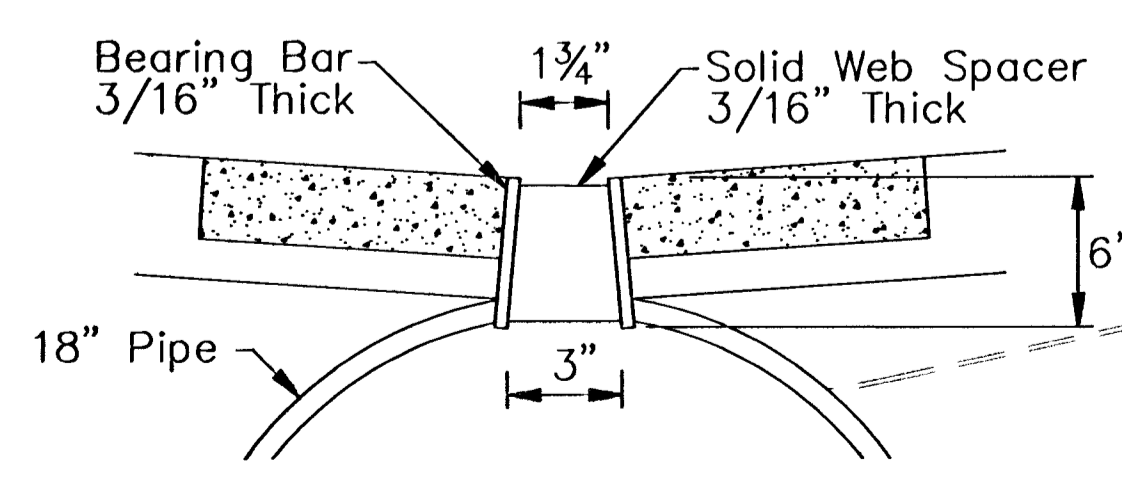
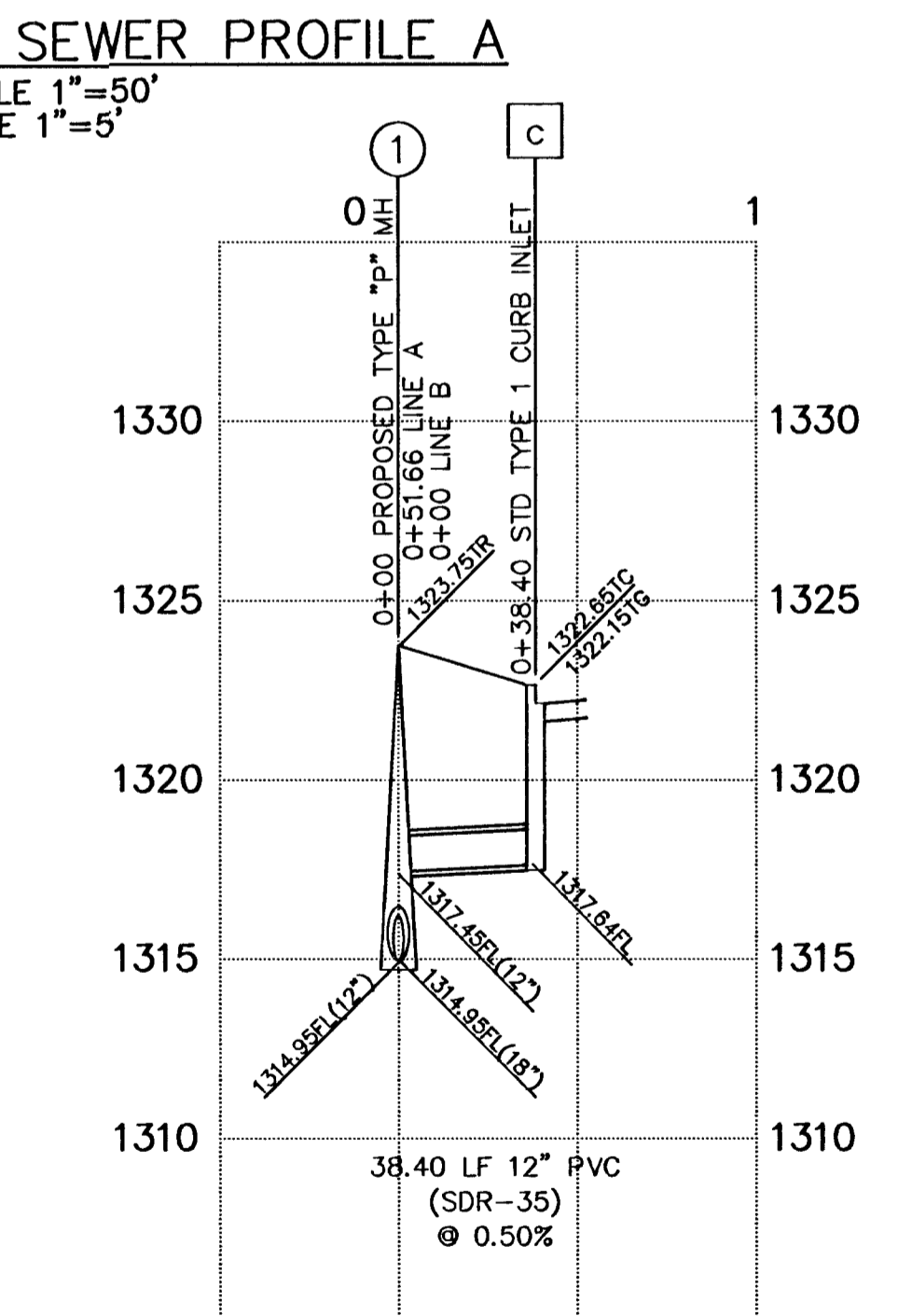
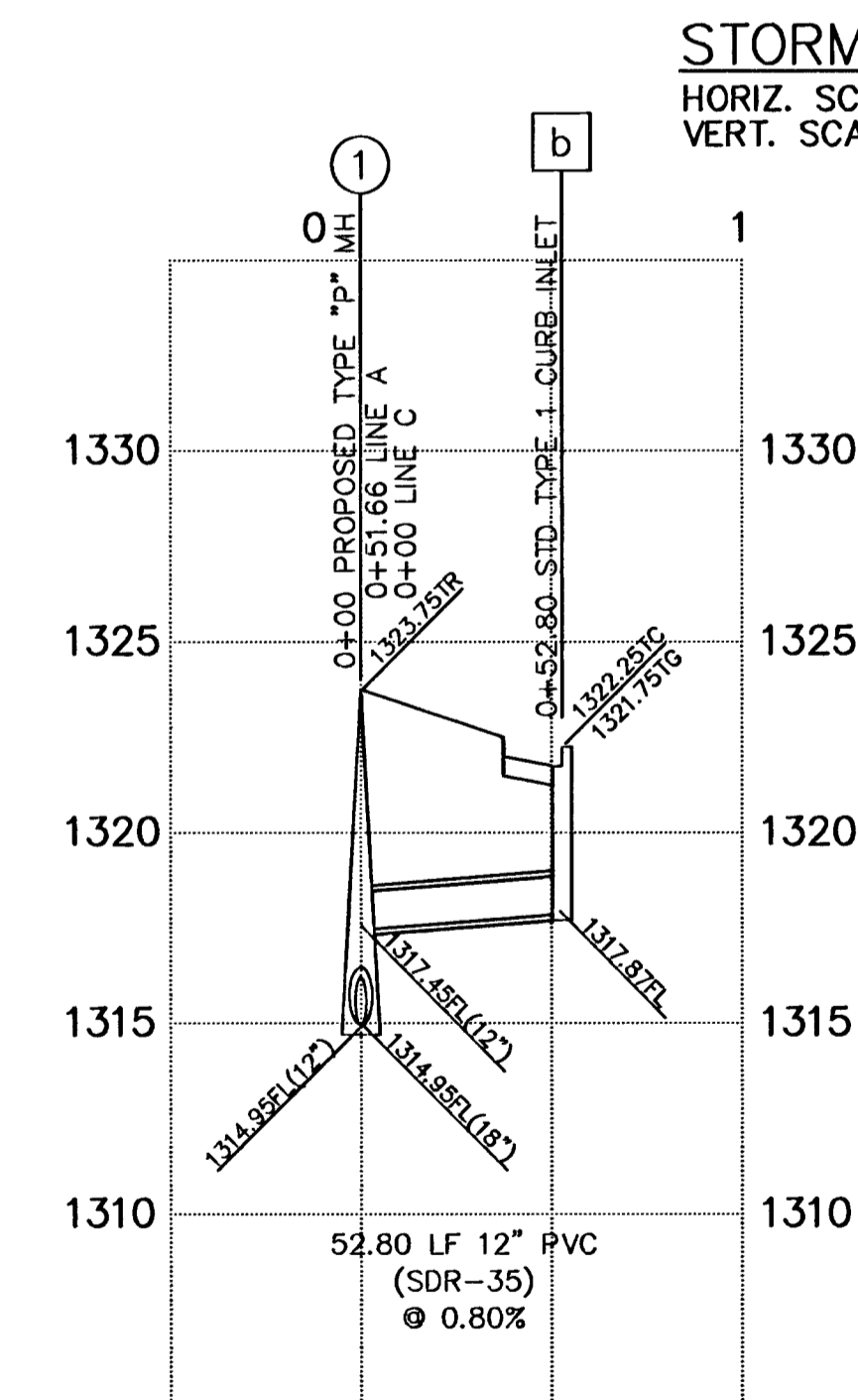
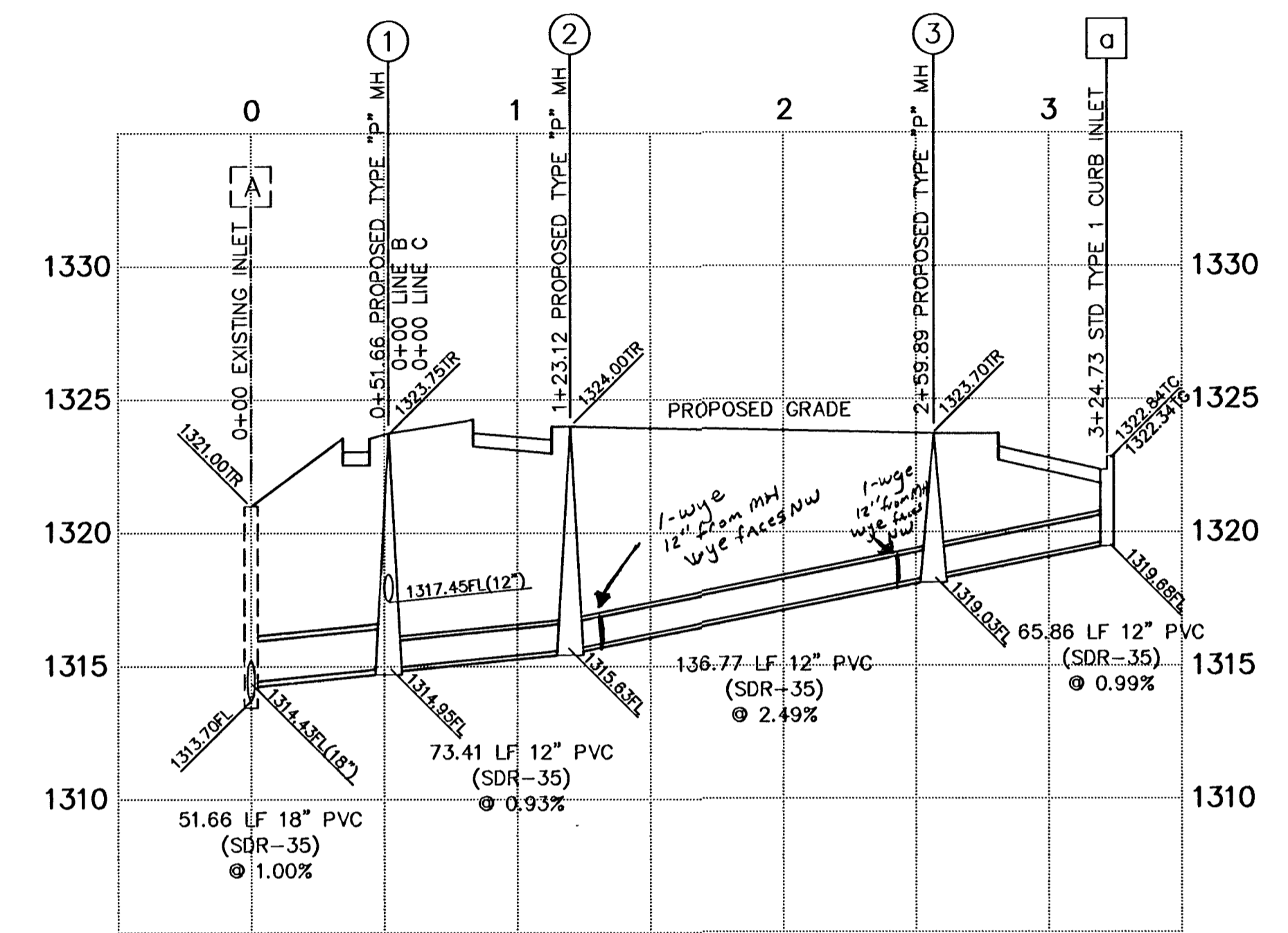


LEGEND

- STORM PIPE (10" AND SMALLER)
- STORM PIPE (12" AND LARGER)
- FD FRENCH DRAIN
- UCP DRAIN UNDER CURB OR PAVEMENT
- MAJOR CONTOUR (NEW)
- MINOR CONTOUR (NEW)
- MAJOR CONTOUR (EXISTING)
- MINOR CONTOUR (EXISTING)

KEY NOTES:

- SLOTTED VANE DRAIN (SEE DETAIL THIS SHEET)



QUICKTRIP #315
SANITARY & STORM SEWER IMPROVEMENTS
STORM SEWER PLAN AND PROFILES
CITY OF WICHITA, KANSAS
JAMES ARMOUR, P.E. - CITY ENGINEER
1711 PPS (607861)

Revision	By	Date	Approved
1	SS	01/19/07	SS
2	SS	01/25/07	SS

POE & ASSOCIATES, INC.
CONSULTING ENGINEERS
5940 E. Central, Suite 200 Wichita, KS 67208-4242
Phone 316/685-4114 FAX 316/685-4444

FINAL

Designed By: HRA
Drawn By: JRB/A. Moss/S. Schmitt
Poe Job No.: 1894/02-315/strom-rev.dwg
Date: 01/19/2007

REVISED 01/25/2007