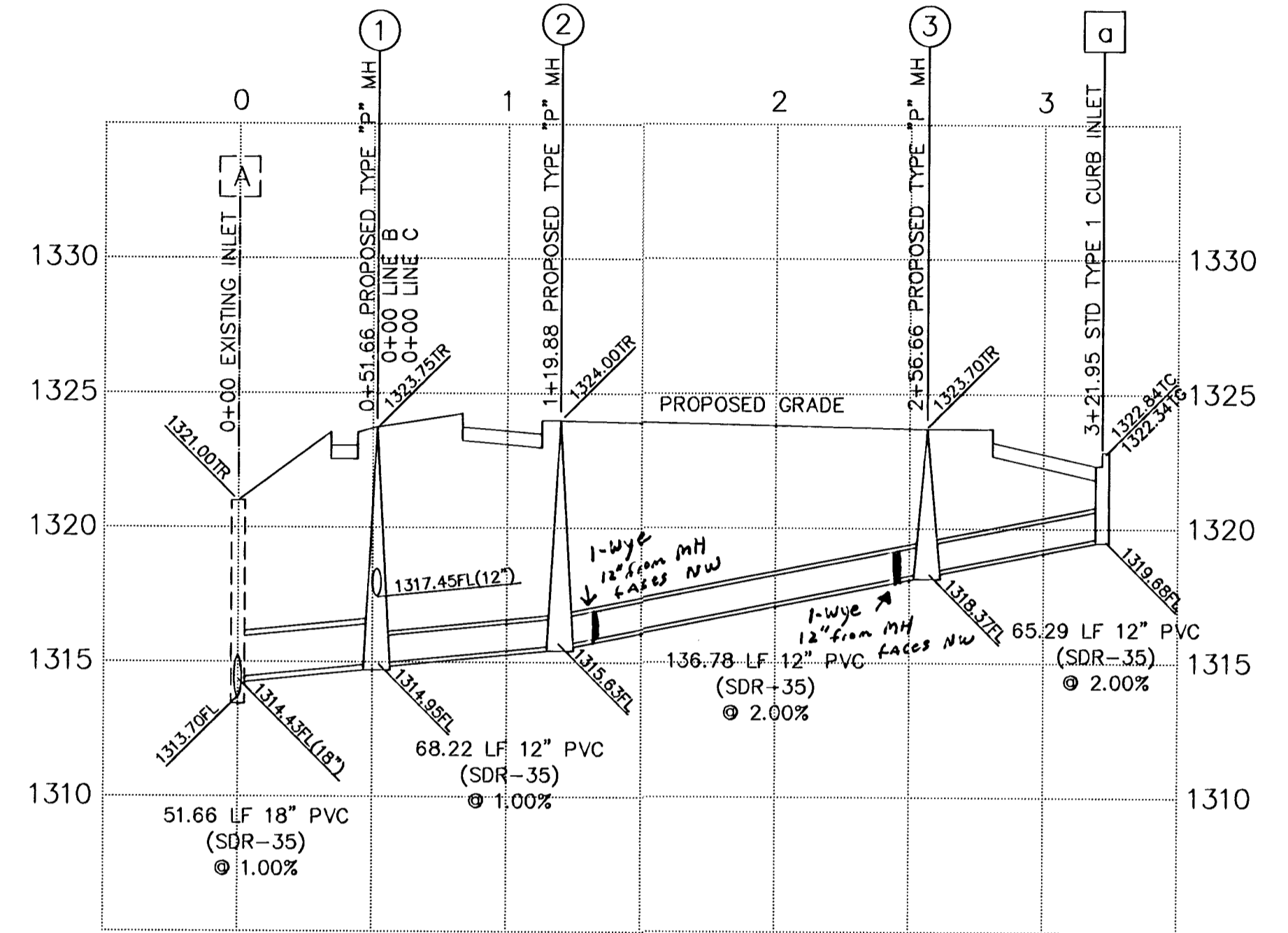
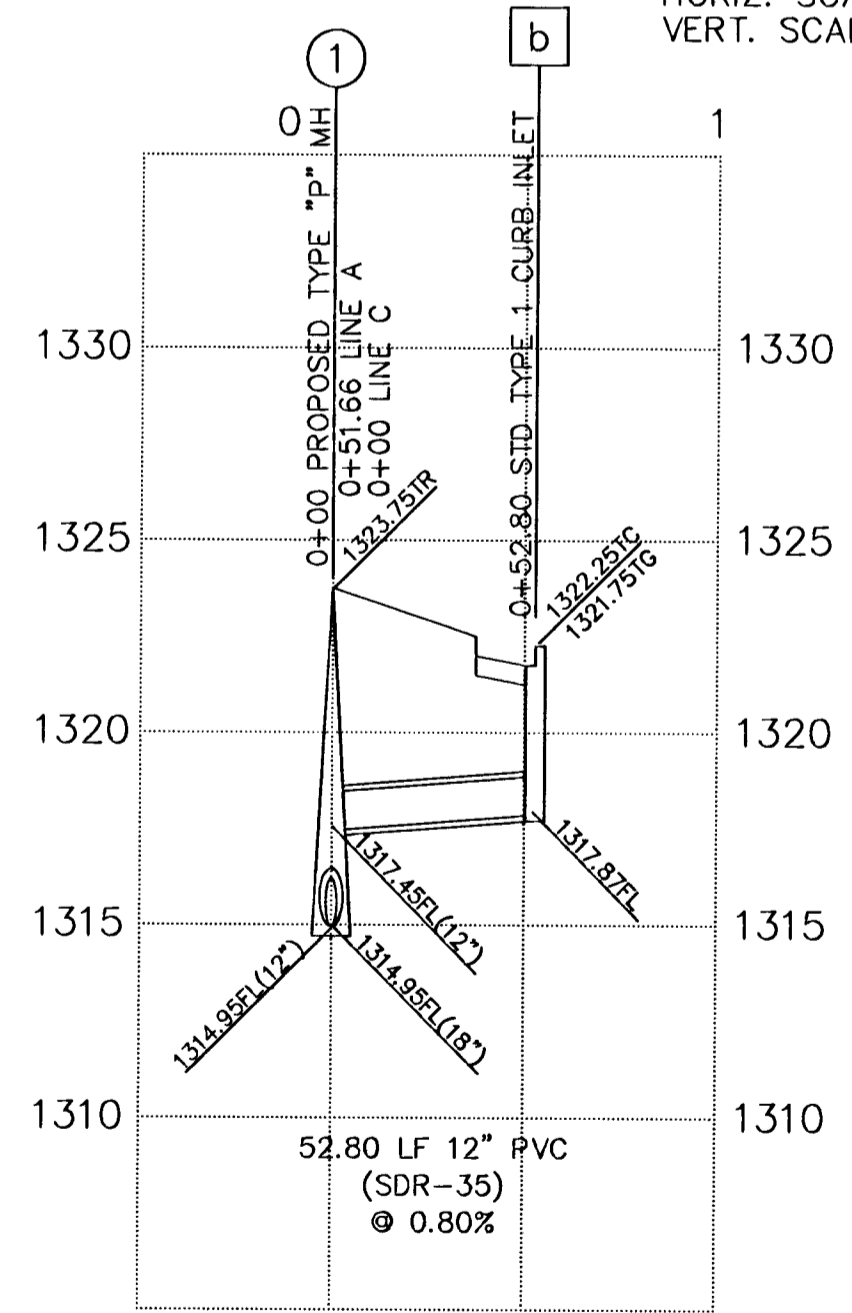


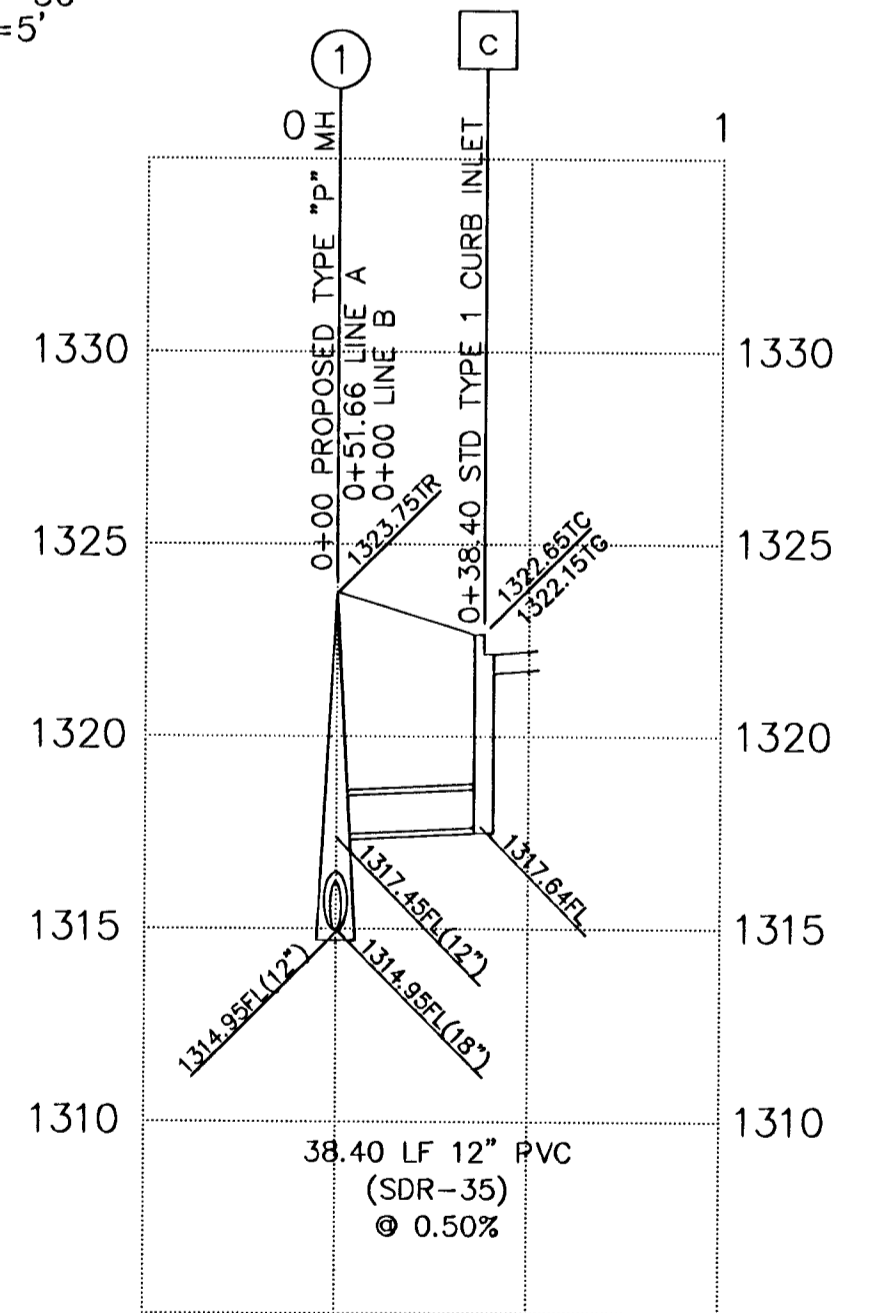
- LEGEND**
- STORM PIPE (10" AND SMALLER)
 - STORM PIPE (12" AND LARGER)
 - FD FRENCH DRAIN
 - UCP DRAIN UNDER CURB OR PAVEMENT
 - MAJOR CONTOUR (NEW)
 - MINOR CONTOUR (NEW)
 - MAJOR CONTOUR (EXISTING)
 - MINOR CONTOUR (EXISTING)
- KEY NOTES:**
- 1 SLOTTED VANE DRAIN (SEE DETAIL THIS SHEET)



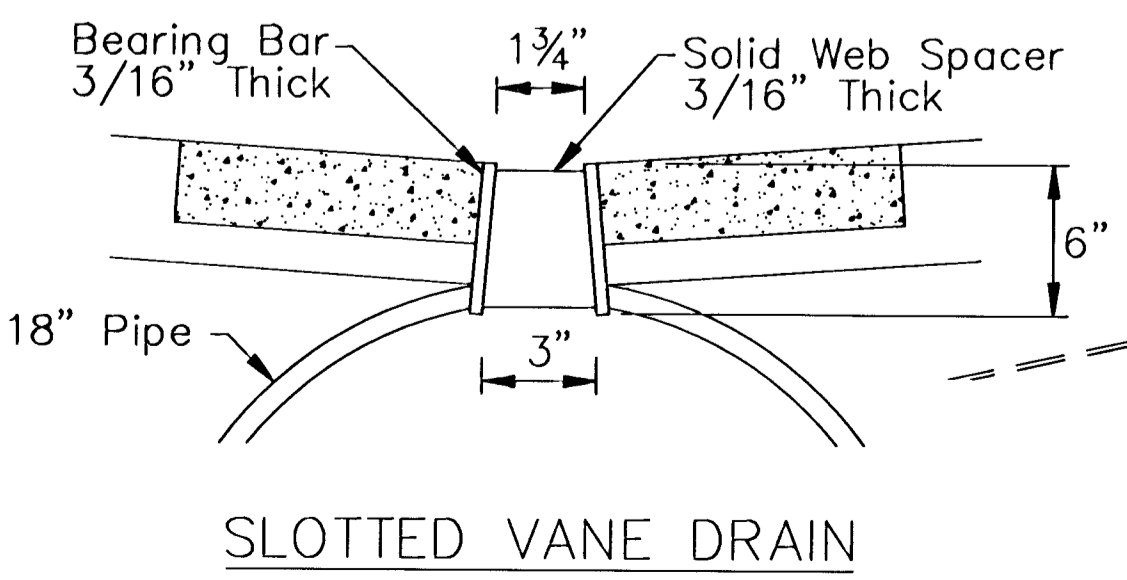
STORM SEWER PROFILE A
 HORIZ. SCALE 1"=50'
 VERT. SCALE 1"=5'



STORM SEWER PROFILE B
 HORIZ. SCALE 1"=50'
 VERT. SCALE 1"=5'



STORM SEWER PROFILE C
 HORIZ. SCALE 1"=50'
 VERT. SCALE 1"=5'



FRONTAGE ROAD OWNED BY THE CITY OF WICHITA

No.	Date	By	Approved	Revision

QUIKTRIP #315
 SANITARY & STORM SEWER IMPROVEMENTS
 STORM SEWER PLAN AND PROFILES
 CITY OF WICHITA, KANSAS
 JAMES ARMOUR, P.E. - CITY ENGINEER
 1711 PPS (607865)

POE & ASSOCIATES, INC.
 CONSULTING ENGINEERS
 5940 E. Central, Suite 200 ■ Wichita, KS 67208-4242
 Phone 316/685-1114 ■ FAX 316/685-4444

FINAL

Designed By: HRA
 Drawn By: JRB/A. Moss
 Poe Job No.: 1894-02
 Date: 10/20/2006