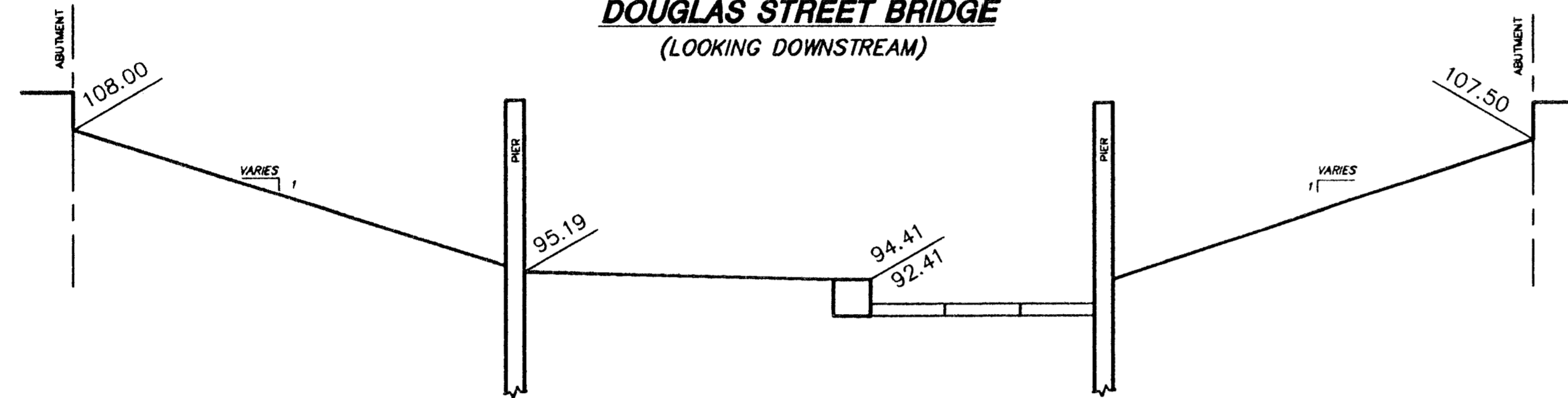
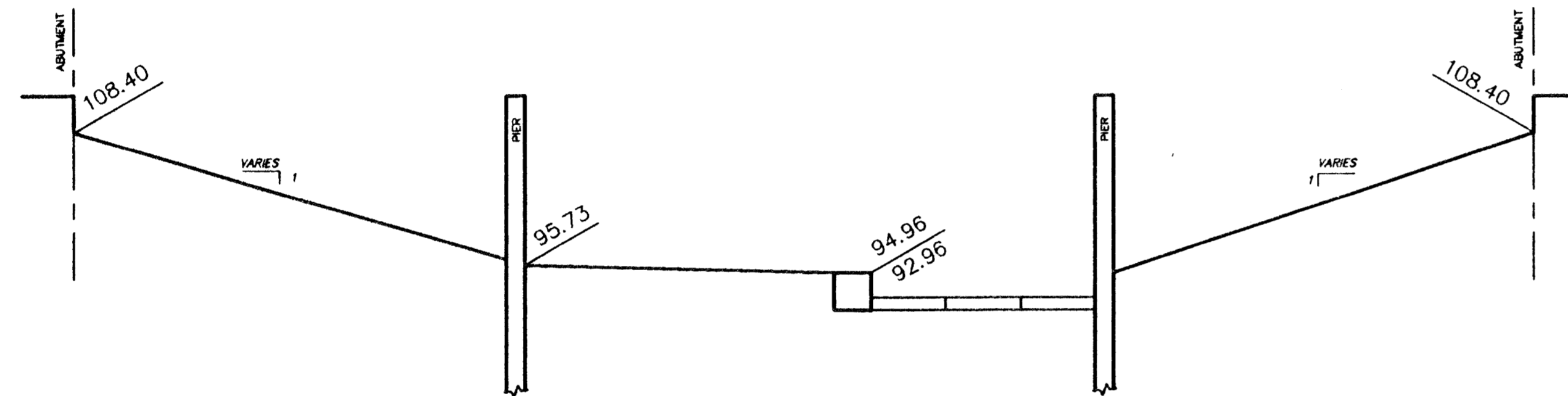


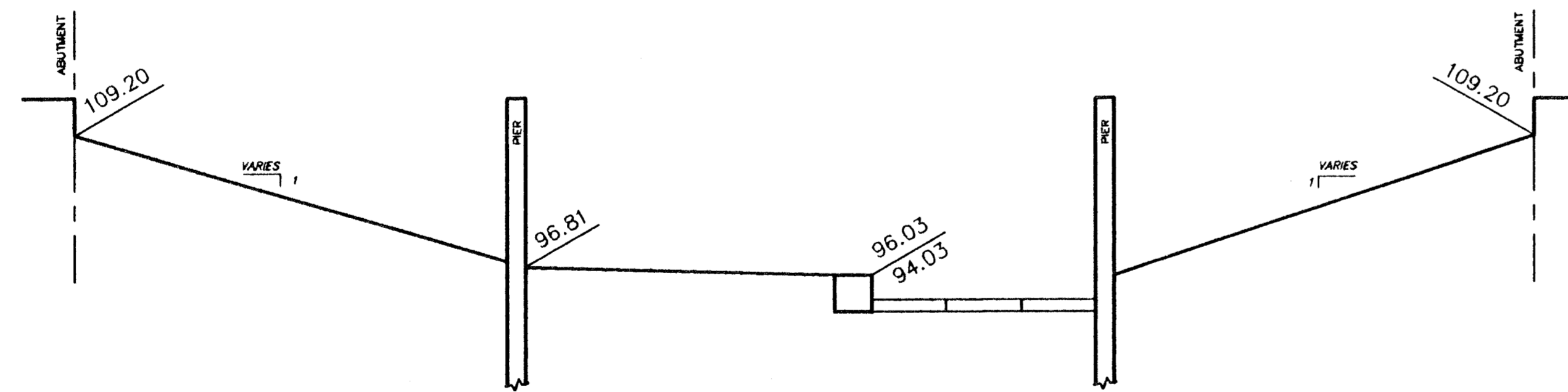
DOUGLAS STREET BRIDGE
(LOOKING DOWNSTREAM)



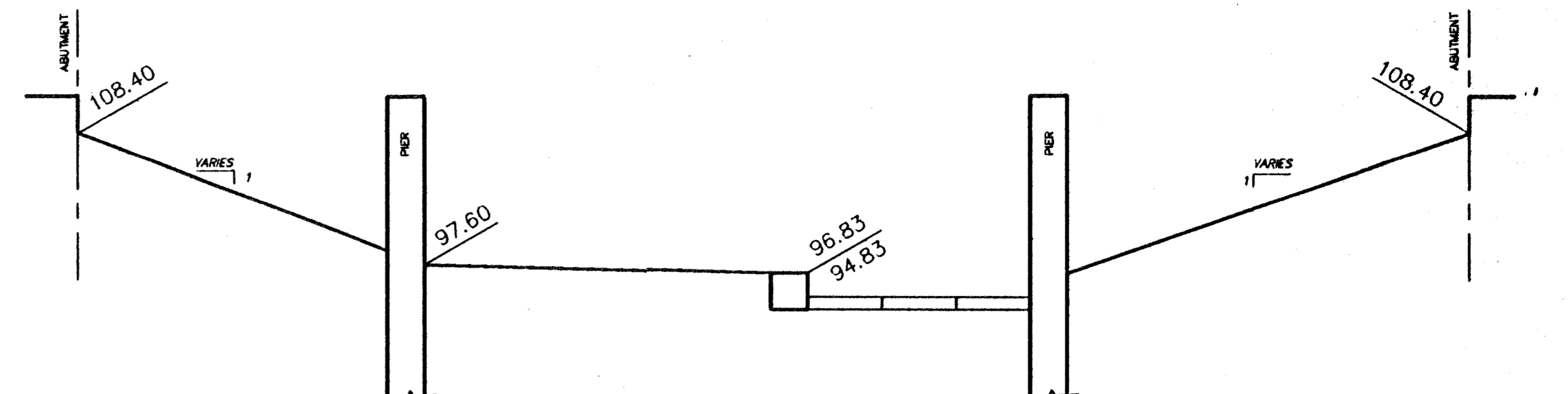
1ST STREET BRIDGE
(LOOKING DOWNSTREAM)



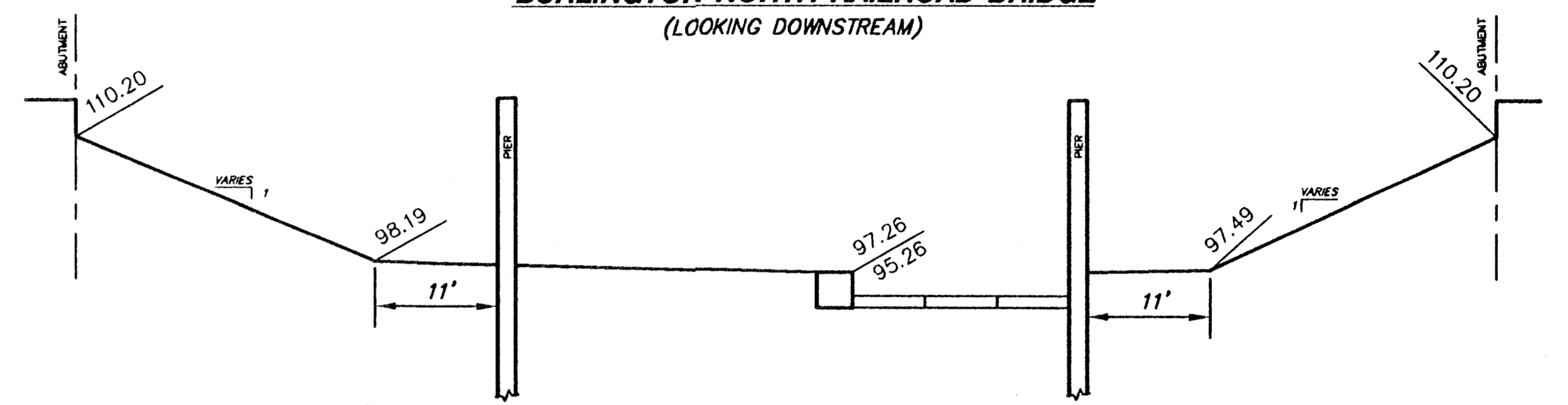
2ND STREET BRIDGE
(LOOKING DOWNSTREAM)



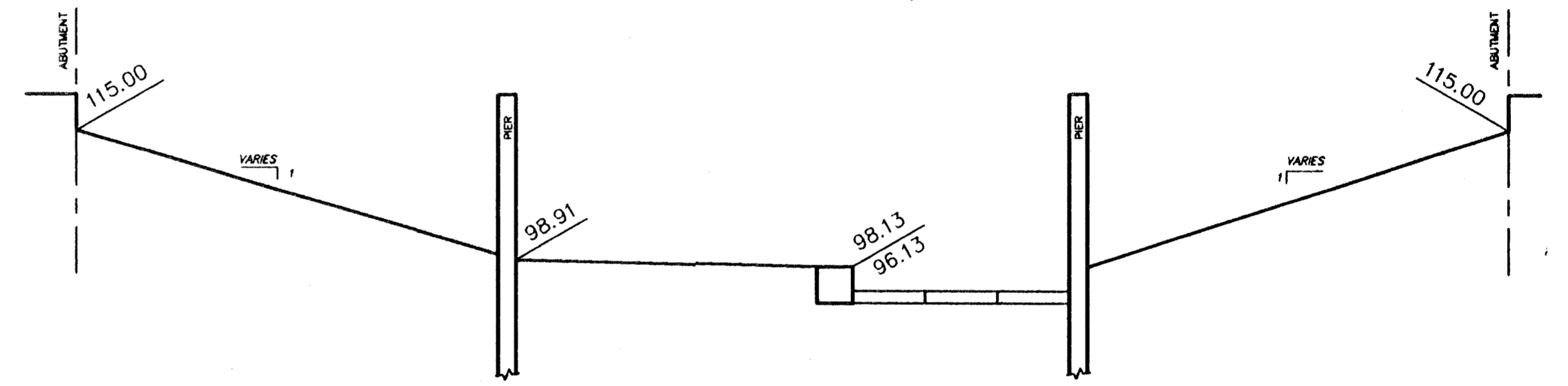
CENTRAL STREET BRIDGE
(LOOKING DOWNSTREAM)



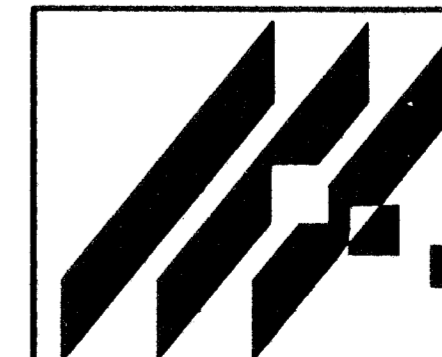
BURLINGTON NORTH RAILROAD BRIDGE
(LOOKING DOWNSTREAM)



MURDOCK STREET BRIDGE
(LOOKING DOWNSTREAM)
(NEW STRUCTURE)



9TH STREET BRIDGE
(LOOKING DOWNSTREAM)



MID-KANSAS ENGINEERING
CONSULTANTS, INC.
411 N. WEBB ROAD
WICHITA, KS. 67206
316-684-9600

AREA "K" PART 2 - PHASE 1
PROJECT NAME

BRIDGE SLOPE PAVING DETAILS
SHEET TITLE

JNJ DESIGN BY.	MLW DRAWN BY.	JNJ CHECKED BY.
FEBRUARY 1999 DATE	94011 JOB NO.	27 / 64 SHEET OF