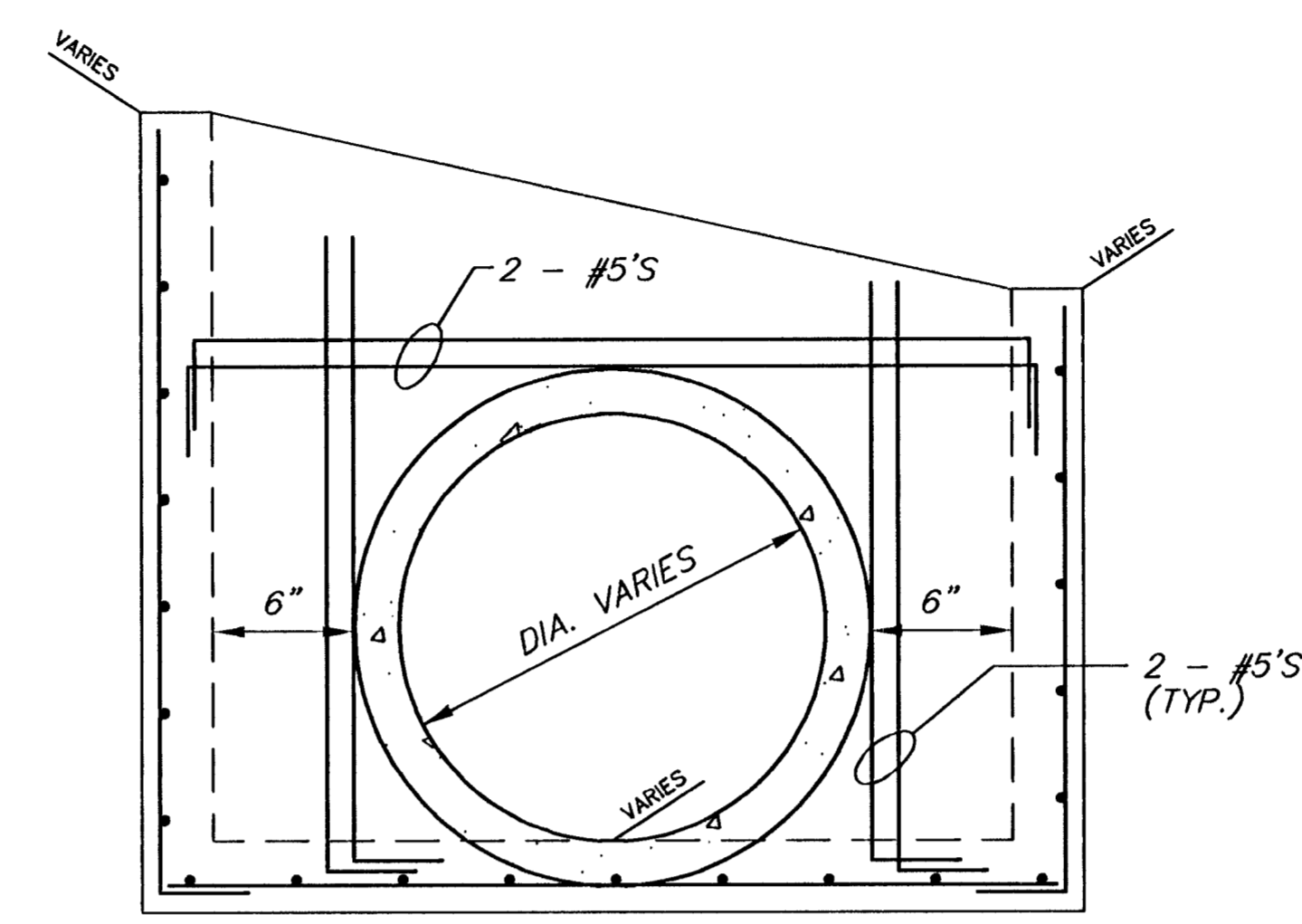
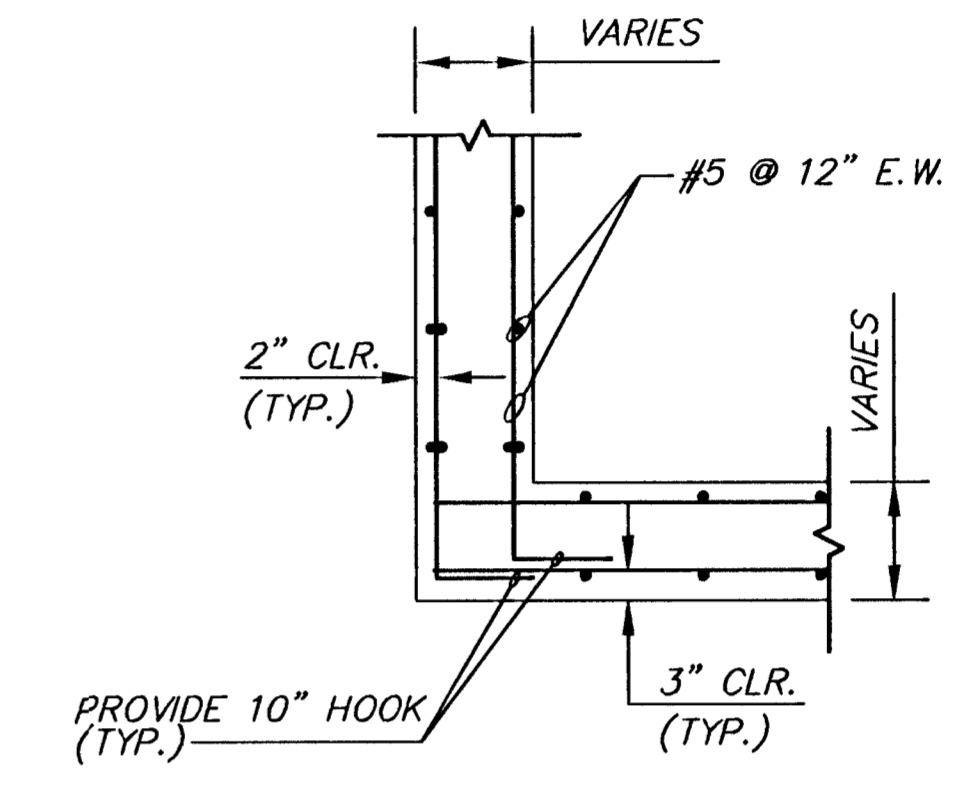


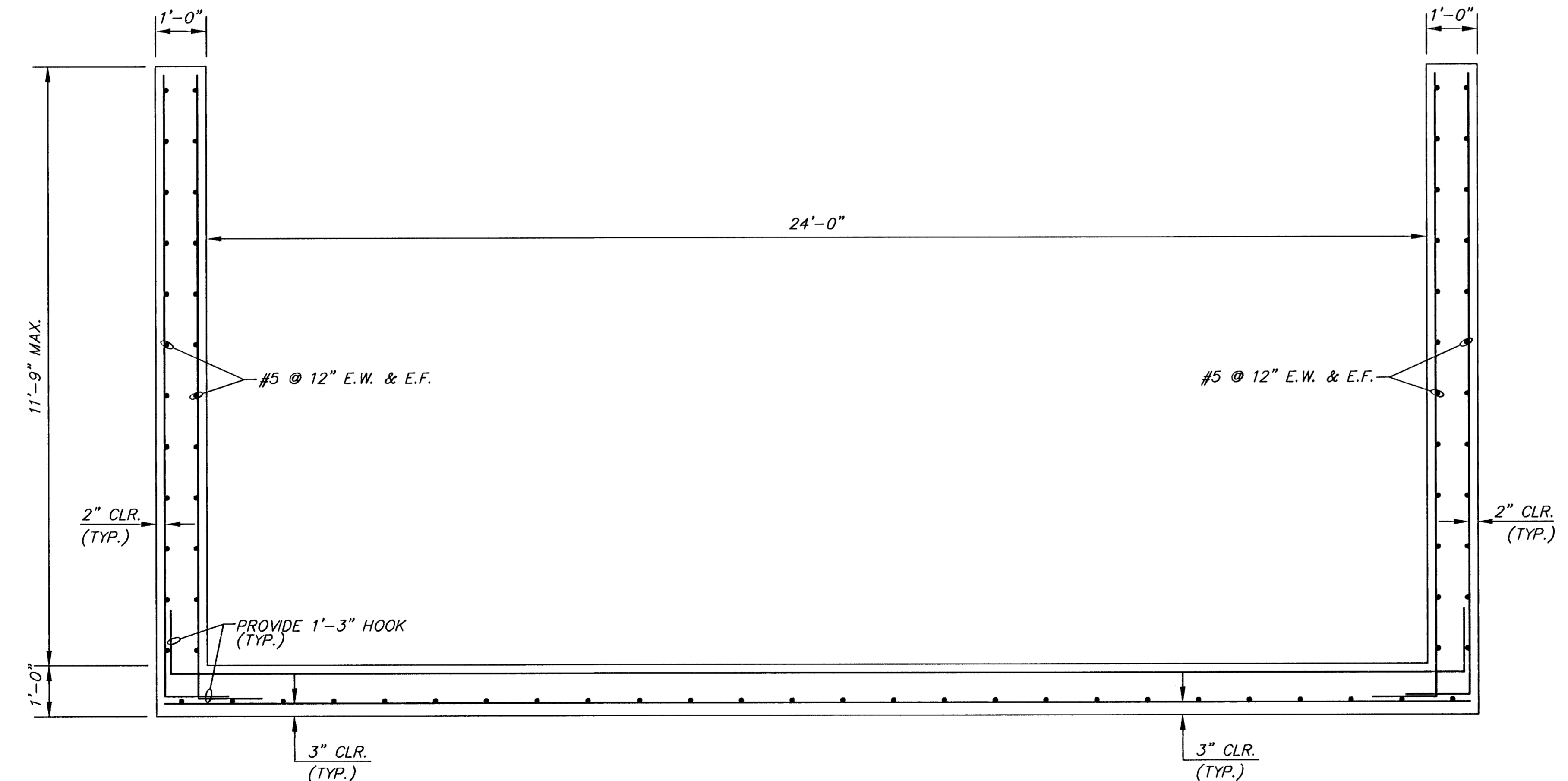
**SECTION**  
**TYPICAL WINGWALL REINFORCING**  
 SCALE: 1/2" = 1'-0"



**SECTION**  
**TYPICAL HEADWALL REINFORCING**  
 SCALE: 1/2" = 1'-0"




**PLAN SECTION**  
**TYPICAL CORNER DETAIL**  
 NOT TO SCALE



**SECTION**  
**FRISCO DITCH - DROP STRUCTURE REINFORCING**  
 SCALE: 1/2" = 1'-0"

G:\CIVIL\AREA\_A\194011\DETAILS\9411D17.DWG 10-22-98 2:28:4 PM EST

|   |   |                  |                     |
|---|---|------------------|---------------------|
| <br>MID-KANSAS ENGINEERING<br>CONSULTANTS, INC.<br>411 N WEBB ROAD<br>WICHITA, KS. 67206<br>316-684-9600 | <b>AREA "K" PART 2 - PHASE 1</b><br><b>WICHITA DRAINAGE CANAL</b><br>PROJECT NAME               |                  |                     |
|   | <b>TYPICAL HEADWALL &amp; WINGWALL</b><br><b>STRUCTURAL REINFORCING SECTIONS</b><br>SHEET TITLE |                  |                     |
|   | KJS<br>DESIGN BY.   | MLW<br>DRAWN BY. | KJS<br>CHECKED BY.  |
|   | OCTOBER 1998<br>DATE  | 94011<br>JOB NO. | 33 / 64<br>SHEET OF |