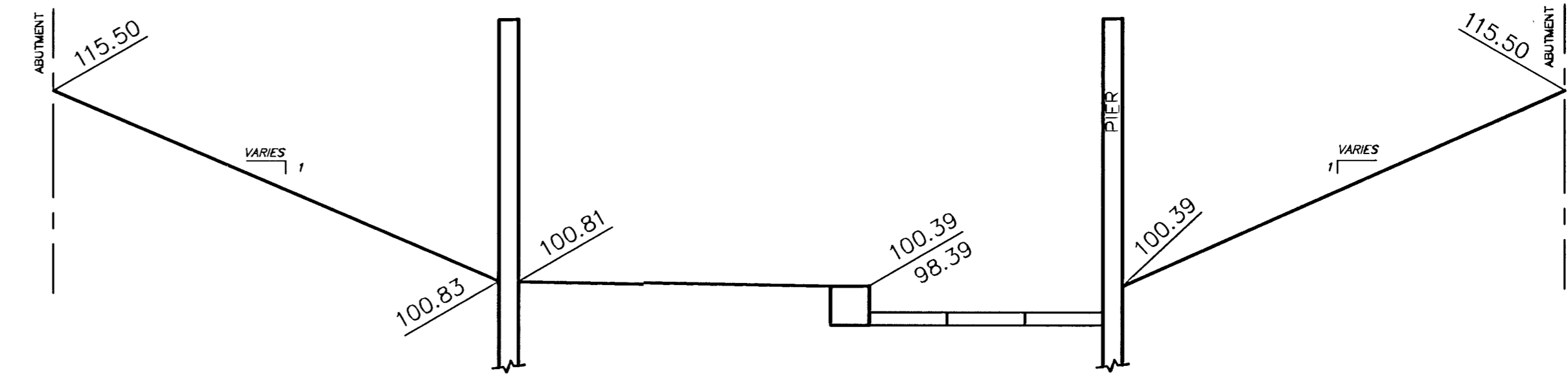
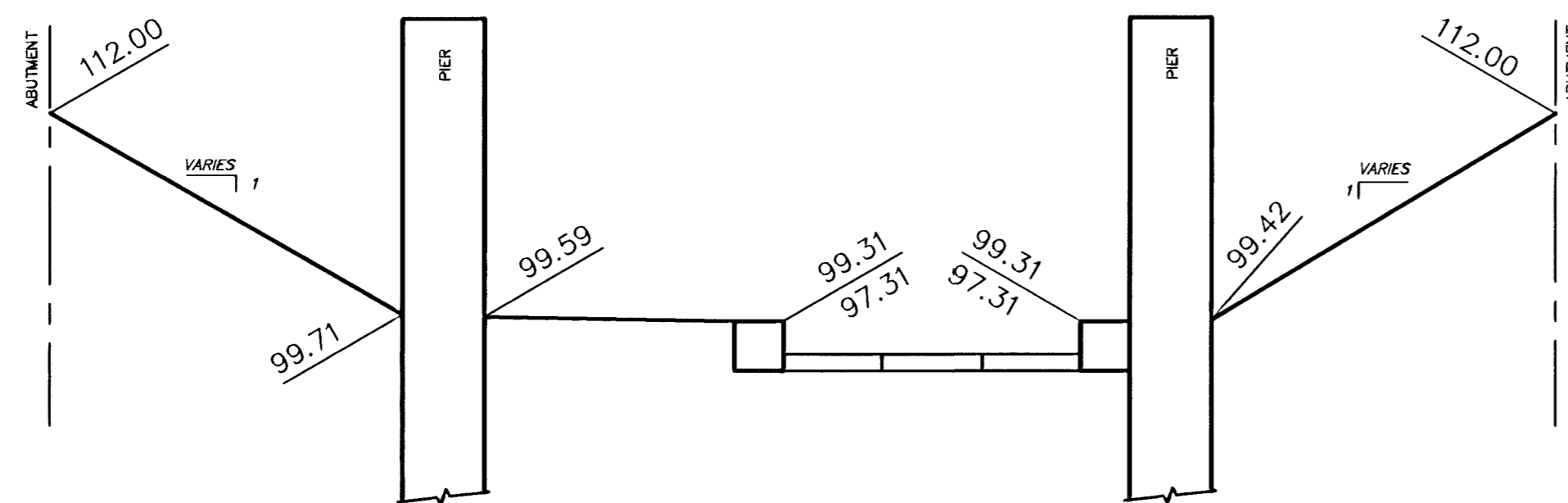


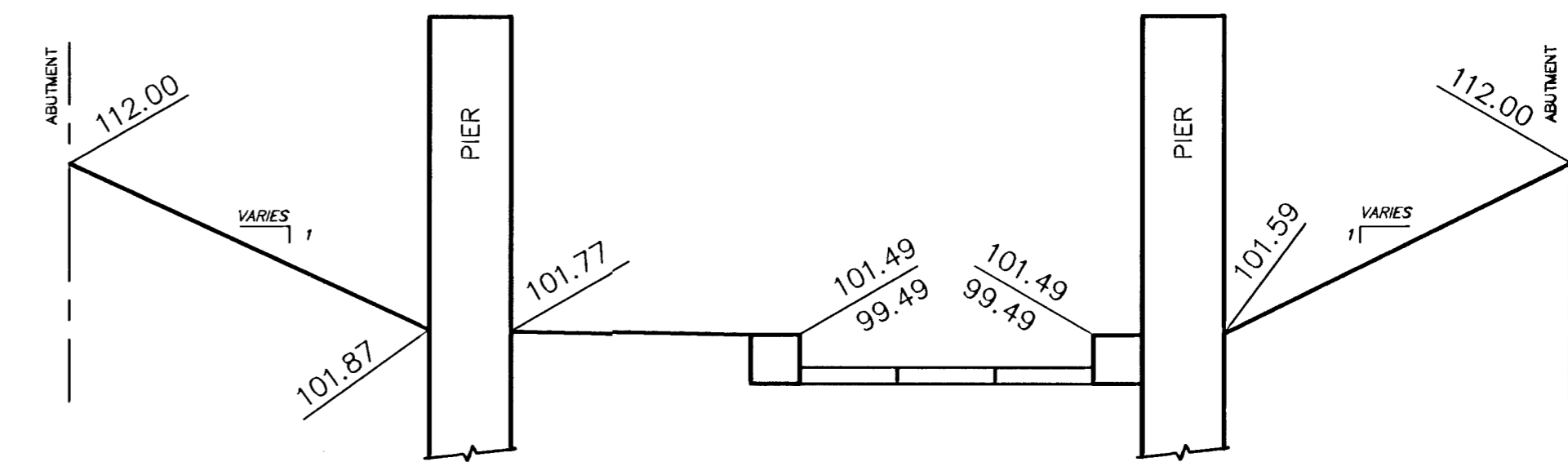
10TH STREET BRIDGE
(LOOKING DOWNSTREAM)
SCALE: NTS



13TH STREET BRIDGE
(LOOKING DOWNSTREAM)
SCALE: NTS



11TH STREET BRIDGE
(LOOKING DOWNSTREAM)
SCALE: NTS



15TH STREET BRIDGE
(LOOKING DOWNSTREAM)
SCALE: NTS



AREA "K" PART 2 - PHASE 2
WICHITA DRAINAGE CANAL
PROJECT NAME
BRIDGE SLOPE PROTECTION
FINISHED ELEVATIONS
SHEET TITLE

JNJ DESIGN BY:	RSB DRAWN BY:	TKM CHECKED BY:
JAN. 2001 DATE	94011 JOB NO.	22 / 47 SHEET / OF