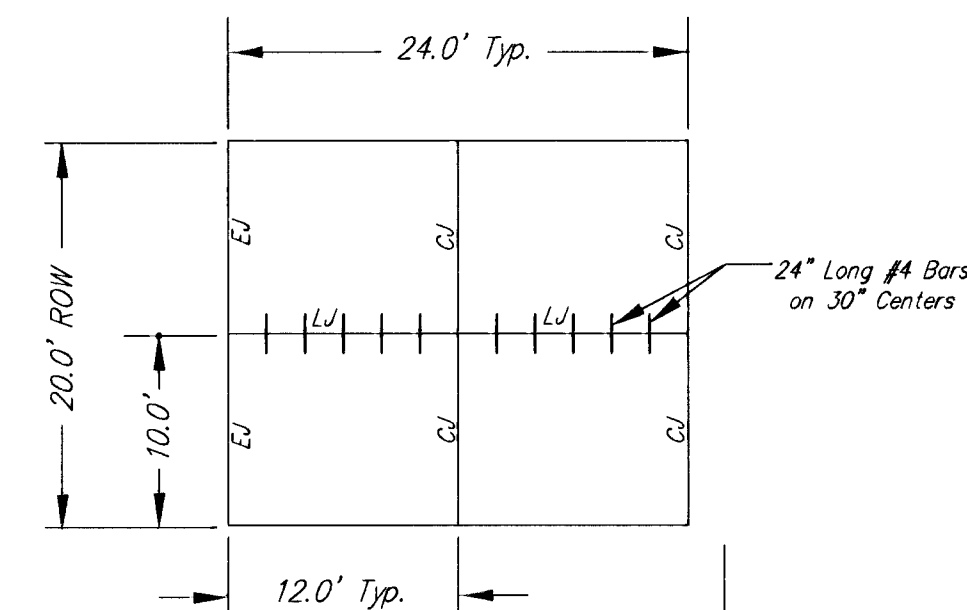
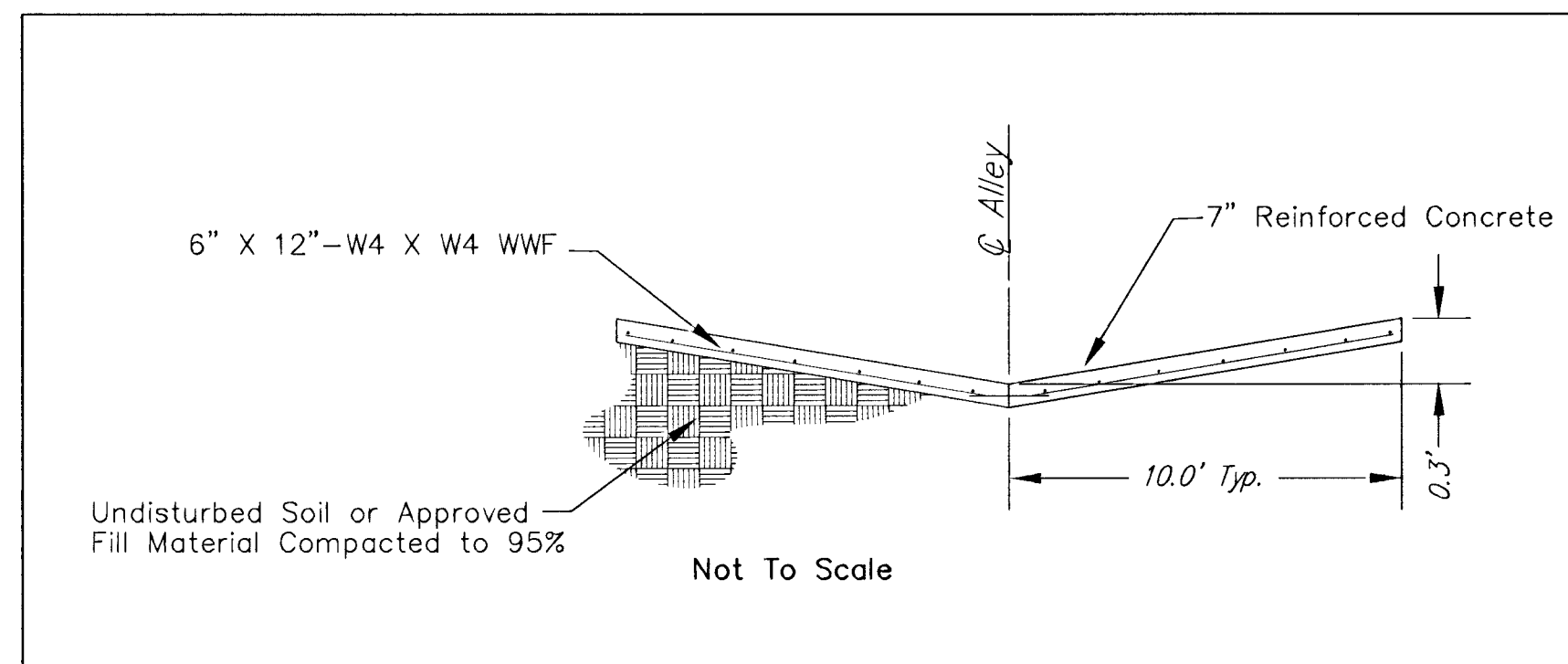


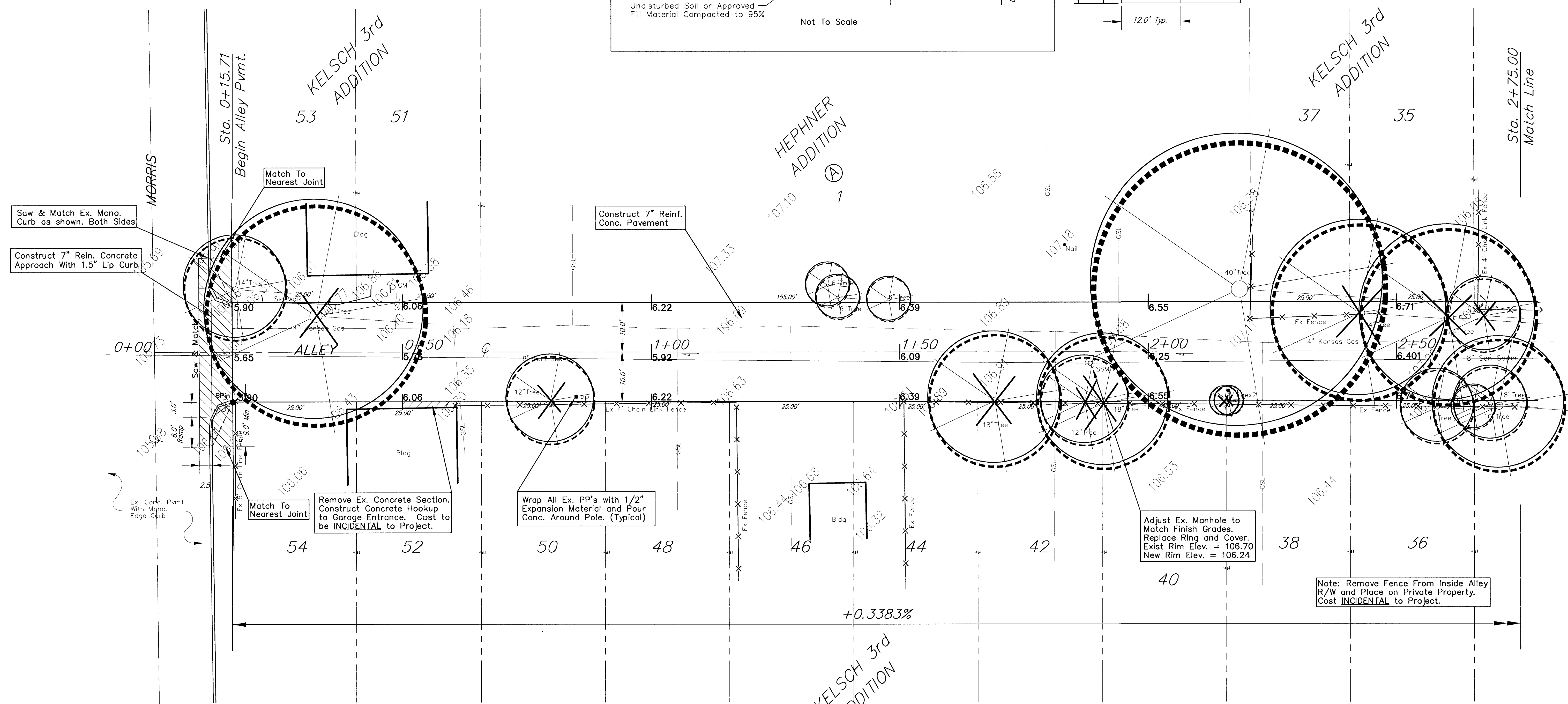
# BENCHMARKS:

BM #1: City of Wichita Disk 175'± South of the Centerlines of Washington & Lincoln  
Elevation = 105.93 City Datum

BM #2: "V" Located at the Intersection of the Centerline of Morris and the Centerline of the Alley  
Elevation = 105.73 City Datum



SCALE: 1" = 10'



NOTE:  
Trees/Shrubs to be removed are marked thus:

PROJECT NUMBER 472 83284		SHEET NAME pav01		ENGINEERING DIRECTORY E:\Eng\Washalley	
DESIGN JFB/KK	DRAWN AZIERE	APPROVED	DATE March 2001	SCALE Noted	BAUGHMAN NO 00-11-E849

CAPITAL IMPROVEMENT PROJECT  
**Washington Alley Improvements**  
From Morris to Gilbert

	<b>BAUGHMAN COMPANY, P.A.</b>		SHEET 2
	ENGINEERING, SURVEYING, & PLANNING		OF 5
316-262-7271		315 ELLIS	WICHITA, KANSAS 67211