

STATION 0+00, LINE 1  
INSTALL END SECTION. PLACE  
22 SQ. YDS. LIGHT STONE RIP-RAP  
AS INDICATED. REGRADE POND  
BOTTOM AS NECESSARY TO ALLOW  
STORM SEWER CONSTRUCTION.

STATION 0+76.0, LINE 1  
CONSTRUCT SHALLOW MANHOLE  
(5' DIA.) TOP ELEV. 1335.7

GRADE EASEMENT TO ALLOW SUMP  
TO OVERFLOW TO EXISTING LAKE.  
SEED, FERTILIZE AND MULCH  
EASEMENT PER CITY SPECIFICATIONS.

STATION 2+23.0, LINE 1  
STREET STA. 18+99.3, 18.8' RT.  
CONSTRUCT TYPE 1A INLET  
L = 15' W = 5'  
TOP ELEV. 1340.50

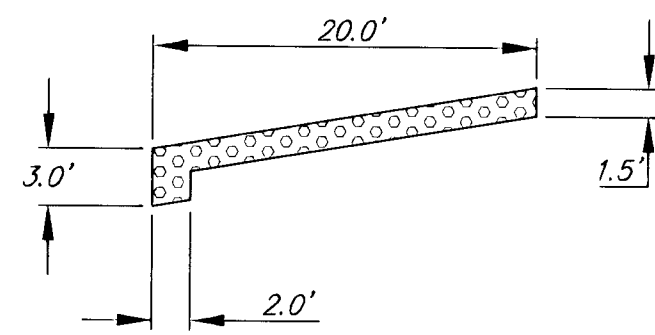
STATION 2+65.6, LINE 1  
STREET STA. 19+00.5, 19.4' LT.  
CONSTRUCT TYPE 1A INLET  
L = 10' W = 5'  
TOP ELEV. 1340.50

STATION 5+37.1, LINE 1  
CONSTRUCT SHALLOW MANHOLE (5' DIA.)  
W/ BEEHIVE FRAME & GRATE  
TOP ELEV. 1337.50

STATION 3+97.1, LINE 1  
CONSTRUCT SHALLOW MANHOLE (5' DIA.)  
W/ BEEHIVE FRAME & GRATE  
TOP ELEV. 1337.50

Subdivision Bench Marks

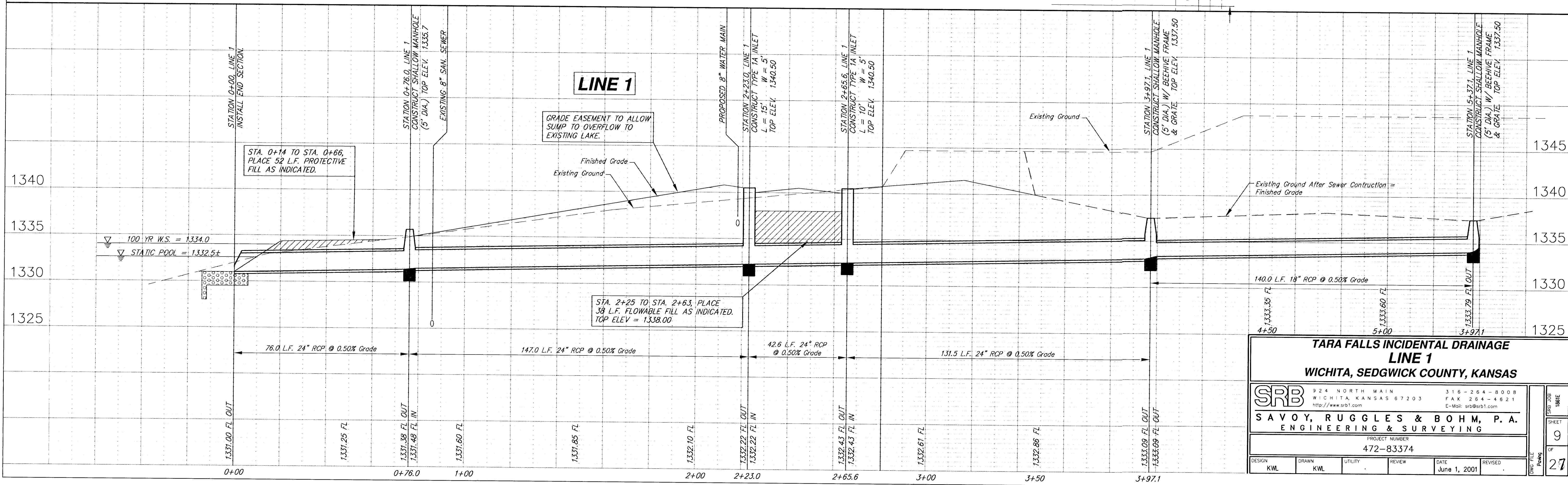
No.	Street and Station	From CL	Description	Elevation
1	Michelle, Sta. 7+34	14.50' Rt	1' in top of curb, East side of Michelle, between Lots 8 & 9.	1330.50
2	Michelle Ct, Sta. 2+05	14.50' Rt	1' in top of curb, East side of Michelle Ct, between Lots 12 & 13.	1331.36
3	Michelle Ct, Sta. -0+35	0' Rt	1' in T.C., end of Cul-de-sac on Michelle Ct, between Lots 16 & 17.	1334.53



LIGHT STONE RIP-RAP DETAIL

NOTE: STATIONS INDICATED ON PLAN INDICATE STATION AT MIDDLE OF INSIDE FACE OF INLET, UNLESS OTHERWISE NOTED.

SCALE  
1" = 20' Horiz. (Plan & Profile)  
1" = 5' Vert. (Profile)



**TARA FALLS INCIDENTAL DRAINAGE  
LINE 1  
WICHITA, SEDGWICK COUNTY, KANSAS**

**SRB**  
924 NORTH MAIN WICHITA, KANSAS 67203  
316-264-8008 FAX 264-4621  
http://www.srb1.com E-Mail: srb@srb1.com

**SAVOY, RUGGLES & BOHM, P.A.  
ENGINEERING & SURVEYING**

PROJECT NUMBER  
472-83374

DESIGN KWL	DRAWN KWL	UTILITY	REVIEW	DATE June 1, 2001	REVISED
---------------	--------------	---------	--------	----------------------	---------

PREP. JOB: 108RE  
SHEET: 9  
OF: 27