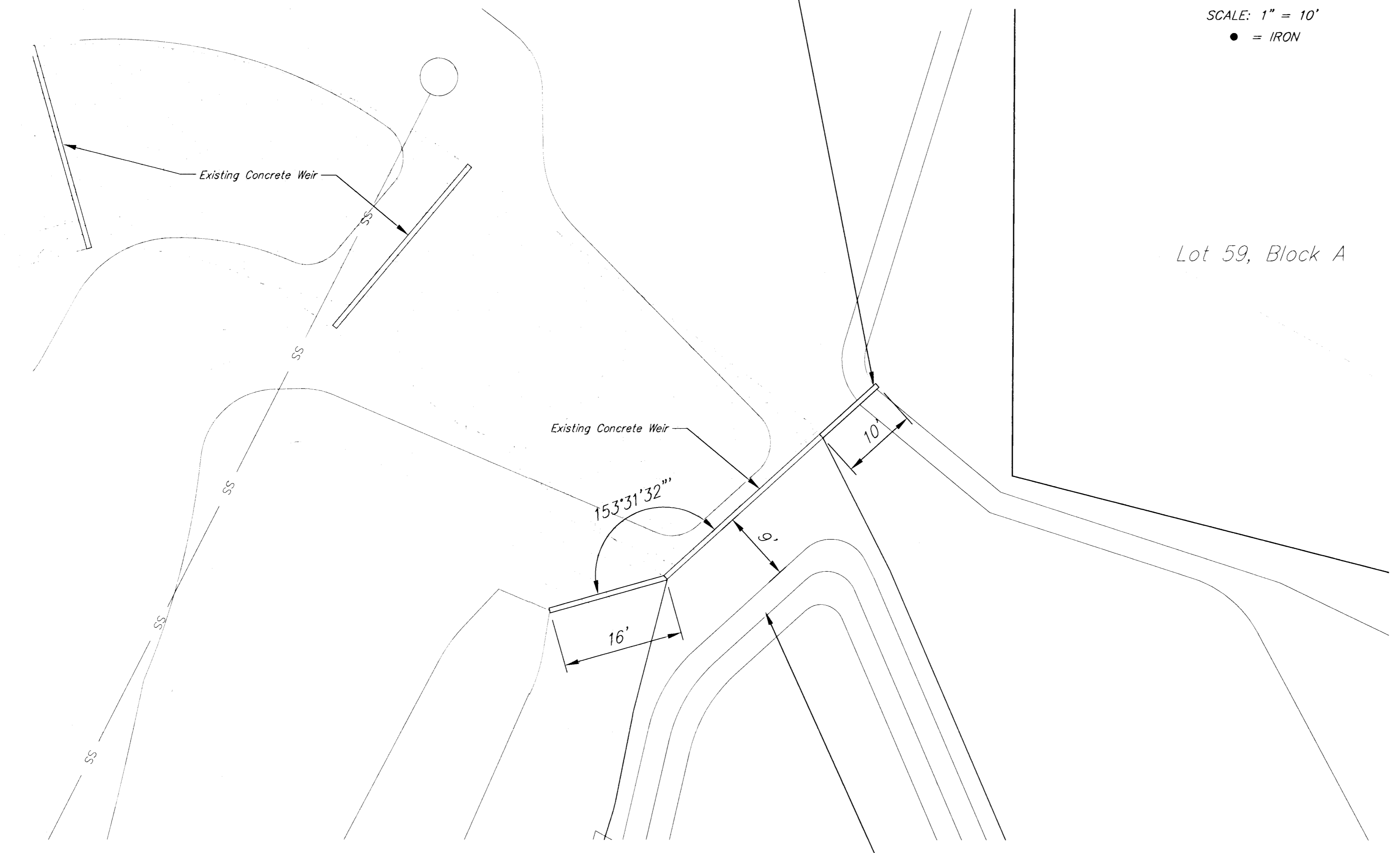


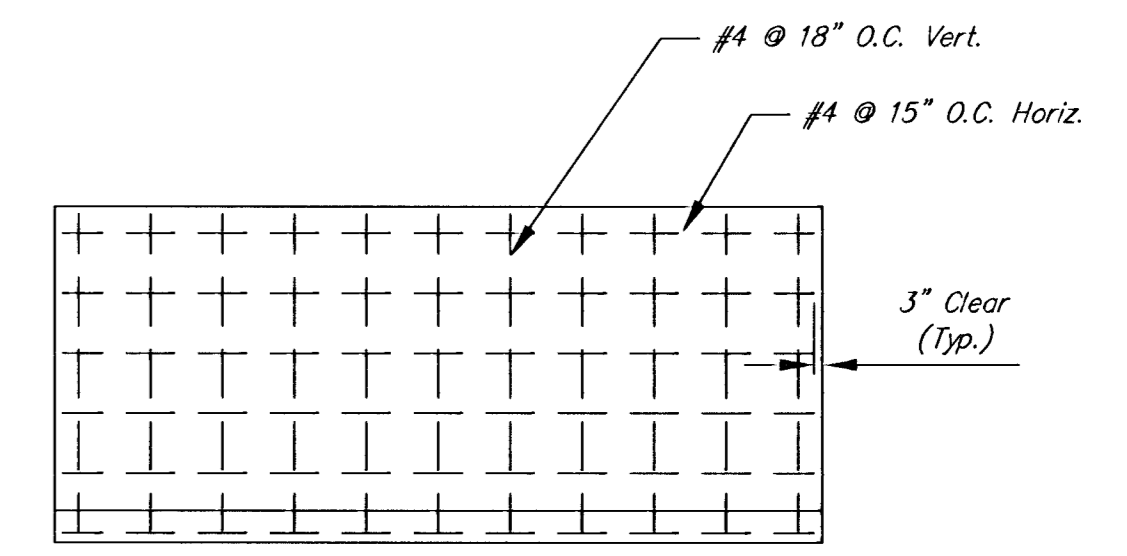
CONSTRUCT RETAINING WALLS AS INDICATED.  
PLACE COMPACTED FILL AT 95% STANDARD  
DENSITY TO MATCH TOP OF NEW WALL.

SRB  
SCALE: 1" = 10'  
● = IRON

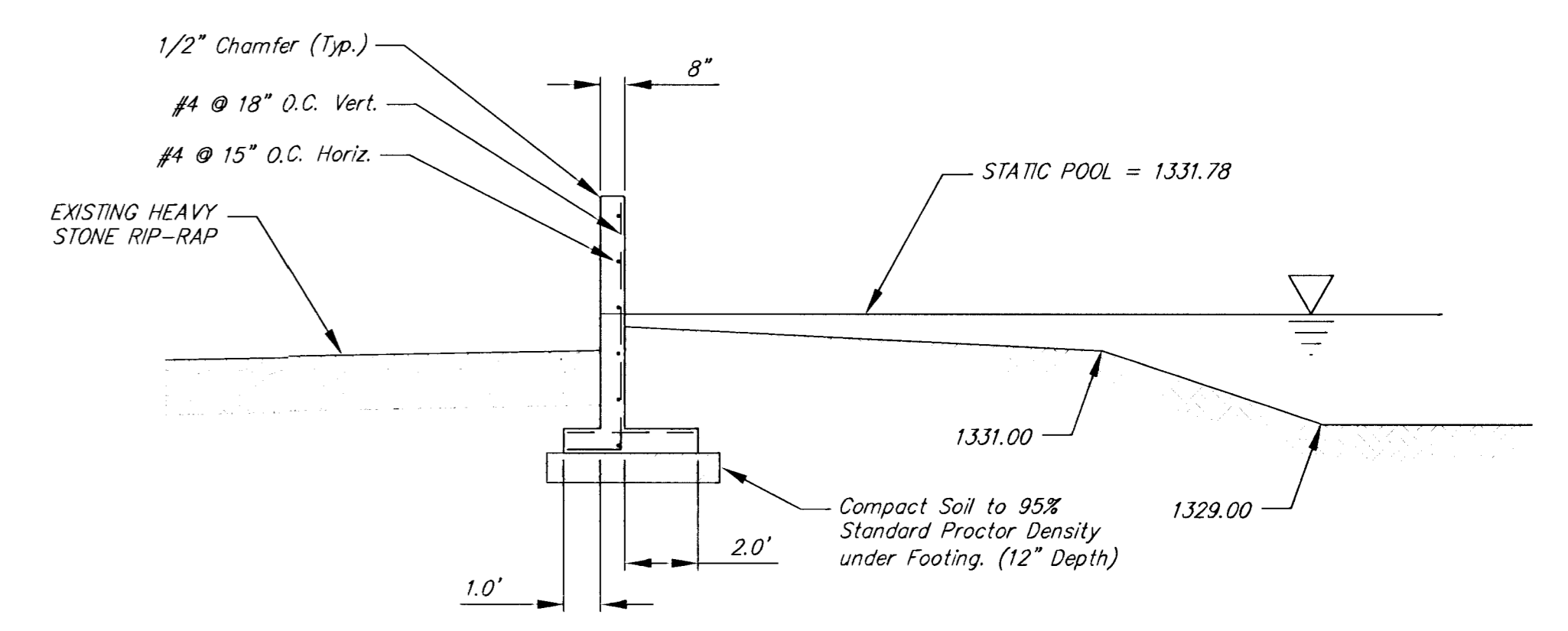


Lot 59, Block A

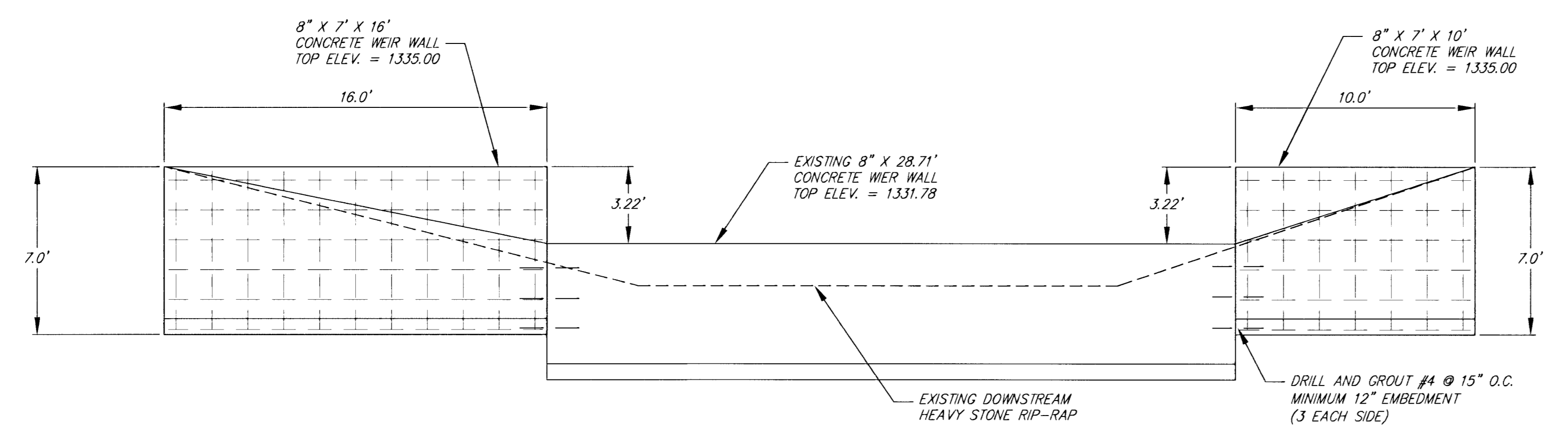
GRADE CHANNEL AS INDICATED ON SHEET 12.  
MAINTAIN 9' OF NATIVE MATERIAL BEHIND  
EXISTING RETAINING WALL. GRADE LAST 9' OF  
CHANNEL TO 6" BELOW TOP OF WALL.



REBAR TO BE SET 2" CLEAR FROM FACE OF CONCRETE



CONCRETE USED IN RETAINING WALLS SHALL CONFORM TO  
THE REQUIREMENTS FOR CONCRETE PAVEMENT CONSTRUCTION  
AS SPECIFIED IN THE CITY STANDARD PAVING SPECIFICATIONS,  
USING CITY CONCRETE PAVEMENT MIX WITHOUT AIR  
ENTRAINING ADMIXTURE.



**TARA FALLS PHASE 2 PAVING  
CONCRETE WEIR DETAILS  
WICHITA, SEDGWICK COUNTY, KANSAS**

<b>SRB</b>	924 NORTH MAIN WICHITA, KANSAS 67203 www.srb1.com	316-264-8008 FAX 264-4621 E-mail: srb@srb1.com
	SAVOY, RUGGLES & BOHM, P. A. ENGINEERING & SURVEYING	
PROJECT NUMBER <b>472-83374</b>		
DESIGN KWL	DRAWN KWL	DATE June 1, 2001

SHEET  
**13**  
OF  
**27**

SRB JOB  
1861E