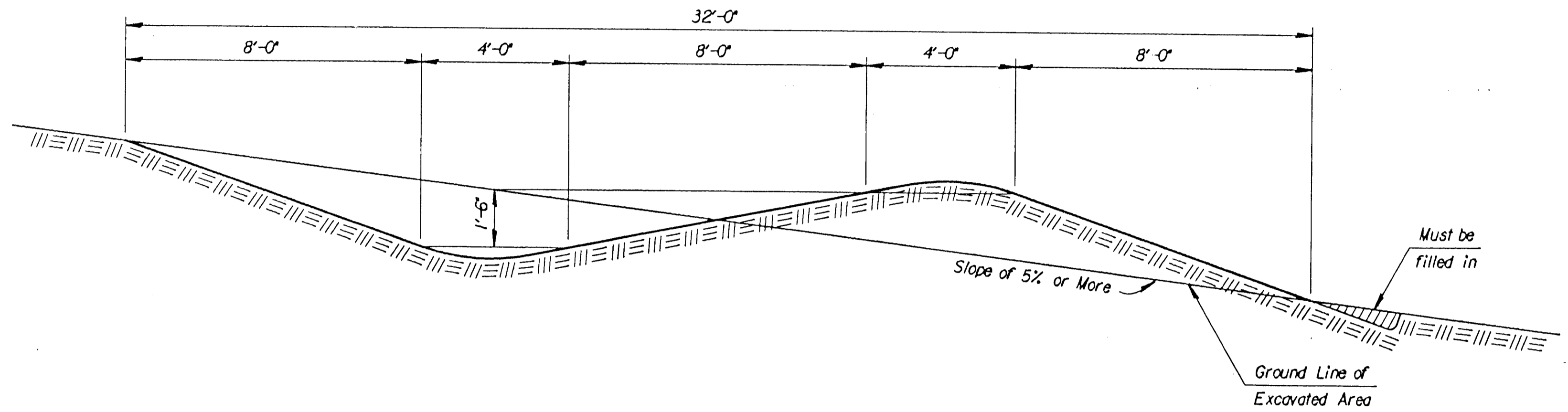
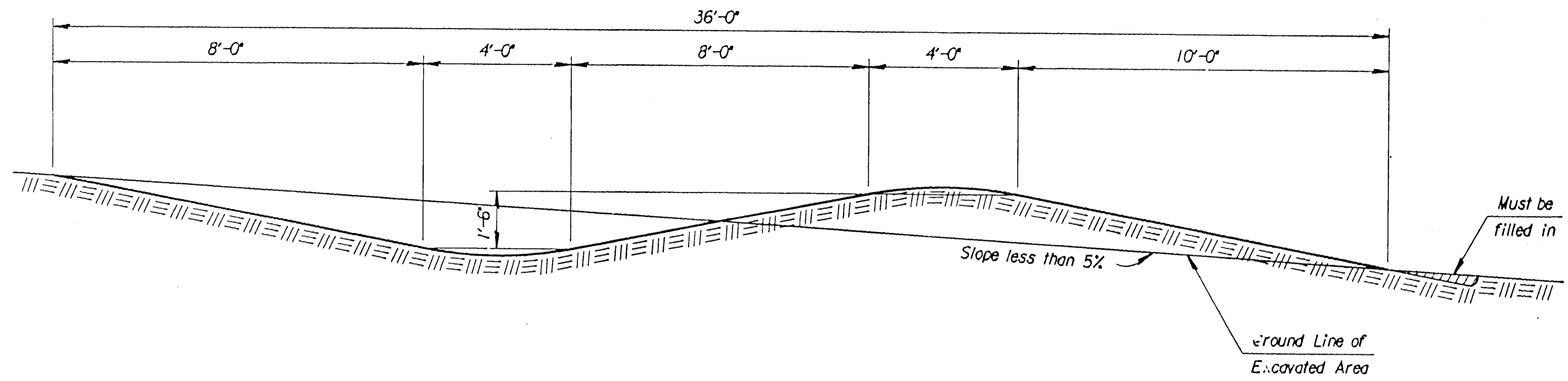
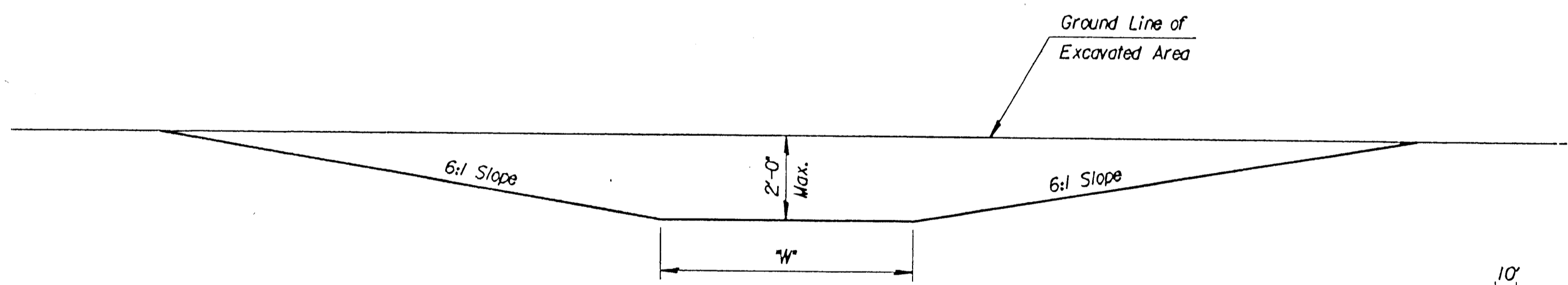


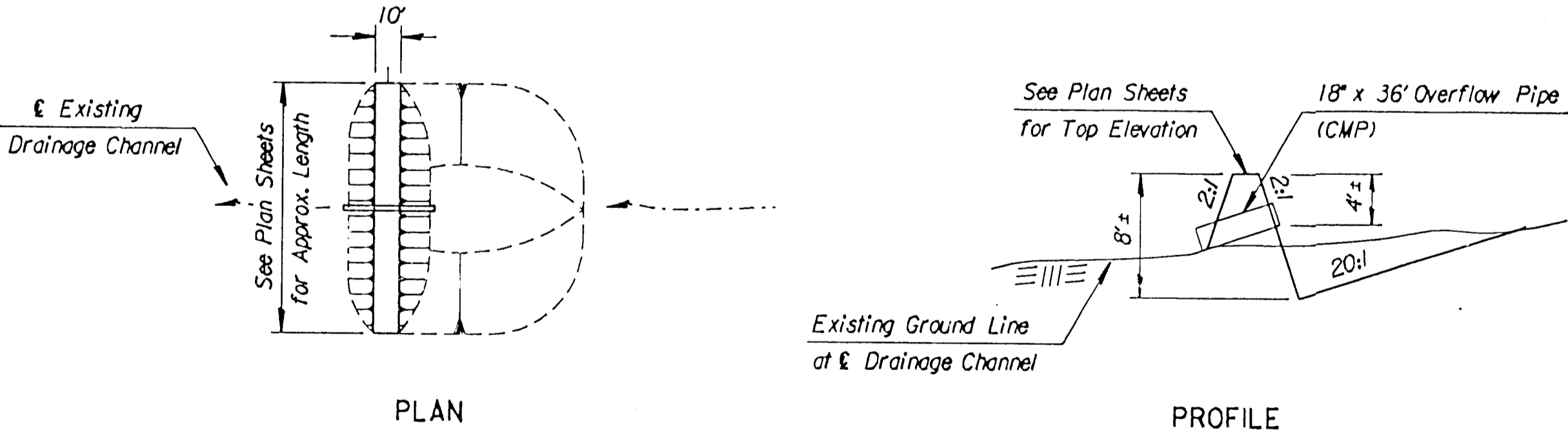
Slope %	Vertical Interval Feet	Horizontal Spacing Feet
1	2.65	265
2	3.30	165
3	3.95	132
4	4.60	115
5	5.25	105
6	5.90	98
7	6.55	94
8	7.20	90



TYPICAL SECTIONS OF GRADIENT TERRACES



TYPICAL SECTION OF OUTLET DITCH



TEMPORARY SEDIMENT BASIN

NOTE:
 Temporary Sediment Basins shall be constructed at locations indicated in the plans or as directed by the Engineer. All work and materials necessary for the construction of Temporary Sediment Basins shall be paid for as the bid item "Temporary Sediment Basin". The 18" (inch) x 36' (foot) overflow pipe will be subsidiary to the bid item "Temporary Sediment Basin". The Temporary Sediment Basins shall be removed by District forces after seeding has been established if desired by the respective land owners.

GENERAL NOTE
 Terraces generally will not be required where the slope of the area is less than 3 percent. They shall be constructed on areas or portions of areas as designated by the Engineer.
 Terraces shall be made as nearly parallel as practicable. Gradients for terraces shall vary from 0.1 percent at upper end to 0.4 percent at lower end or a uniform grade may be used.
 Outlet ditches shall be constructed at locations best suited to empty into a natural stream bed, or if this is not possible, into a road ditch or channel where erosion can be minimized.

NOTE:
 All dimensions are approximate.

Drainage Area above Ditch/Acres	Value of 'W' for various % of Ditch Grades					
	3%	4%	5%	6%	7%	8%
2-5	8'	8'	8'	8'	12'	14'
5-8	8'	8'	8'	10'	12'	16'
8-11	8'	8'	8'	10'	12'	16'
11-14	8'	8'	8'	10'	14'	18'
14-17	8'	8'	8'	12'	14'	20'
17-20	8'	8'	8'	12'	14'	24'

3				
2				
1	2-14-95	Revised Note for Temp. Sed. Basin	WCL	RDR
NO.	DATE	REVISIONS	BY	APP'D

KANSAS DEPARTMENT OF TRANSPORTATION

TEMPORARY PROJECT WATER POLLUTION CONTROL (SOIL EROSION)

STD. NO. LA852B

F.H.W.A. APPROVAL	5-11-95	APP'D	Richard D. Roas
DESIGNED	HLH	TRACED	WCL
DESIGN CK.	RDR	DETAIL CK.	RDR
		QUAN. CK.	TRACED CK.

ross /usr5/ross/refstids/10852b.dgn
 5-SEP-1995 10:32
 View= PLOT 1