

FHWA REGION NO.	STATE	PROJECT NO.	YEAR	SHEET NO.	TOTAL SHEETS
7	KANSAS	87TE-0073-01	1997	65	66

INSTALLATION NOTES

- STRAW OR HAY BALES:**
1. Place Bales tightly together, with loose straw or hay wedged between Bales to close off any openings.
 2. Wood Stakes shall be 2" x 2" (nom.) x 4'-0" long (min.)
 3. Refer to plan sheets to estimate the linear footage of Bales required.
 4. Use only twine to bind bales. The use of wire binding is prohibited because it does not readily biodegrade.
- SILT FENCE:**
1. Wood Stakes shall be 2" x 2" (nom.) x 5'-0" long (min.)
 2. Attach Fence Fabric to wood stakes with staples, wire, or nails.
 3. Refer to plan sheets to estimate the linear footage of Silt Fence required.

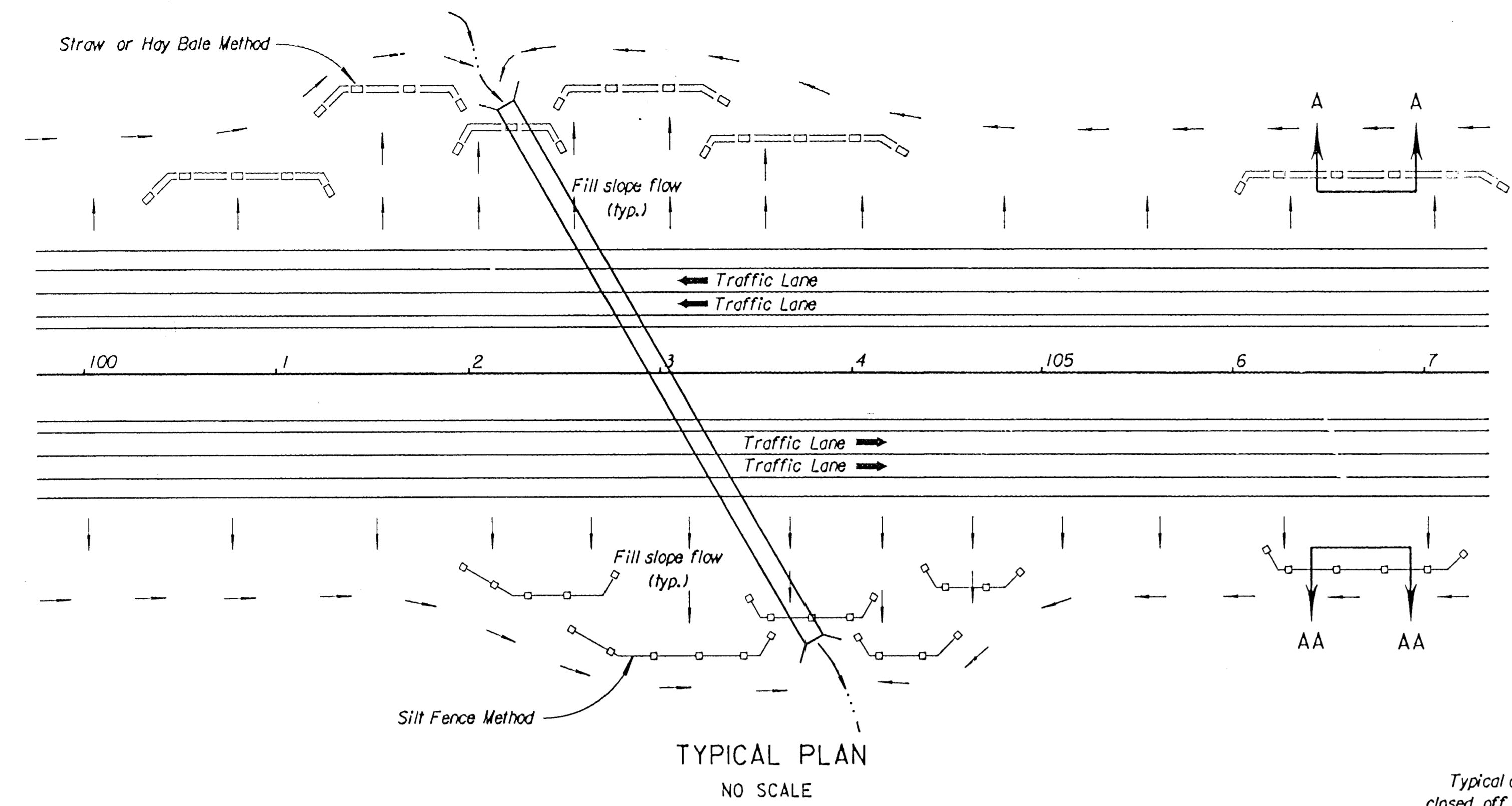
LEGEND OF TEMPORARY SLOPE SILT CONTROL METHODS

—○—○—○—○— Silt Fence Barrier

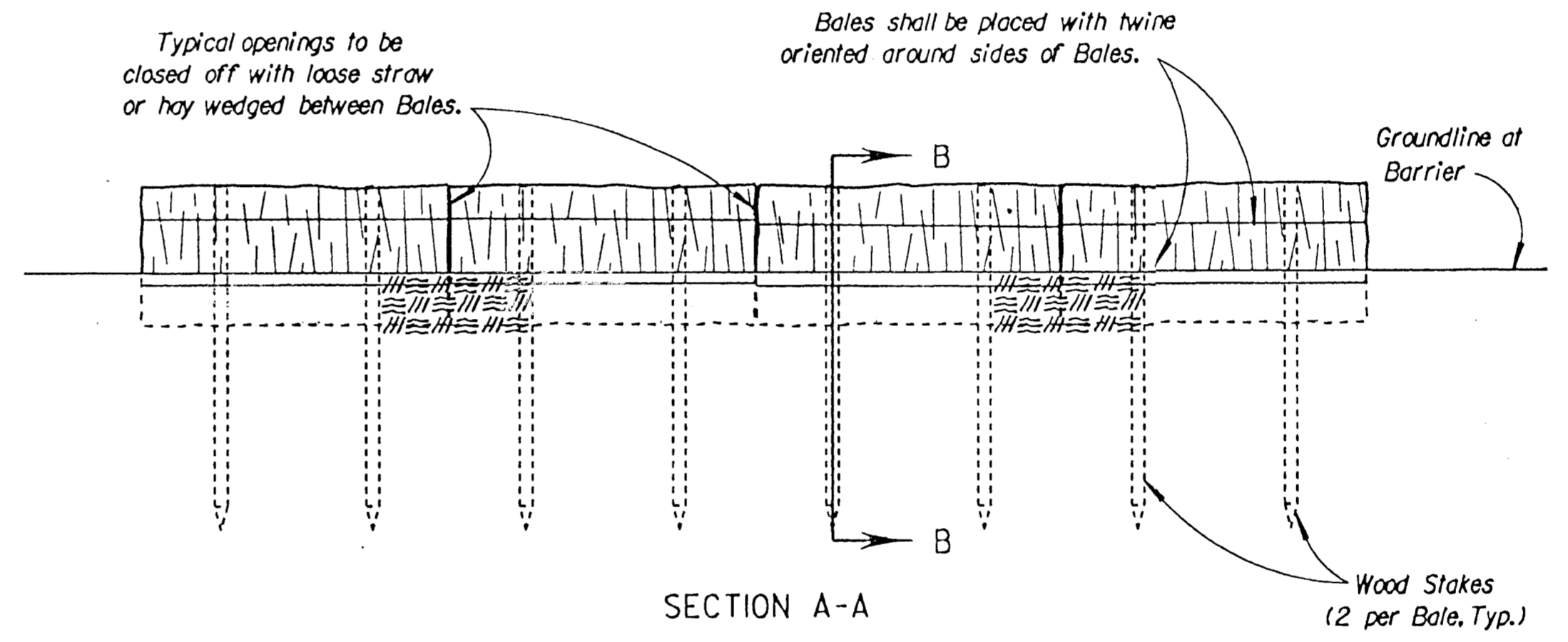
—□—□—□—□— Straw or Hay Bale Barrier

GENERAL NOTES

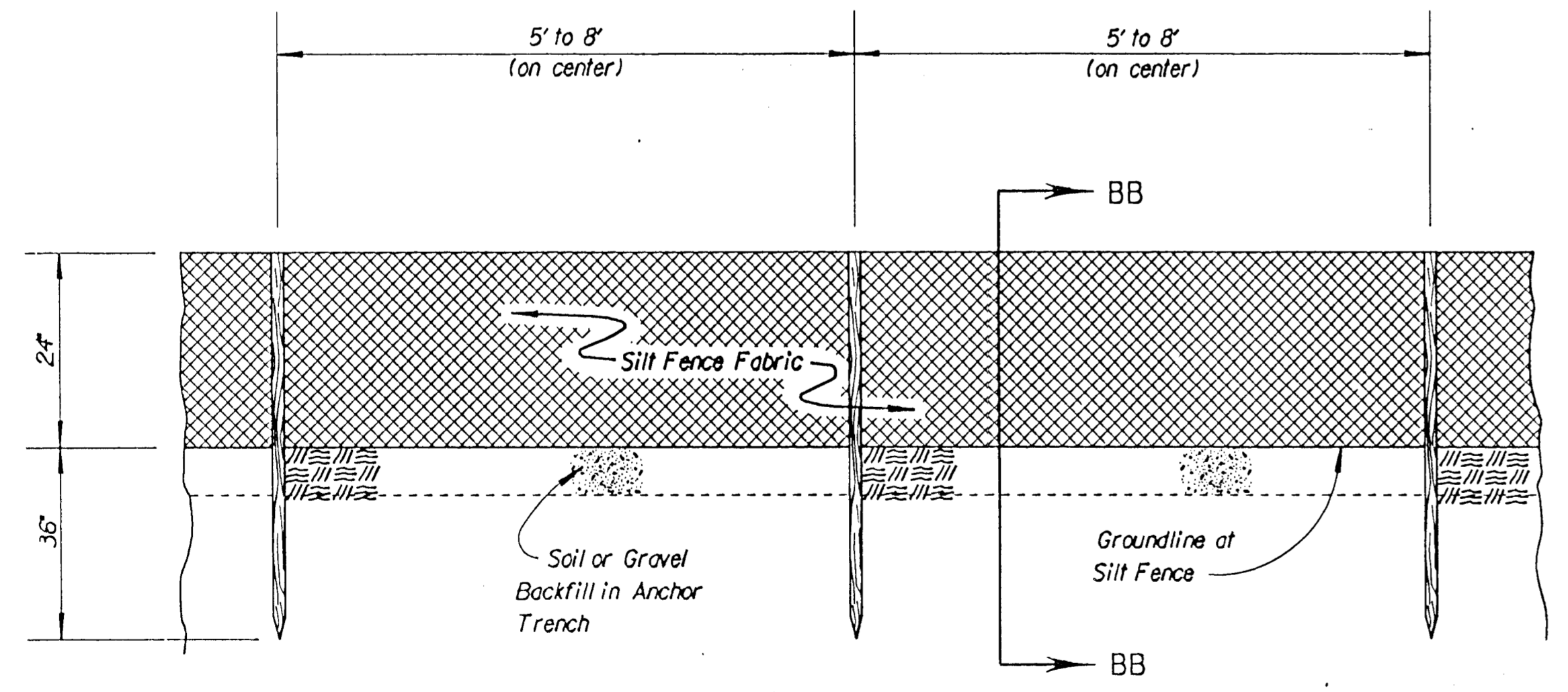
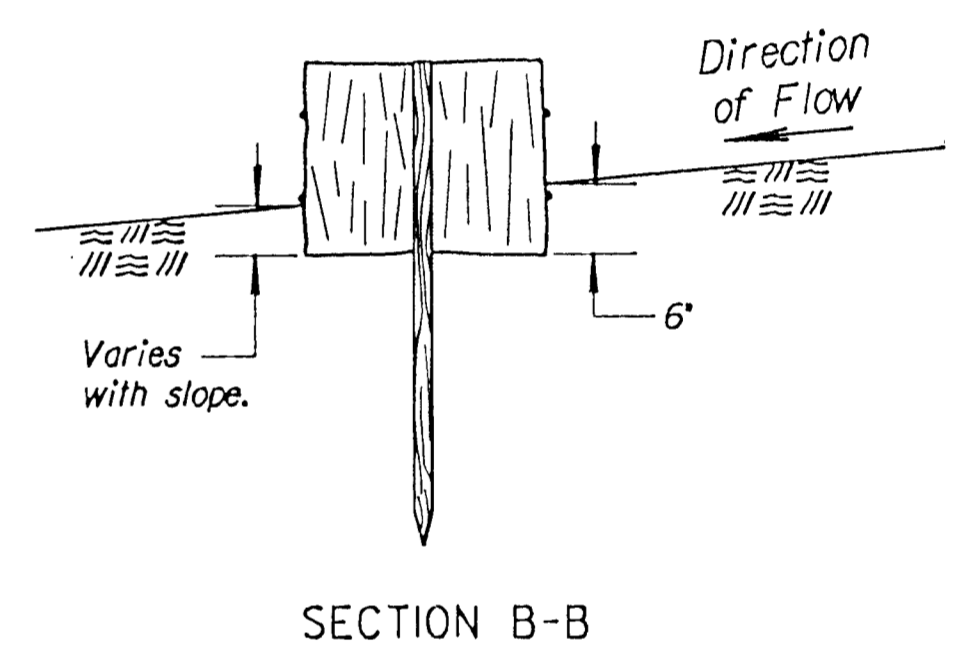
- 1) The usage of Straw or Hay Bales or Silt Fence is at the option of the Contractor. The symbols shown in the Typical Plan shall in no way be interpreted nor implied as to the usage of Slope Barrier Types.
- 2) The slope barriers shall be placed along contour lines, with a short section turned upgrade at each end of the barrier.
- 3) At culverts, the Straw or Hay Bales or Silt Fence shall be placed over the culvert, not through the streambed flowline.



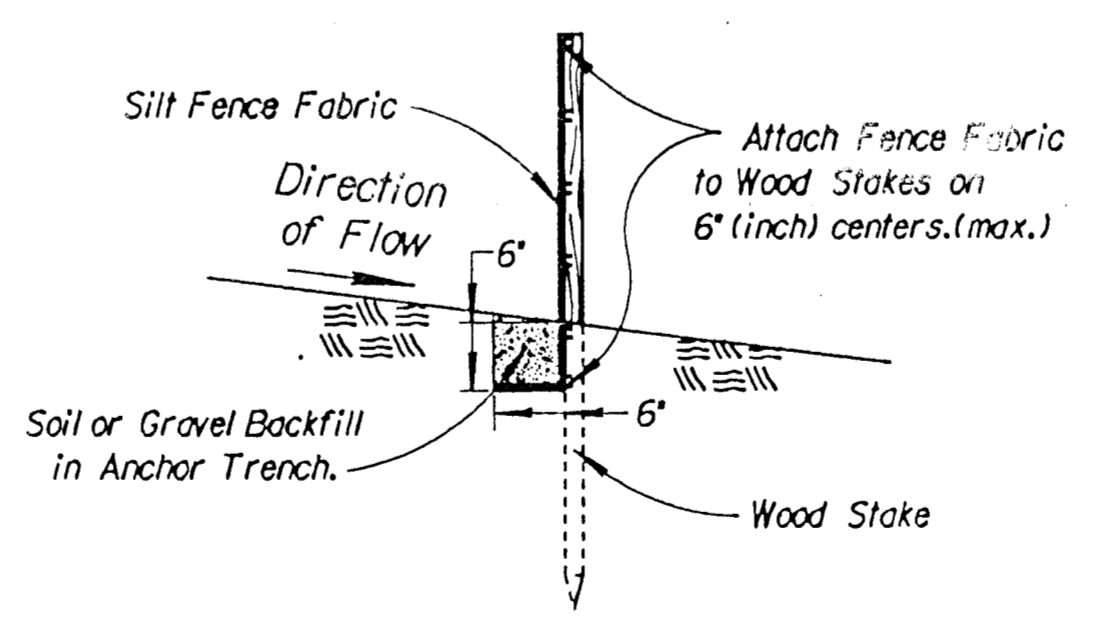
TYPICAL PLAN
NO SCALE



STRAW BALE SLOPE BARRIER
NO SCALE



SECTION AA-AA
SILT FENCE SLOPE BARRIER
NO SCALE



SECTION BB-BB

NO.	DATE	REVISIONS	BY	APP'D
3				
2				
1				

KANSAS DEPARTMENT OF TRANSPORTATION
TEMPORARY PROJECT WATER POLLUTION CONTROL
STRAW OR HAY BALE SLOPE BARRIERS
SILT FENCE SLOPE BARRIERS
STD. NO. LA852D

DESIGNED	WCL	DETAIL	WCL	QUANTITIES	DEL
DESIGN CK.	RDR	DETAIL CK.	WCL	QUAN. CK.	TRAC

APPROVAL: 5-11-95, APP'D: Richard D. Ross

ross
 /usr5/ross/ref/stds/la852d.dgn
 5-SEP-1995 10:32
 View- PLOT 1