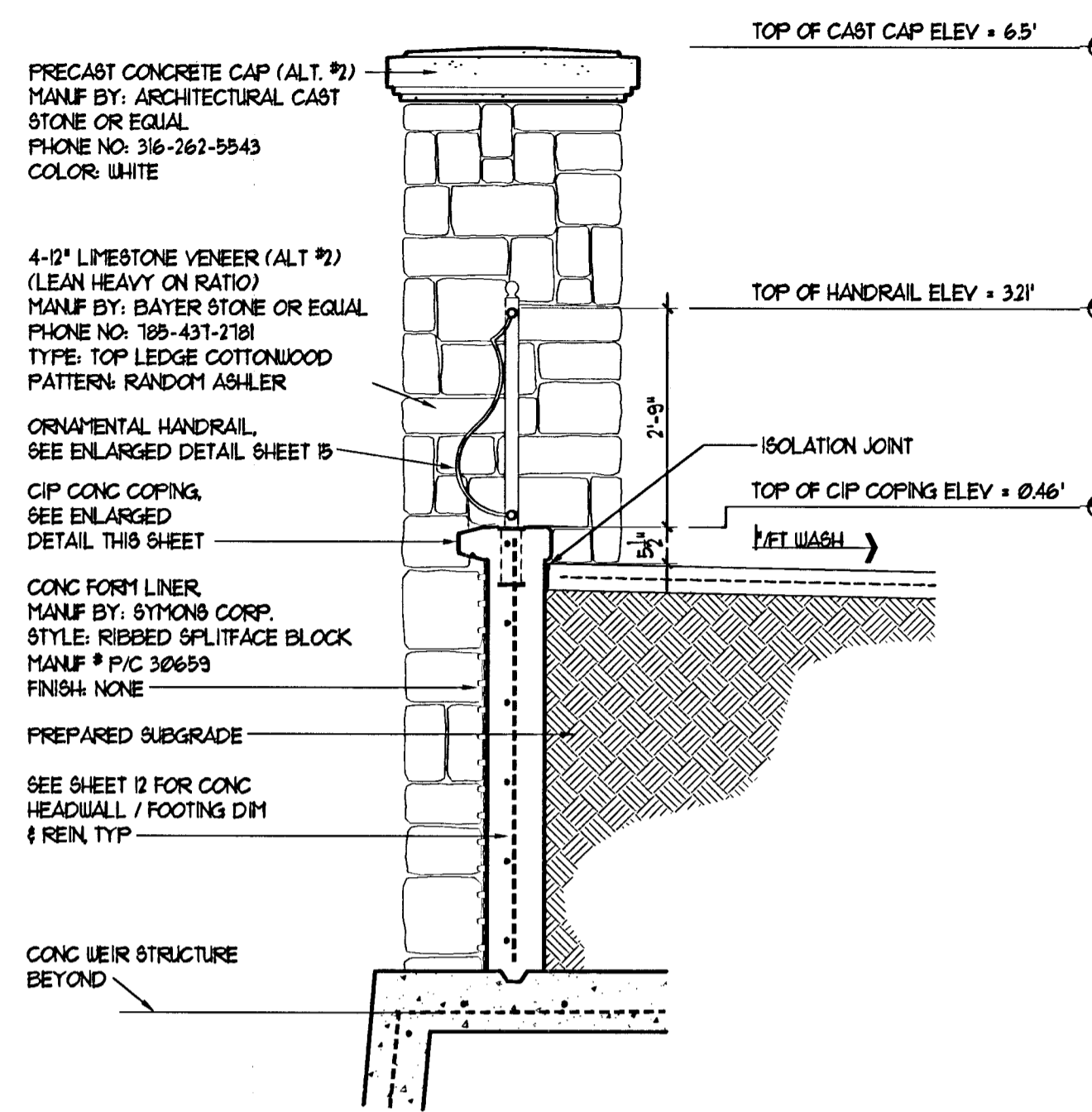


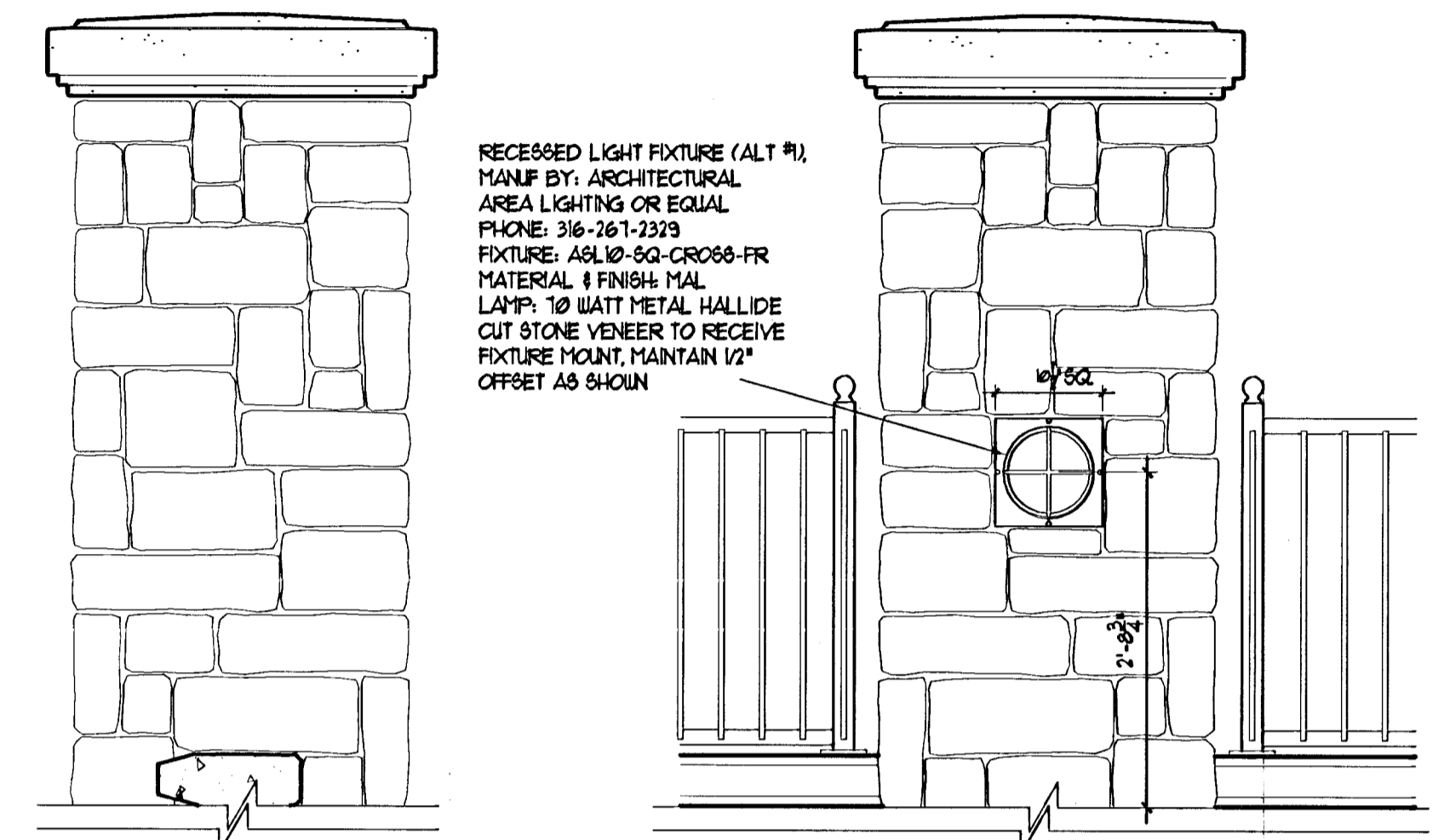
SECTION A-A

SCALE 1/2" = 1'-0"



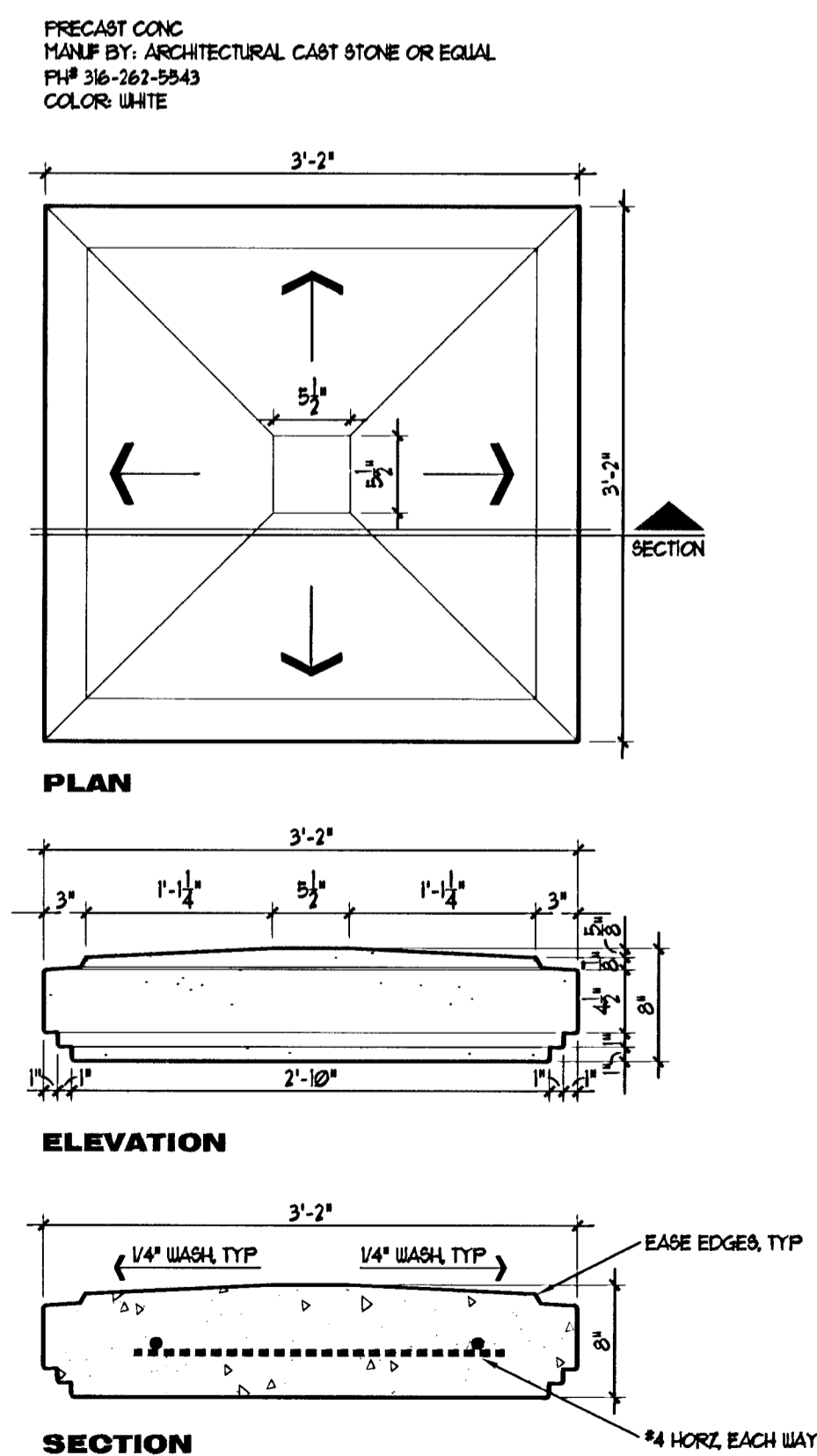
SECTION B-B

SCALE 1/2" = 1'-0"



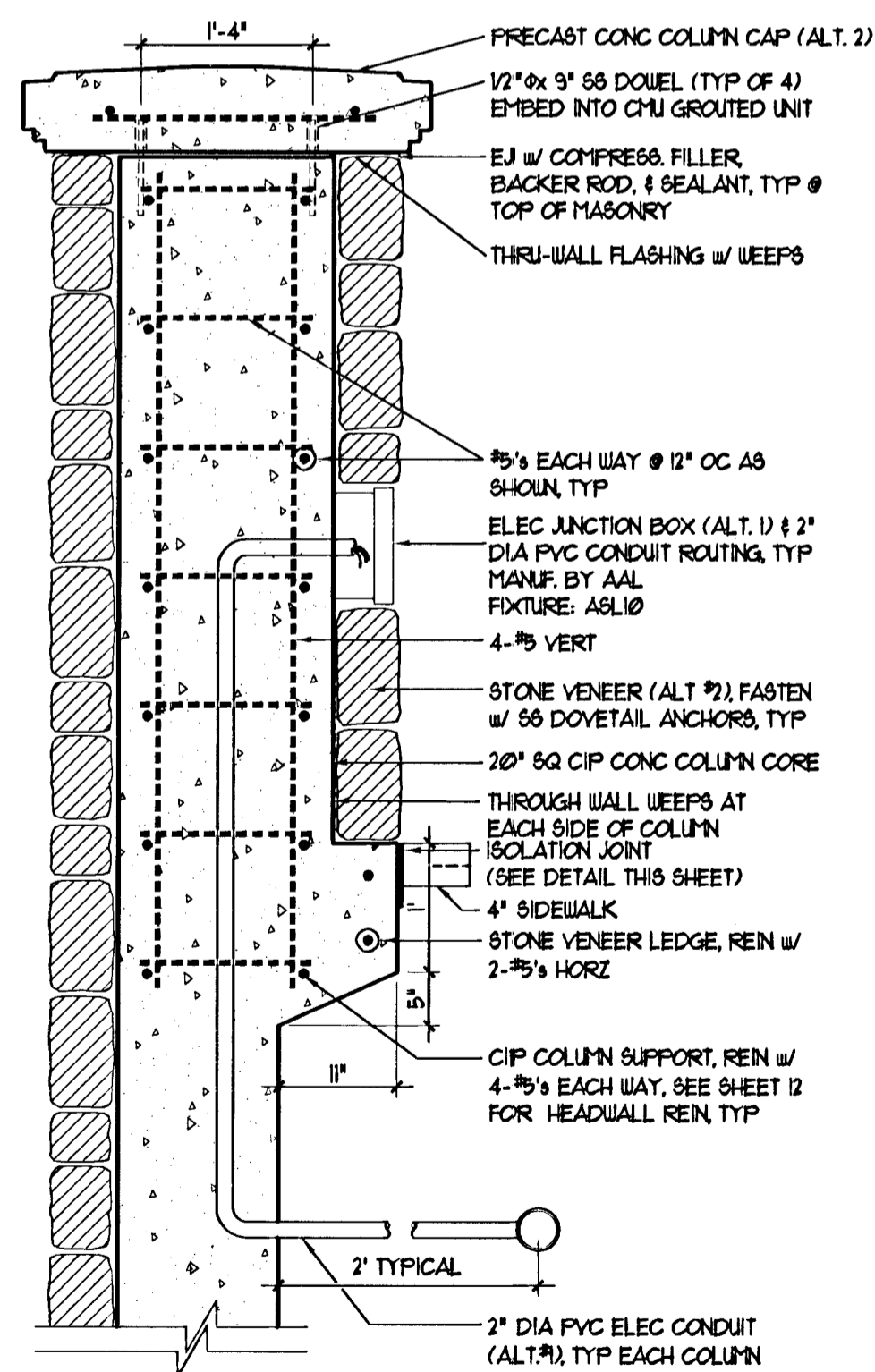
ELEVATION (W/ ALT. #2)

SCALE 3/4" = 1'-0"



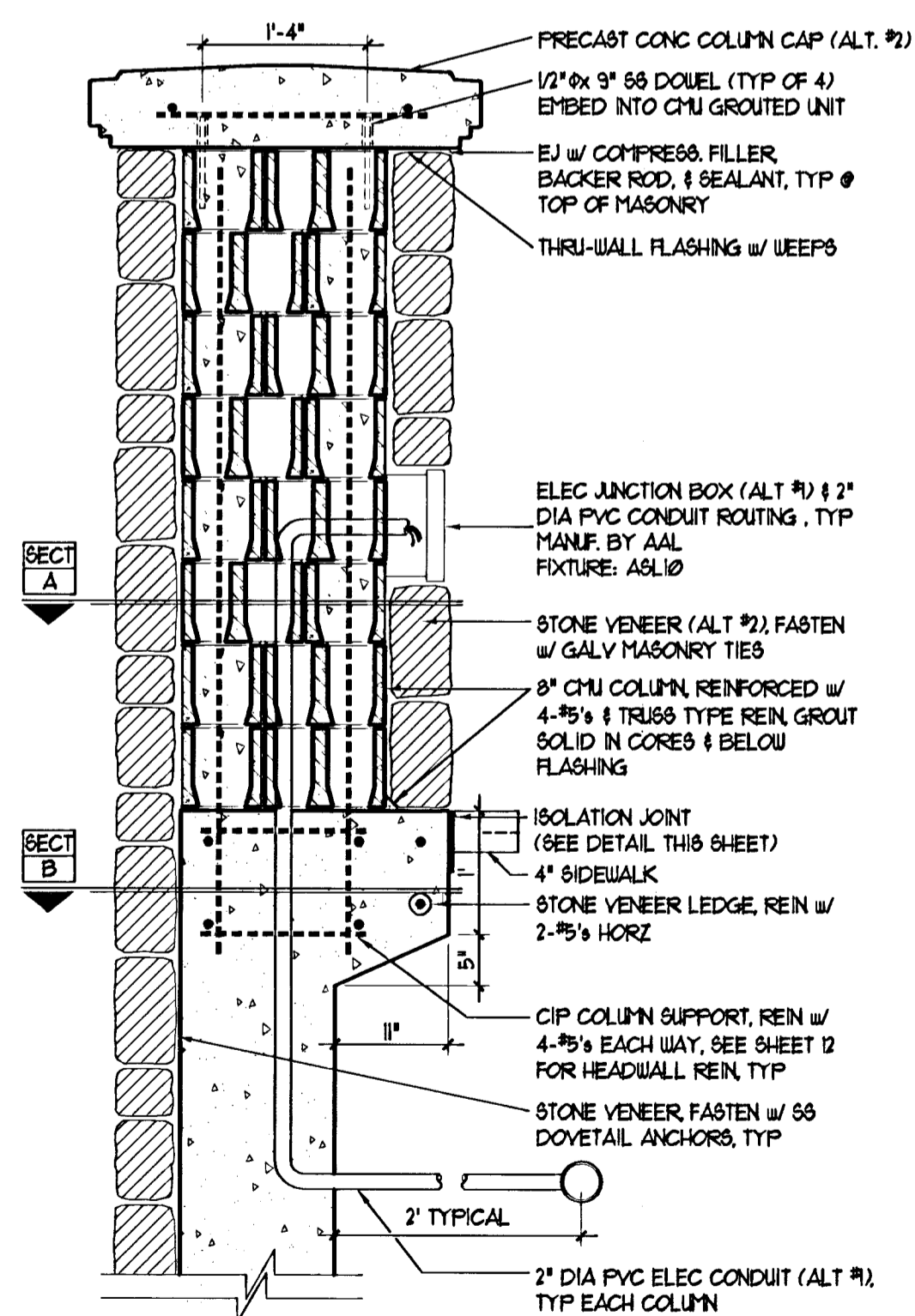
PRECAST COLUMN CAP - (ALT. 2)

SCALE 1" = 1'-0"



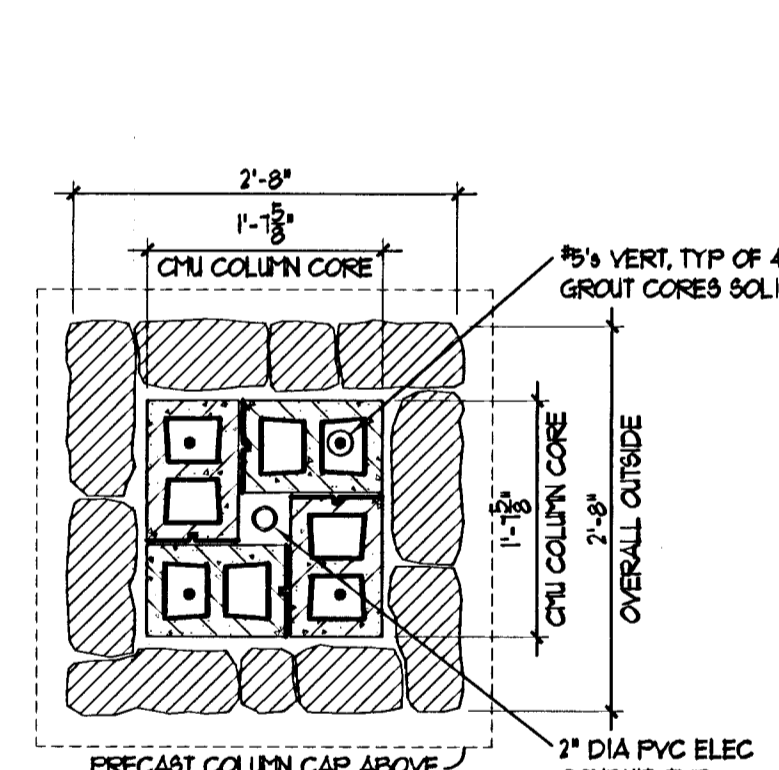
SECTION C-C

SCALE 3/4" = 1'-0"

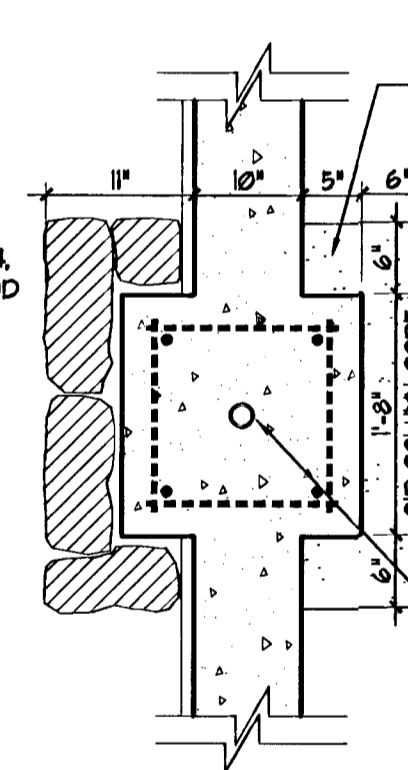


SECTION C-C - OPTIONAL

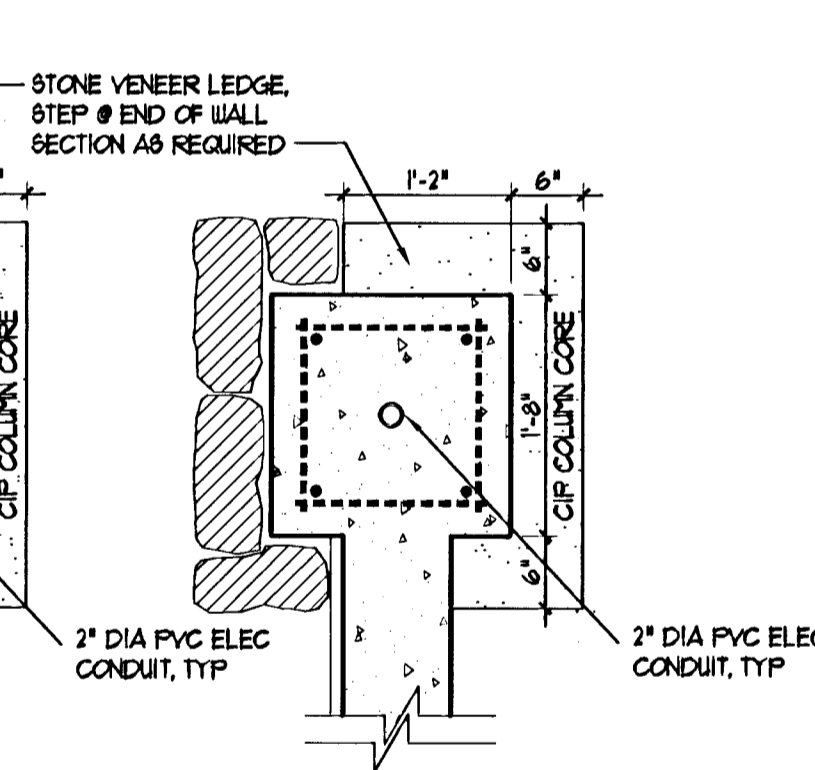
SCALE 3/4" = 1'-0"



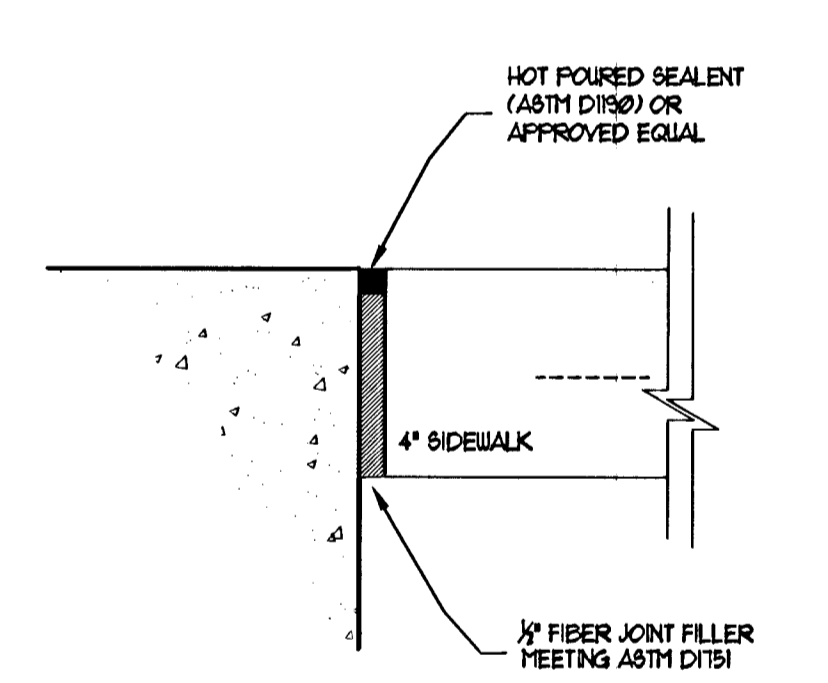
SECTION A



SECTION B

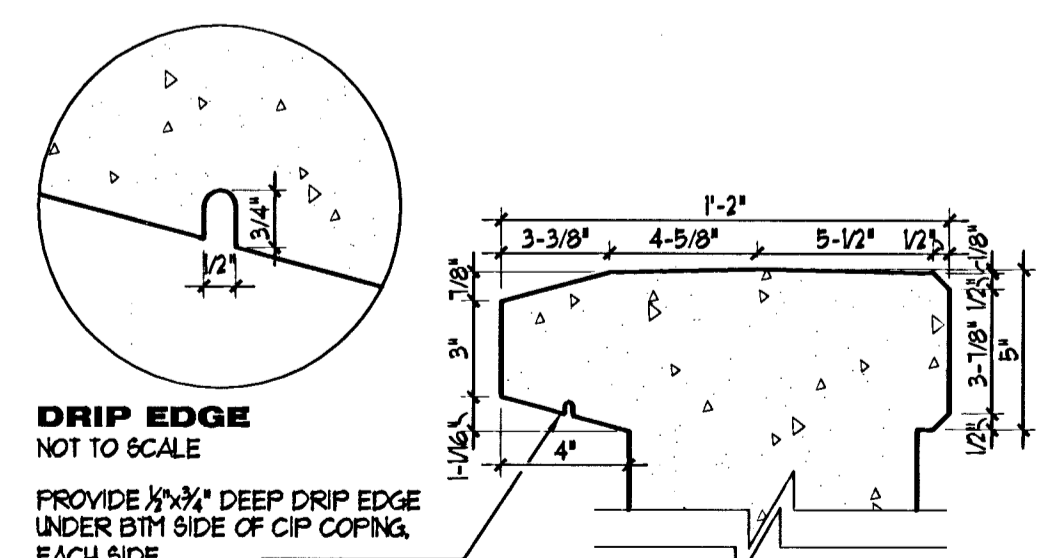


SECTION @ END OF HEADWALL



ISOLATION JOINT DETAIL

NOT TO SCALE



CAST-IN-PLACE HEADWALL COPING

SCALE 1" = 1'-0"

HAWTHORNE ADDITION
PROJECT NAME

RCB HEADWALL DETAILS
SHEET TITLE

MKEC DESIGN BY: KK DRAWN BY: MKEC CHECKED BY:

APRIL, 2003 DATE 02167 JOB NO. 14 / 28 SHEET/OF

411 N. WEBB ROAD WICHITA, KS. 67208 316-684-9600