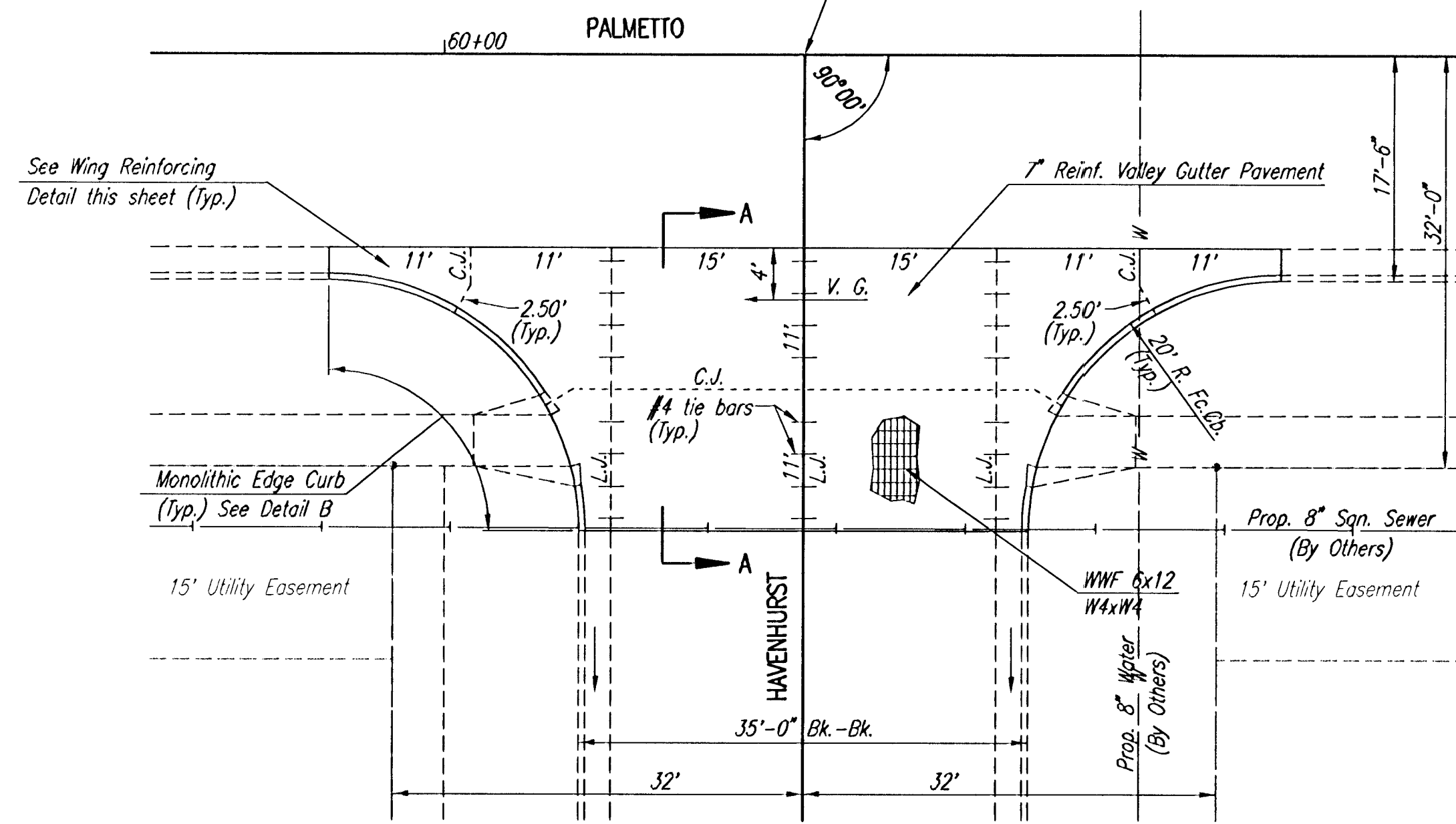


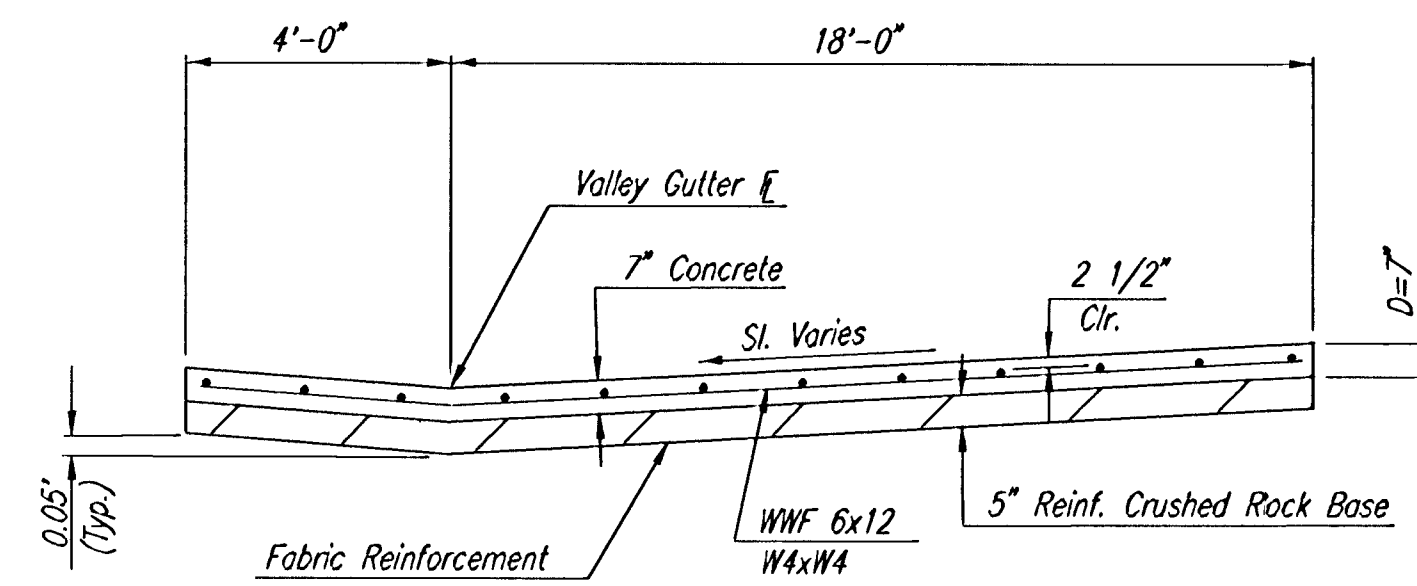
6"x12" W4xW4 WIRE FABRIC REINFORCING SHALL BE PLACED SUCH THAT THE WIRES WITH THE 6" SPACING WILL RUN PARALLEL WITH THE LONGITUDINAL JOINT.

Sta. 60+28.06 @ Palmetto
Sta. 90+00.00 @ Havenhurst

SCALE: 1" = 10'

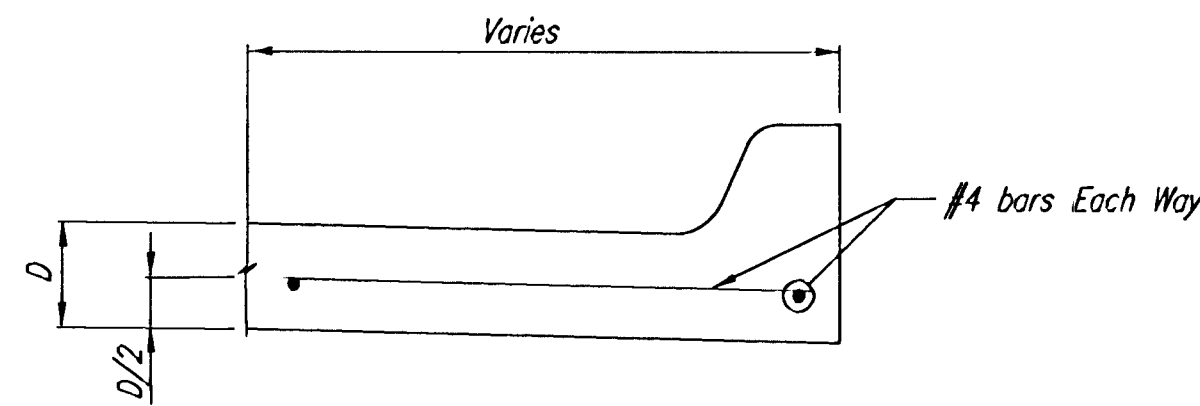


PLAN
REINFORCED VALLEY GUTTER

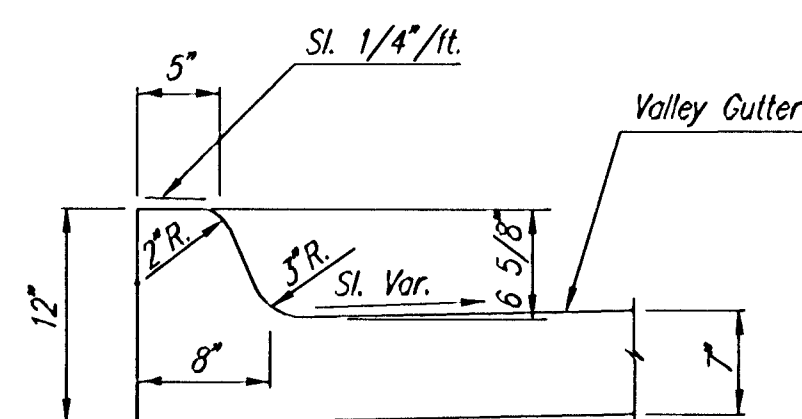


SECTION A-A

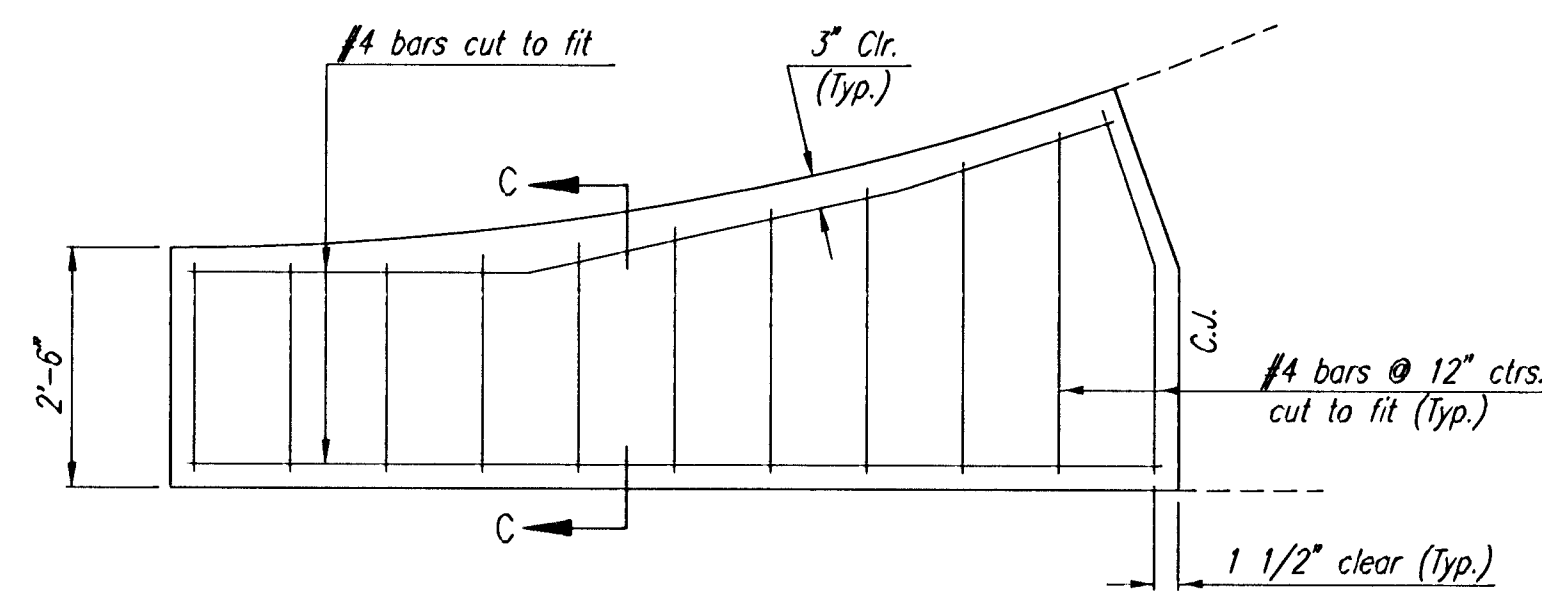
NOTE: OMIT REINFORCING MESH AT ALL JOINTS
NOTE: ALL CONCRETE VALLEY GUTTER REINFORCEMENT SHALL BE ADEQUATELY SUPPORTED BY BAR CHAIRS IN THE REQUIRED POSITION UNLESS APPROVED OTHERWISE BY THE ENGINEER.



SECTION C-C

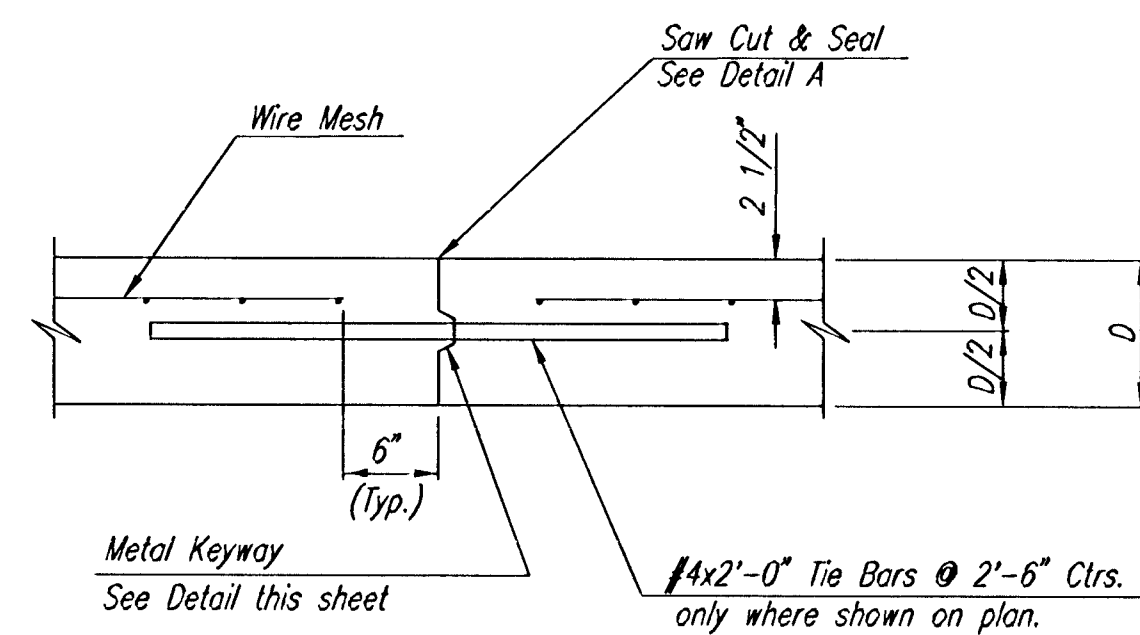


DETAIL B

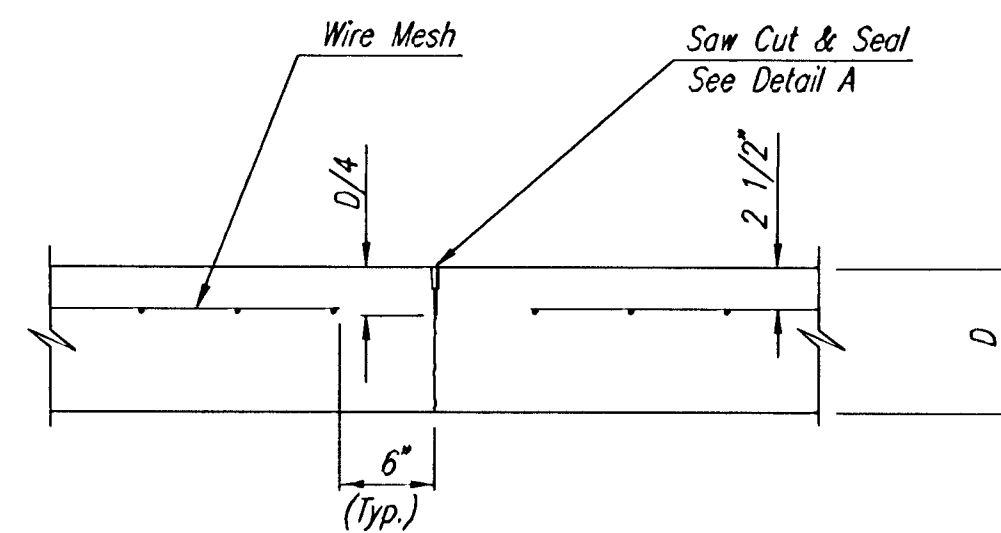


WING REINFORCING DETAIL

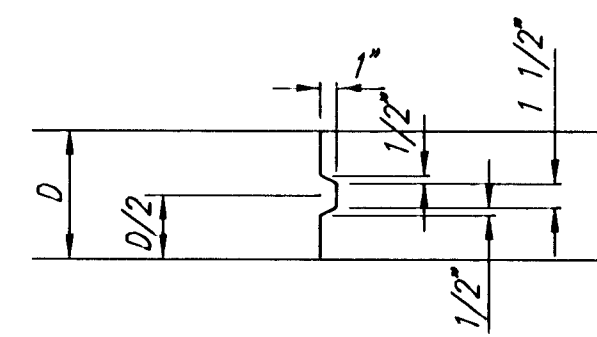
NOTE: OMIT WIRE FABRIC REINFORCING IN THIS SECTION.



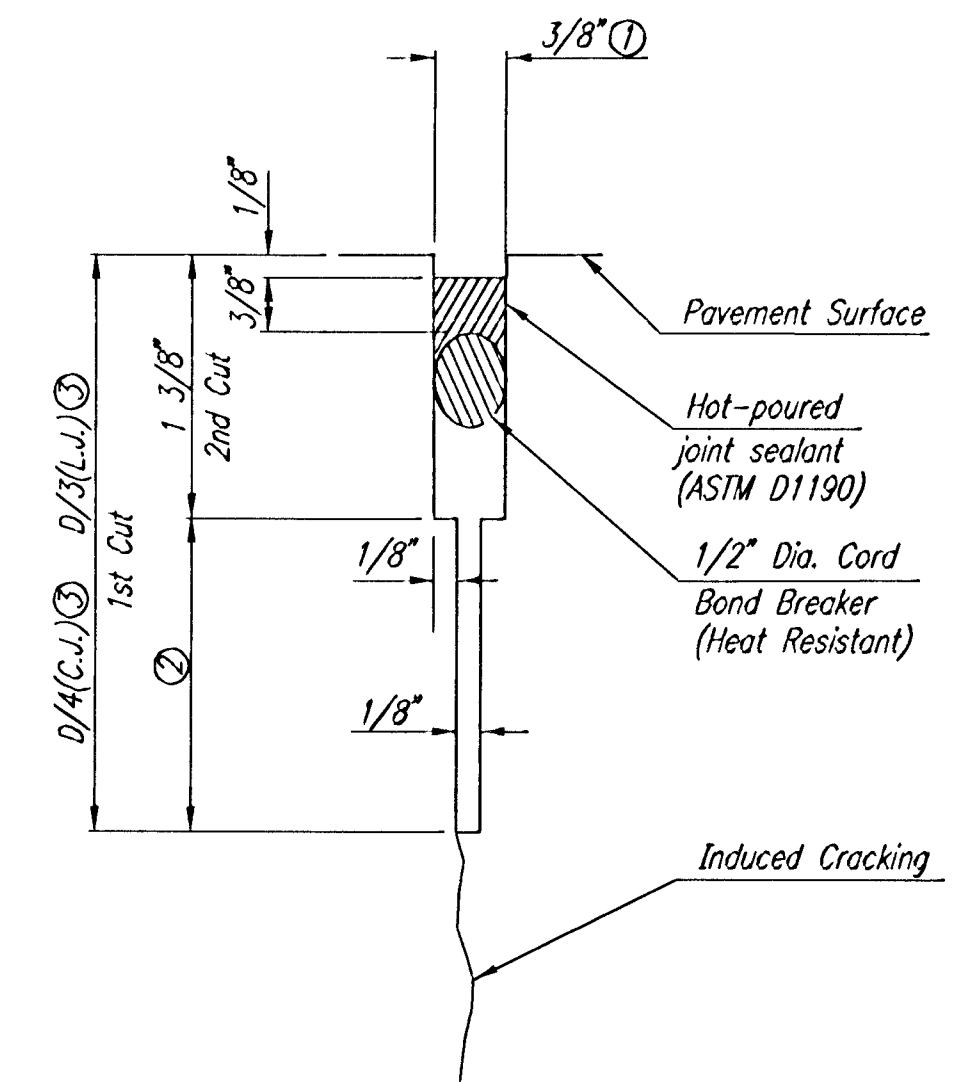
REINFORCED PAVEMENT
(TRANSVERSE SECTION)
(ALTERNATE L.J.)



CONTRACTION JOINT DETAIL
REINFORCED PAVEMENT
(C.J.)

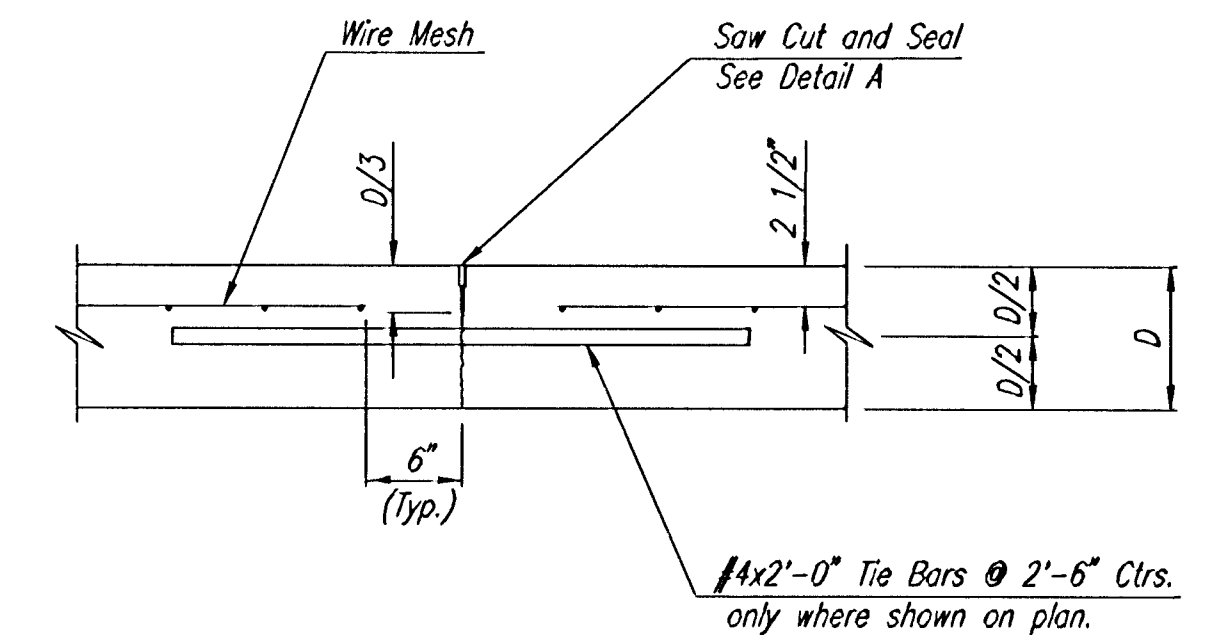


KEYWAY DETAIL



DETAIL A

- To be accomplished in 2 cuts for Longitudinal Joints and Contraction Joints. Initial cut to be 1/8" wide.
- Eliminate bottom of cut when metal keyway is used as part of Longitudinal or Transverse Construction Joint and at Doweled Construction Joint Locations.
- 1 1/2" Minimum



LONGITUDINAL JOINT DETAIL
REINFORCED PAVEMENT
(TRANSVERSE SECTION)
(L.J.)

[Signature]
02 OCT 06
RECORD DRAWING

DSNR: BLB OPER: BJS SCALE: 1"=10.00
C:\2005\05059\000\05059-000-C-VALGUTPL 06-13-2005 01:43:41 pm

	Revision	By	Date
	AVALON PARK-PHASE 4		
	VALLEY GUTTER DETAILS JAMES L. ARMOUR, P.E.-CITY ENGINEER CITY OF WICHITA PROJECT NO. 472-83838 Professional Engineering Consultants, P.A. 303 S. TOPEKA • WICHITA, KANSAS 67202 316-262-2691 • FAX 316-262-3003		
	Designed by	BDB, BLB	Job No.
Drawn by	BJS	Date	February 2005
		SH. 10	of 22