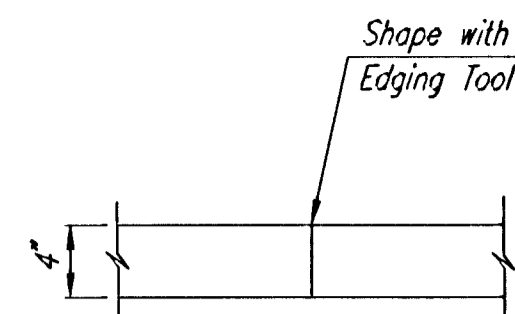
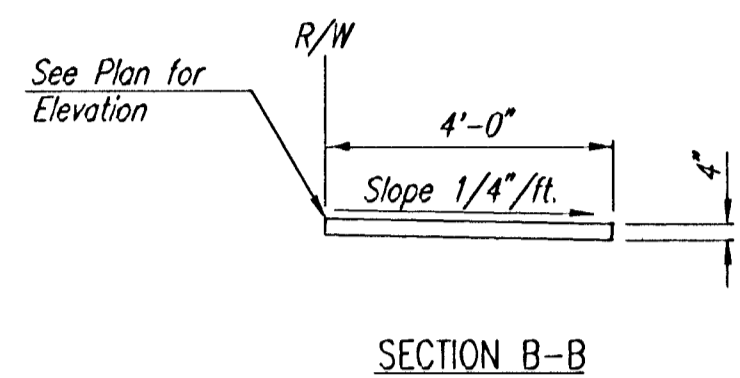
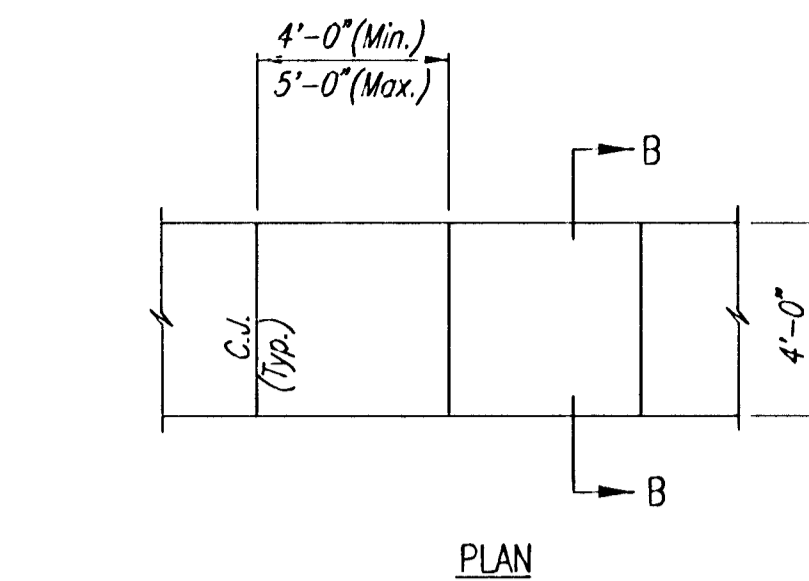
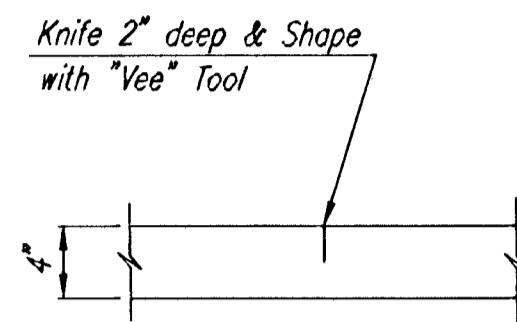


COMPACTED FILL DETAIL
WHERE SIDEWALK IS CONSTRUCTED
(See Plan Sheets for Locations)



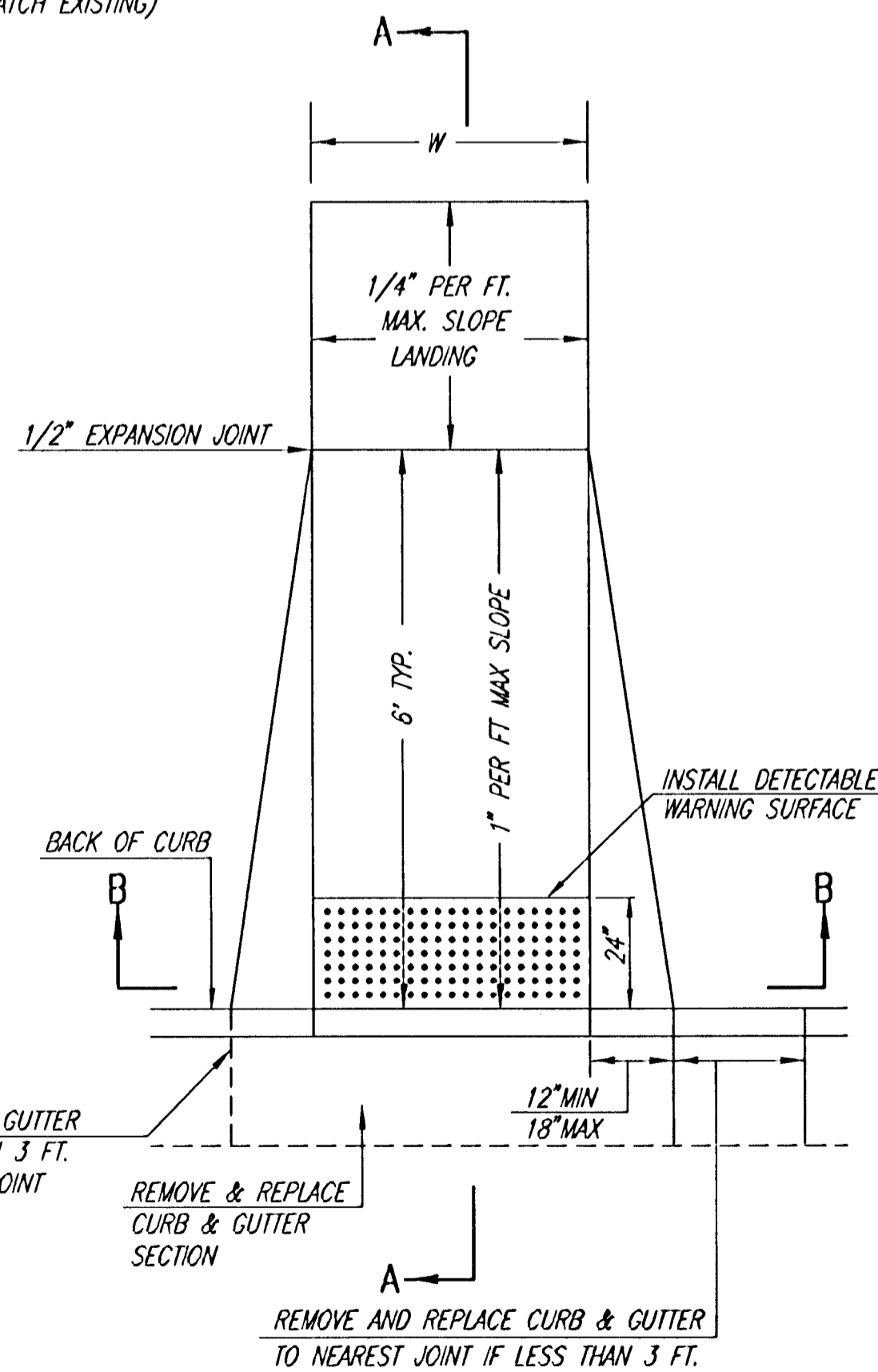
CONSTRUCTION JOINT
(ALT. C.J.)



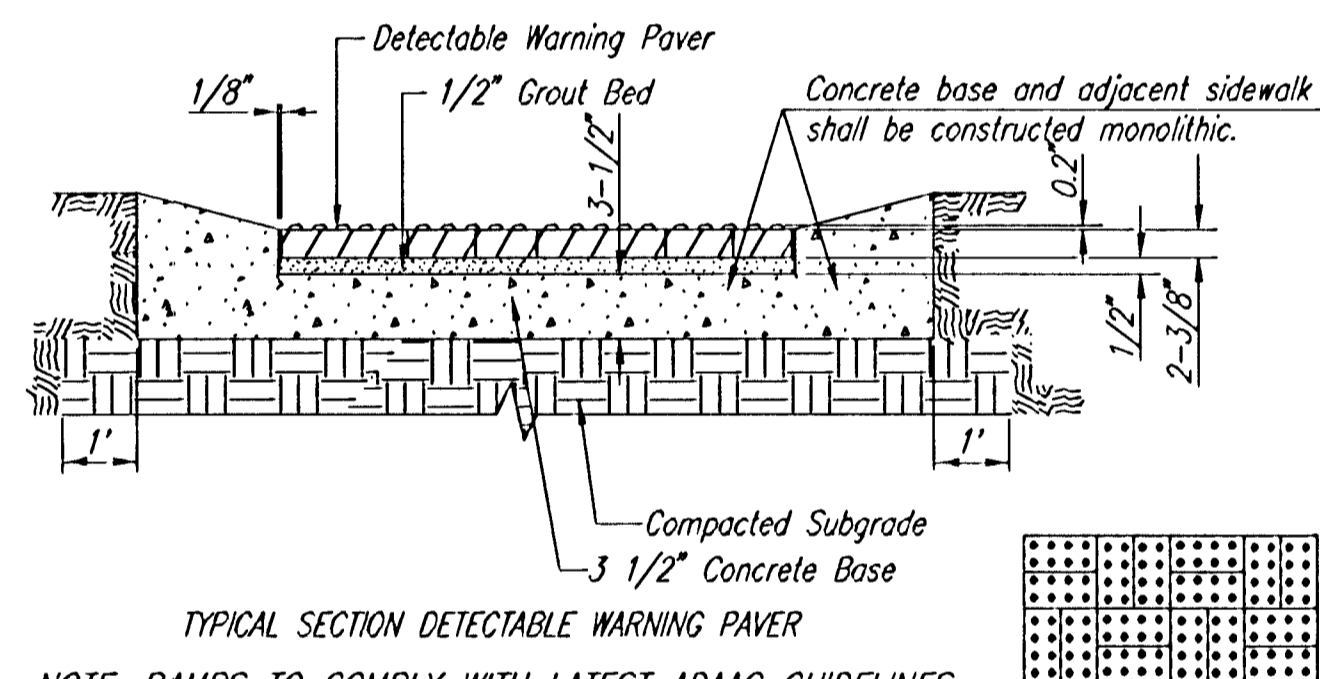
CONTRACTION JOINT
(C.J.)

4" WALK DETAILS

W= 4'0" FOR STANDARD RAMP
W= 5'0" FOR RAMPS AT SCHOOL CROSSWALKS
(OR TO MATCH EXISTING)

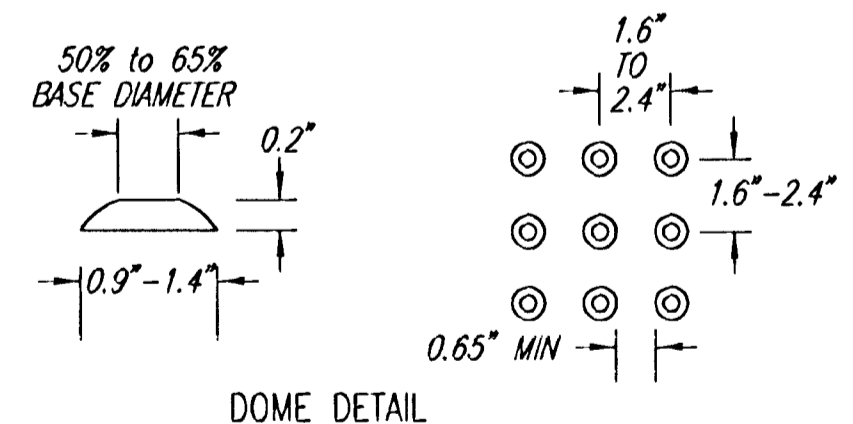


(TYPE A)
STANDARD WHEELCHAIR RAMP
WITH DETECTABLE WARNING
CONSTRUCTION DETAIL FOR STREETS
WITH COMBINED CURB & GUTTER

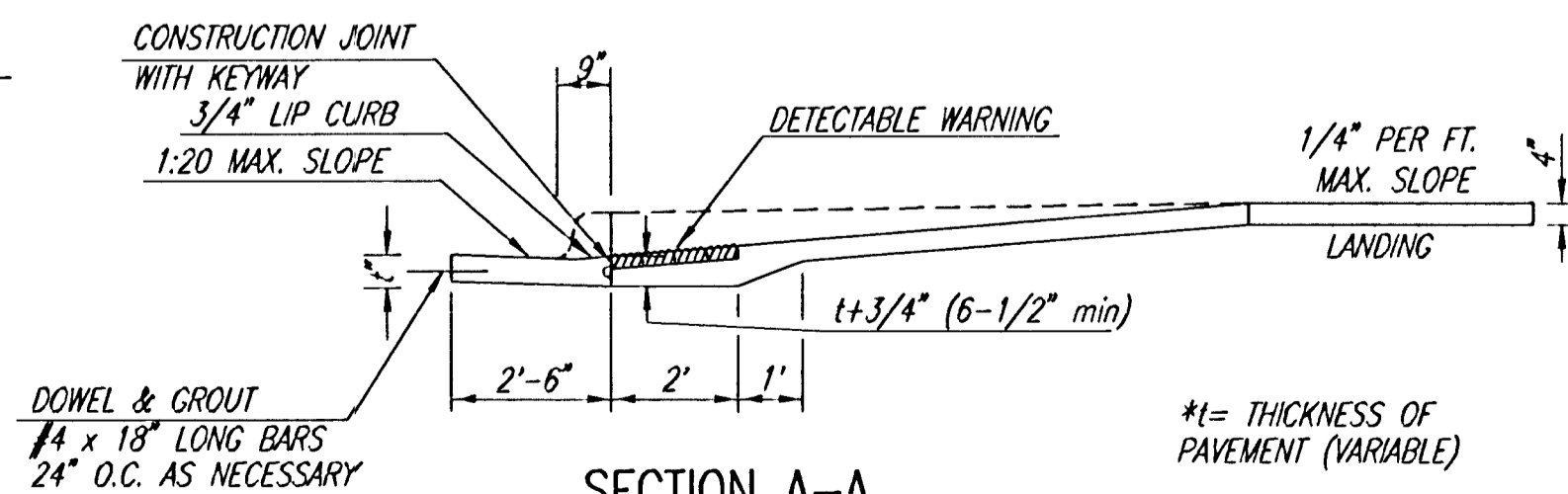


NOTE: RAMPS TO COMPLY WITH LATEST ADAAG GUIDELINES.
PAVESTONE DETECTABLE WARNING PAVERS (OR AN APPROVED EQUAL) SHALL
BE USED IN ALL WHEELCHAIR RAMPS. THE RED PAVER SHALL BE INSTALLED USING
A BASKET WEAVE/PARQUET PATTERN. OTHER PATTERNS MAY BE USED WITH APPROVAL OF
ENGINEER. SAND FILL JOINTS. ALIGN DOMES IN THE DIRECTION OF PEDESTRIAN TRAVEL.

SECTION B-B

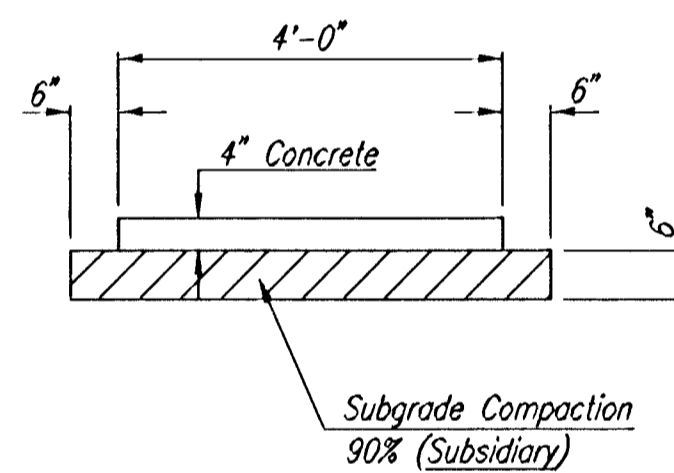


DOME DETAIL



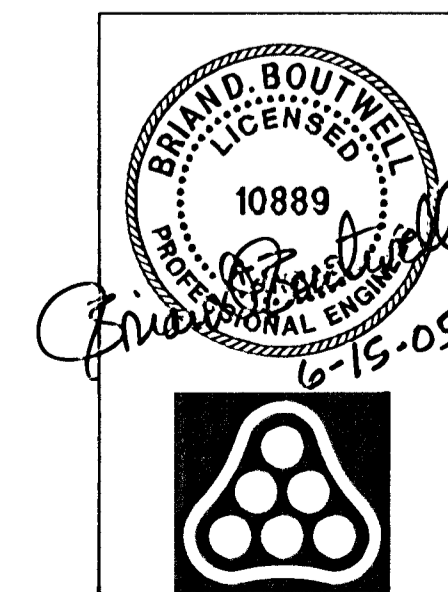
TYPICAL WHEELCHAIR RAMP DETAILS

AUGUST 4, 2003



TYPICAL SIDEWALK SECTION

B. M. Elmer
02 OCT 06
RECORD DRAWING



No.	Revision	By	Date
	AVALON PARK-PHASE 4		
MISCELLANEOUS PAVING DETAILS			
JAMES L. ARMOUR, P.E.-CITY ENGINEER CITY OF WICHITA PROJECT NO. 472-83838			
Professional Engineering Consultants, P.A. 303 S. TOPEKA • WICHITA, KANSAS 67202 316-262-2691 • FAX 316-262-3003			
Designed by	BDB, BLB	Job No.	35-05059-000
Drawn by	BUS	Date	February 2005
			Sh. 11 of 22

OSNR: BLB OPER: BUS SCALE: 1"=10.00
 C:\2005\05059\000\05059-000-C-MISC011 06-13-2005 01:45:58 pm