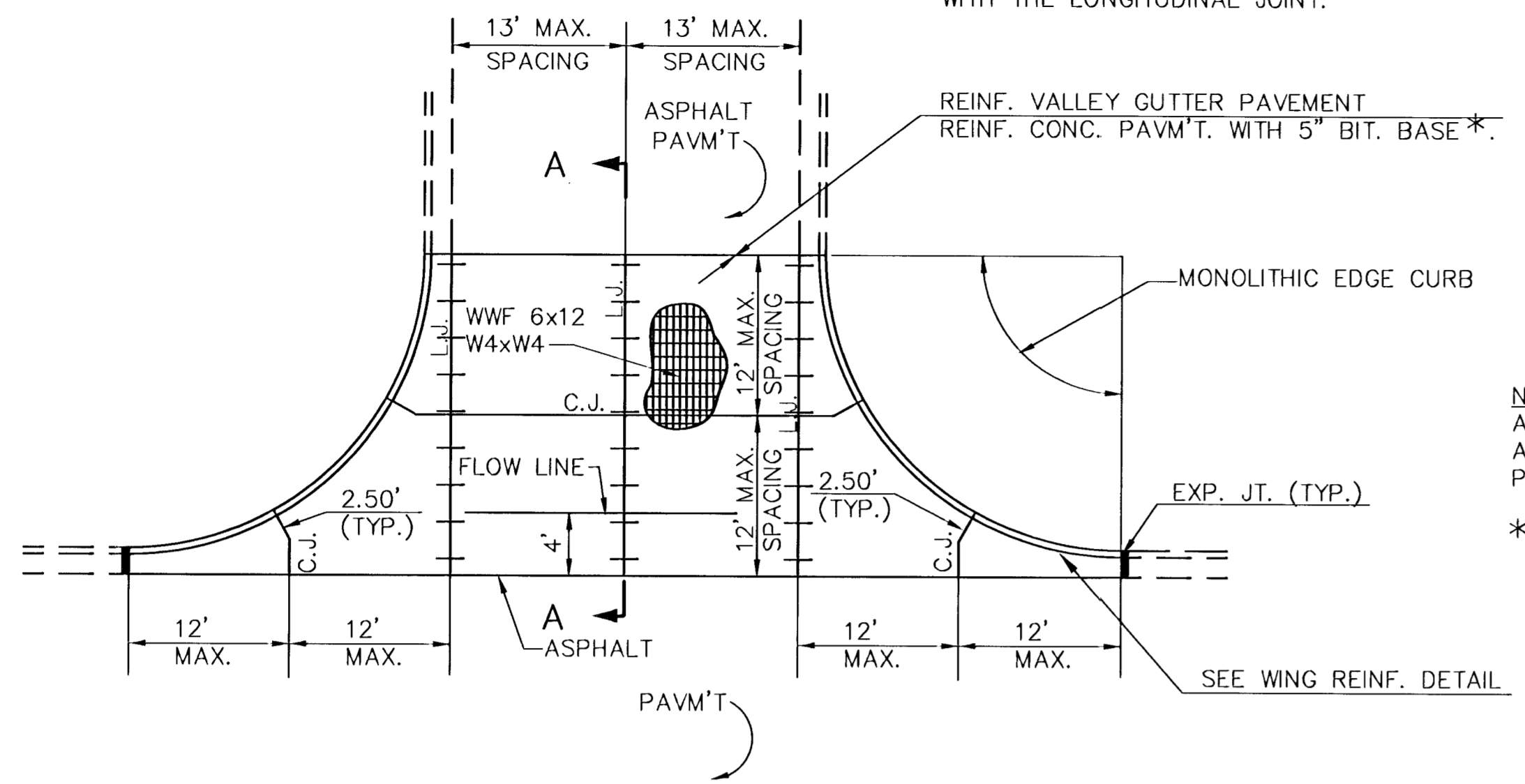
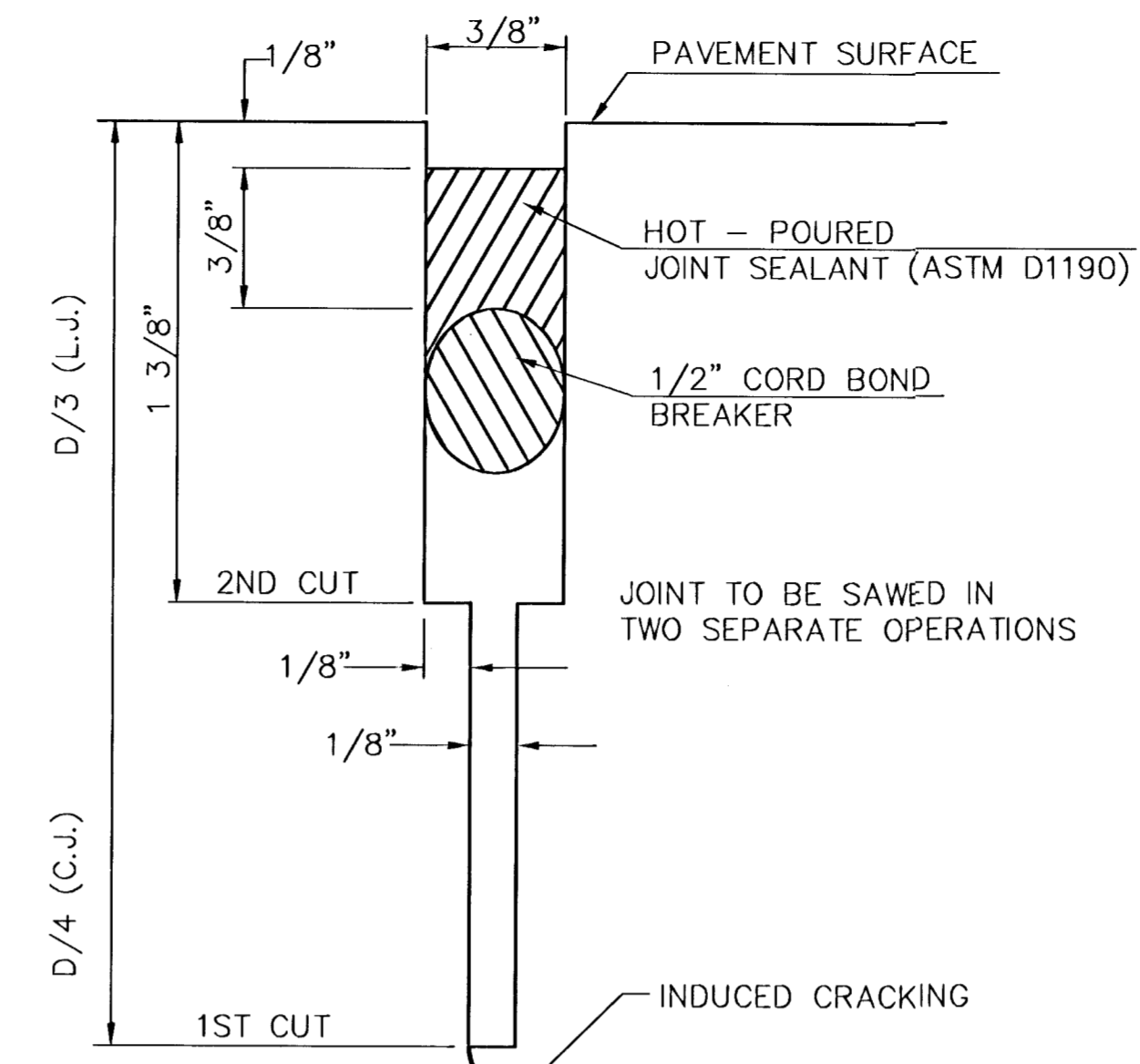


6"x12" W4xW4 WIRE FABRIC REINFORCING SHALL BE PLACED SUCH THAT THE WIRES WITH THE 6" SPACING WILL RUN PARALLEL WITH THE LONGITUDINAL JOINT.

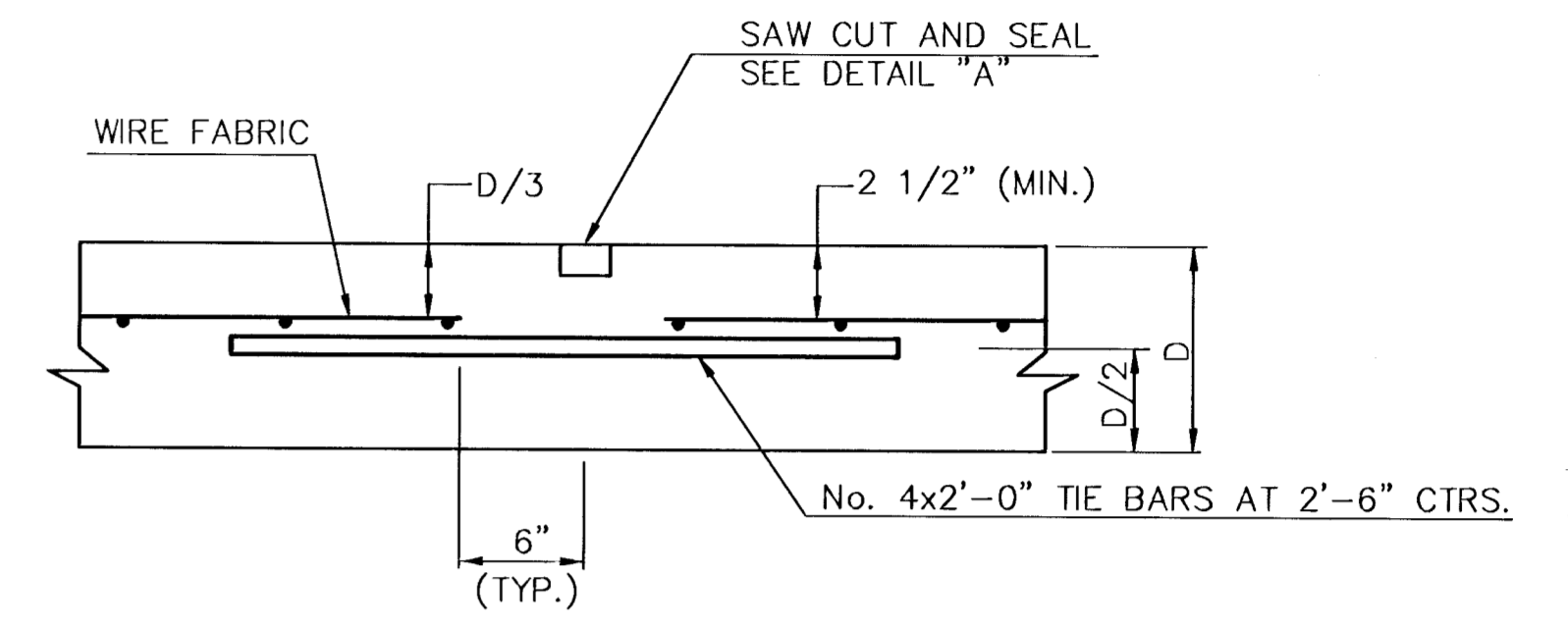


PLAN
REINFORCED VALLEY GUTTER
SCALE: NONE

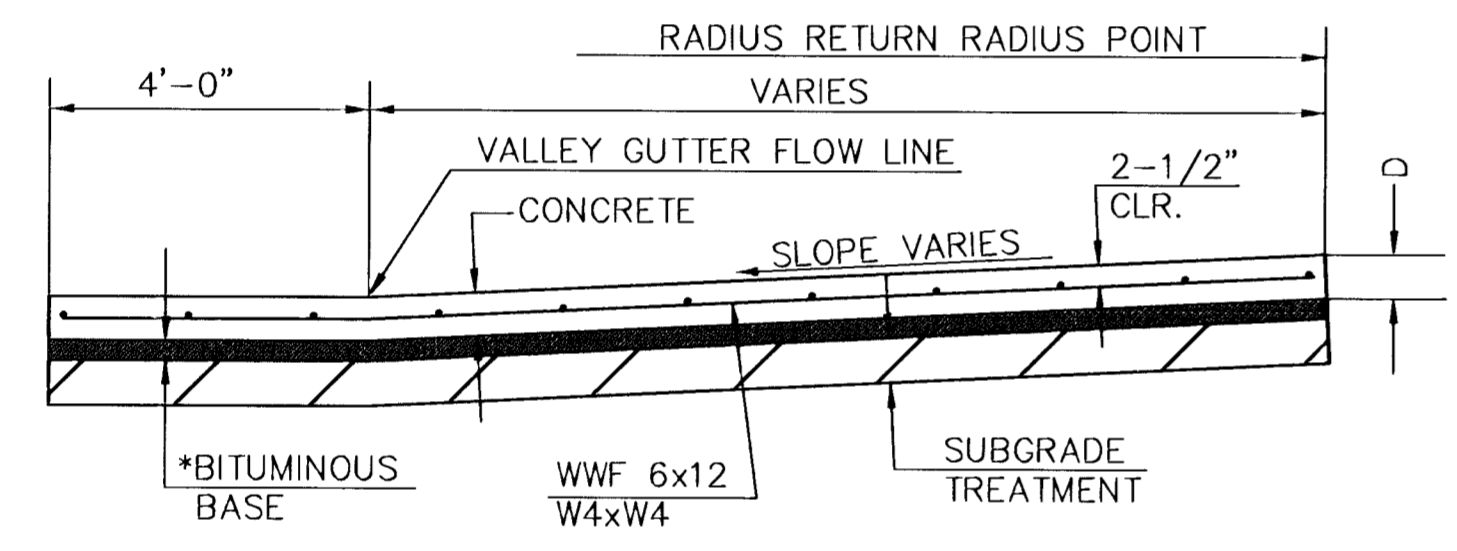
NOTE:
ALL CONCRETE VALLEY GUTTER REINFORCEMENT SHALL BE ADEQUATELY SUPPORTED BY BAR CHAIRS IN THE REQUIRED POSITION UNLESS APPROVED OTHERWISE BY THE ENGINEER.
*NOT TO BE USED WITH CRUSHED ROCK BASE.



DETAIL "A"
SCALE: NONE

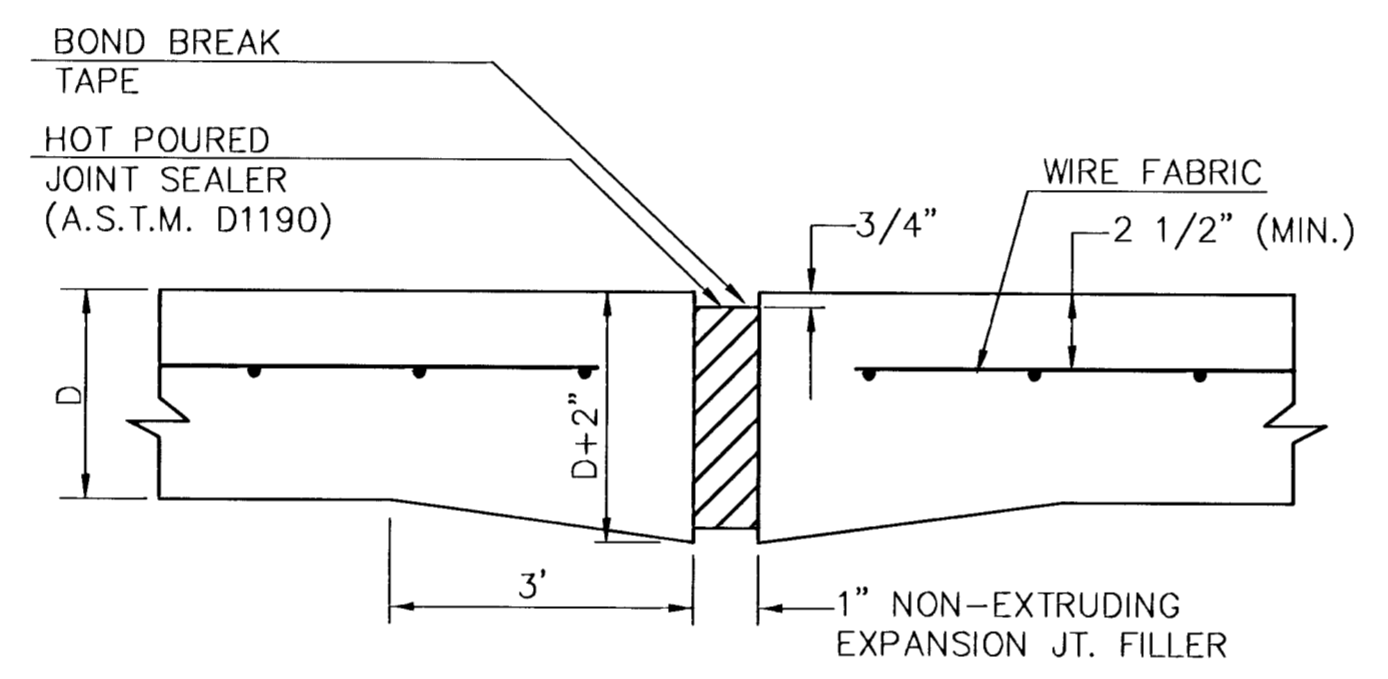


LONGITUDINAL JOINT DETAIL (L.J.)
SCALE: NONE



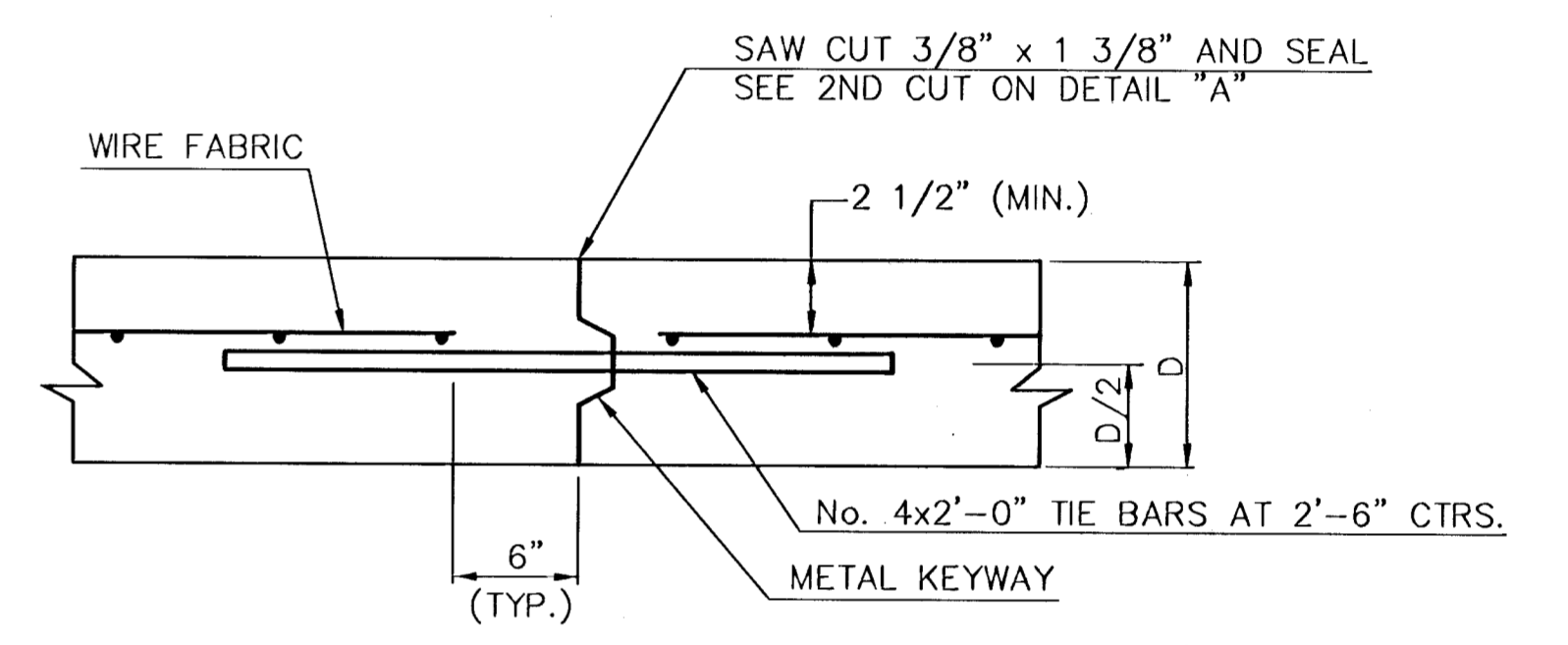
SECTION A-A
SCALE: NONE

*NOT TO BE USED WITH CRUSHED ROCK BASE

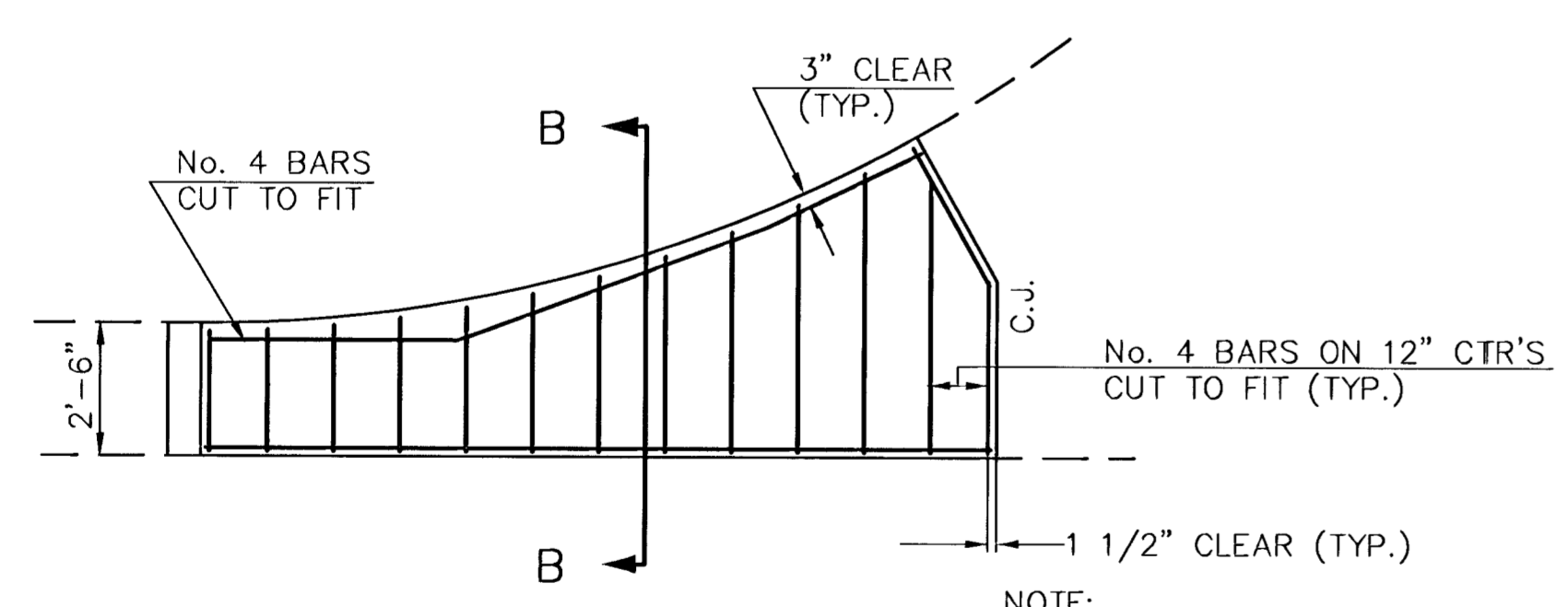


NOTE:
EXTRA THICKNESS TO BE SUBSIDIARY TO PRICE OF SQ. YDS. PAVEMENT.

EXPANSION JOINT
SCALE: NONE

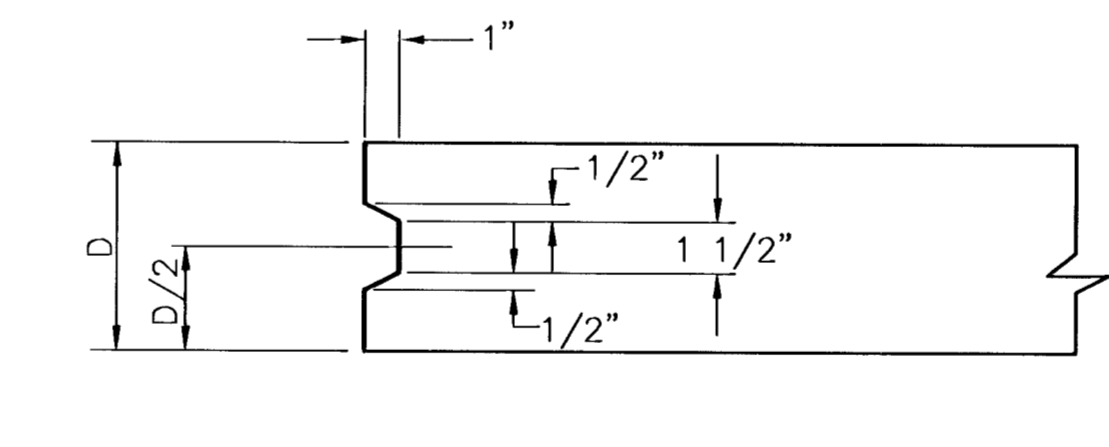


OPTIONAL LONGITUDINAL CONSTRUCTION JOINT (L.J.)
SCALE: NONE
(Alternate L.J.)

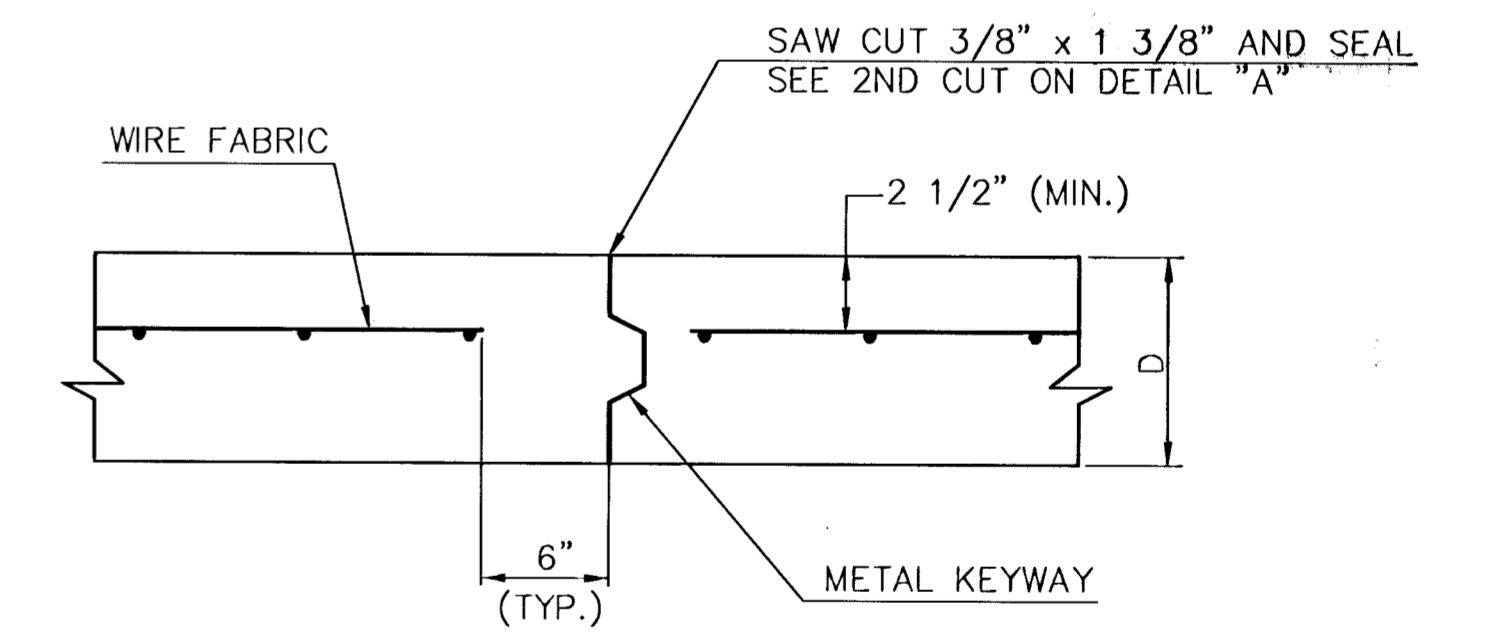


WING REINFORCING DETAIL
SCALE: NONE

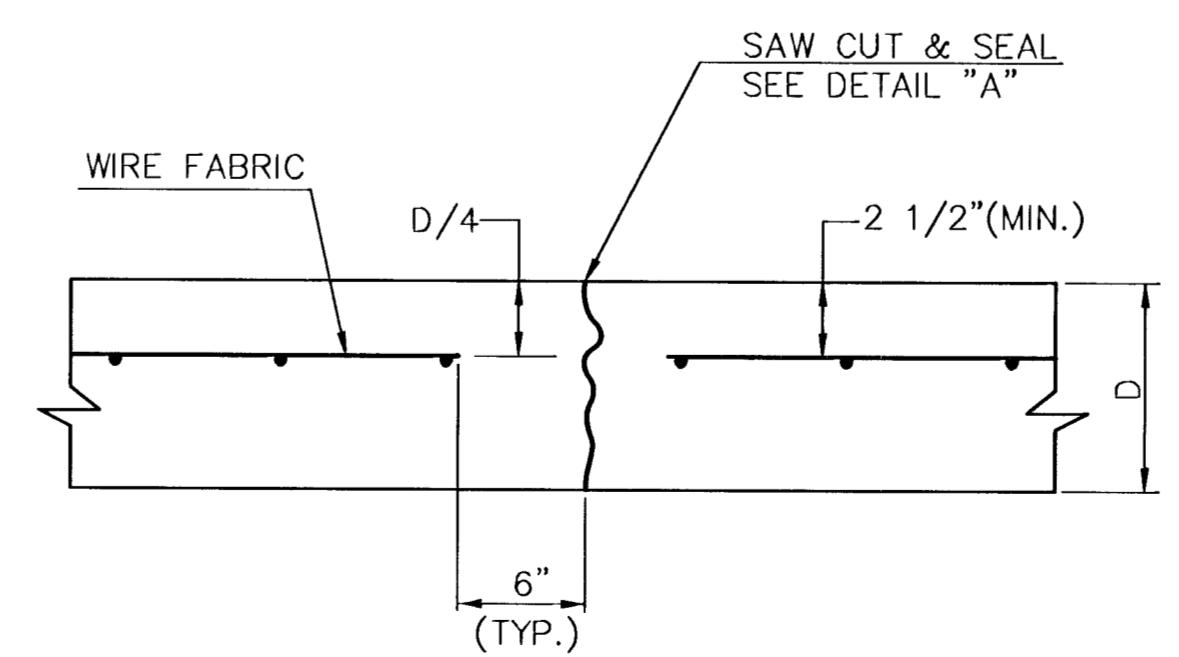
NOTE:
OMIT WIRE FABRIC REINFORCING IN THIS SECTION.



KEYWAY DETAIL
SCALE: NONE

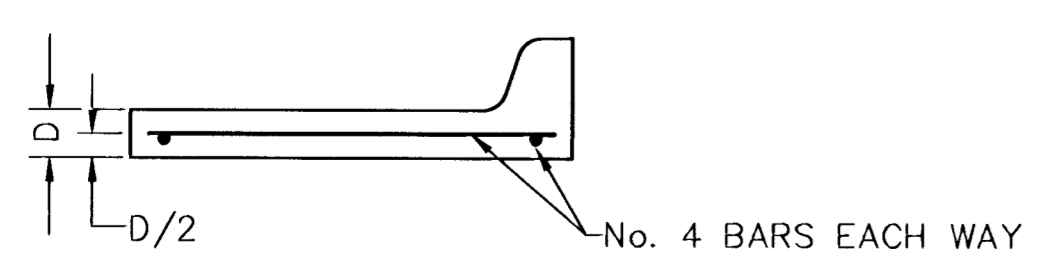


OPTIONAL CONTRACTION CONSTRUCTION JOINT (C.J.)
SCALE: NONE
(Alternate C.J.)



CONTRACTION JOINT DETAIL (C.J.)
SCALE: NONE

LEGEND
C.J. IDENTIFIES CONTRACTION JOINT
L.J. IDENTIFIES LONGITUDINAL JOINT



SECTION B-B
SCALE: NONE