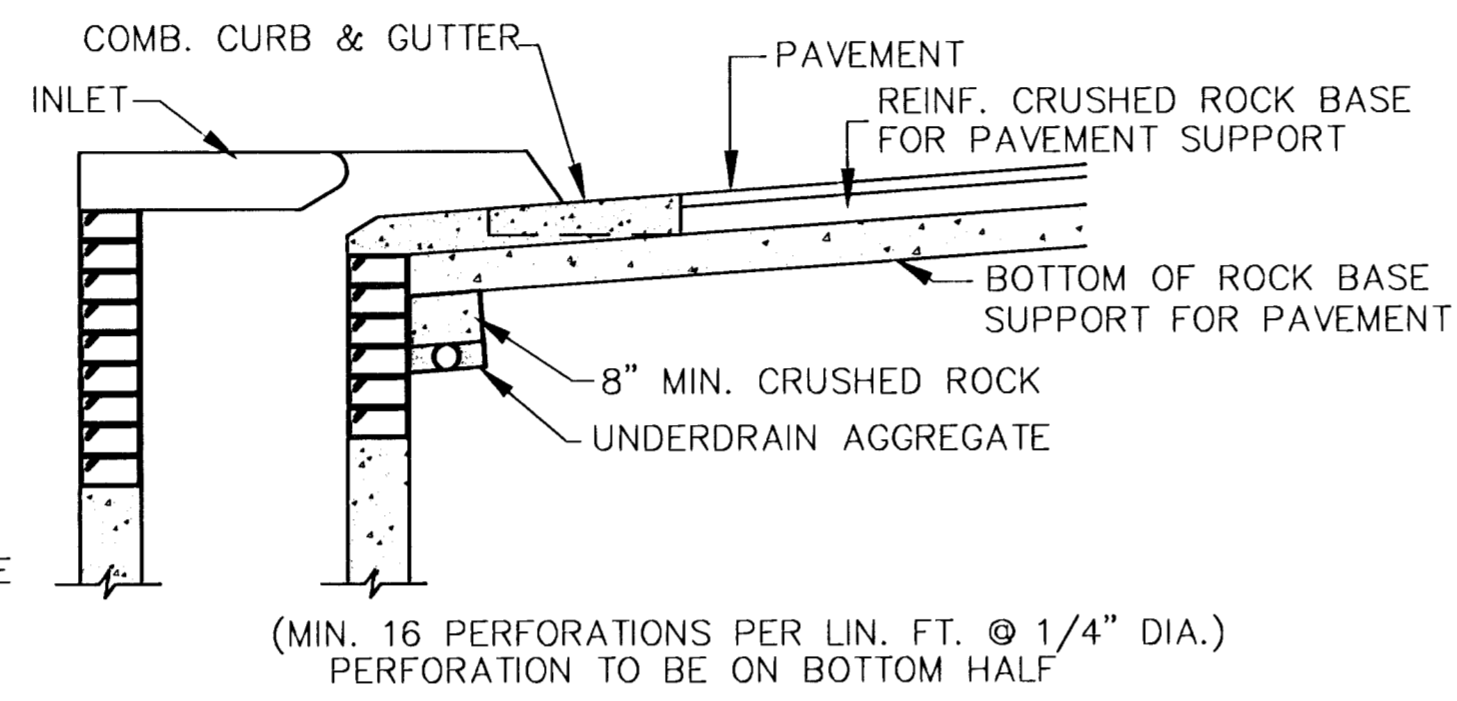


* 12" CRUSHED ROCK UNDERDRAIN AGGREGATE W/ FILTER FABRIC

* UNDERDRAIN AGGREGATE PERCENT OF AGGREGATE RETAINED

1"	0
3/4"	0 to 10
3/8"	45 to 80
#4	90 to 100
#8	95 to 100

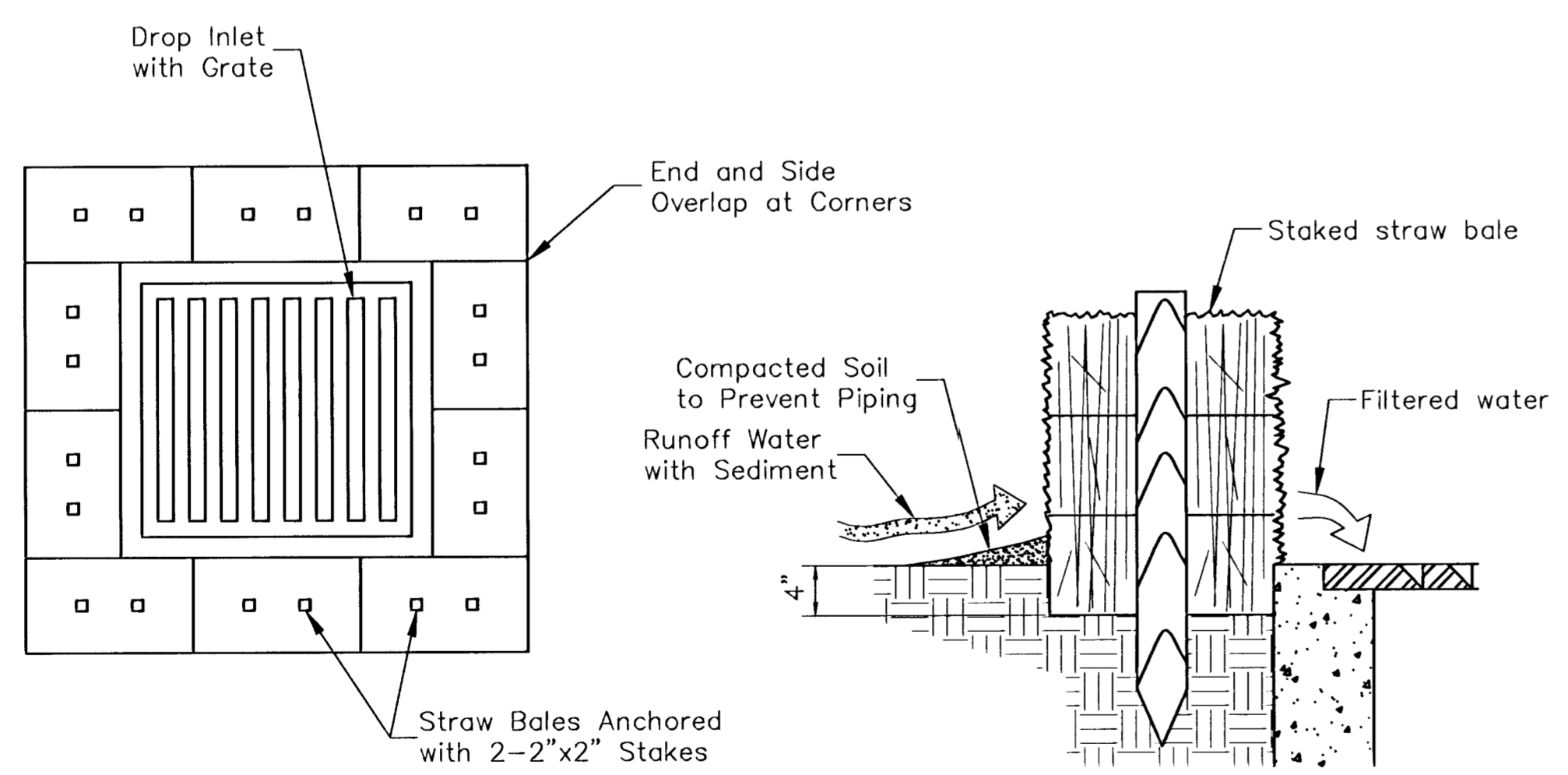
ROCK QUALITY SHALL CONFORM TO THE REQUIREMENTS SPECIFIED BY K.D.O.T. 1990 EDITION STANDARD SPECIFICATION SUBSECTION 1102 FOR DURABILITY CLASS 1.



SECTION A-A

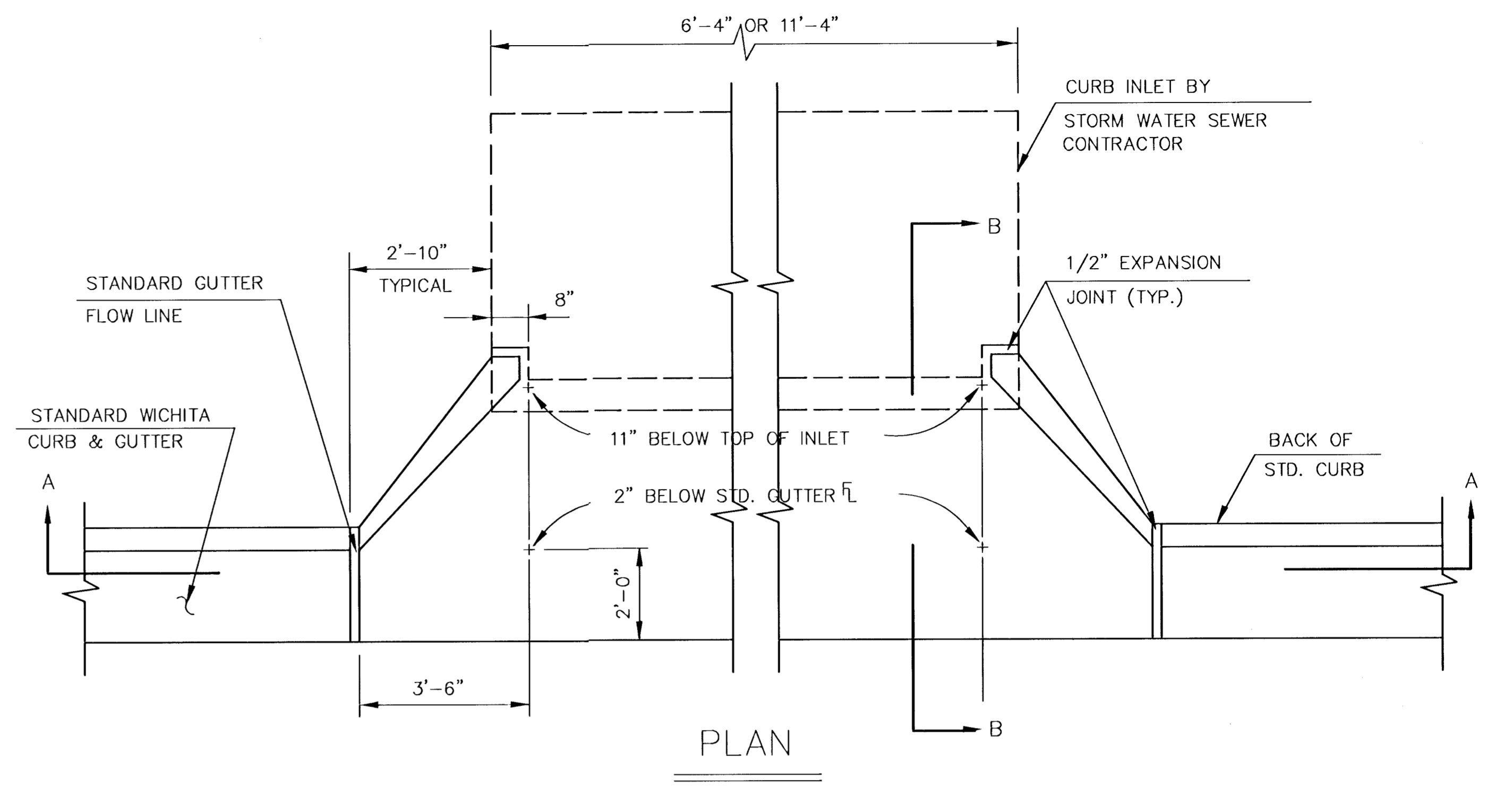
NOTE: PLACE 4" PVC PERFORATED PIPE AT ALL DRAINAGE SUMP LOCATIONS. COST OF UNDERDRAIN SYSTEM TO BE INCIDENTAL TO THE REINFORCED CRUSHED ROCK SUBGRADE. INLET TYPE MAY VARY FROM THAT SHOWN.

PAVEMENT UNDERDRAIN DETAIL

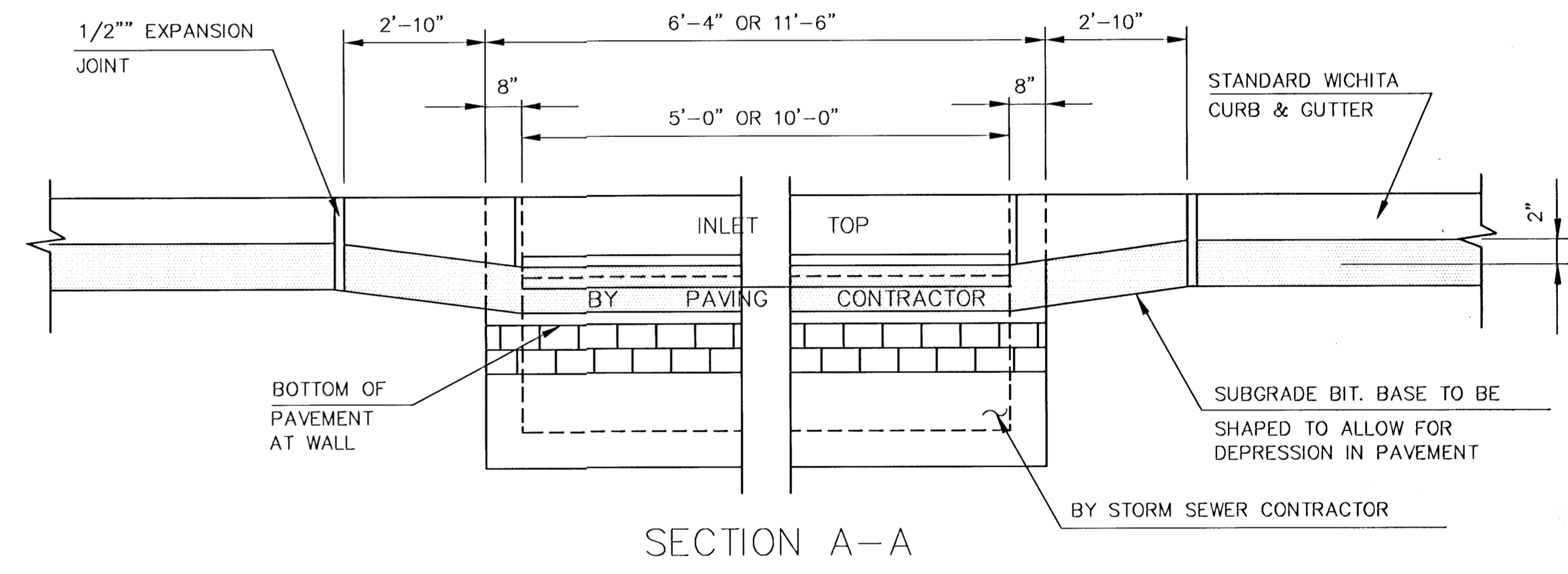


STRAW BALE DROP INLET SEDIMENT BARRIER

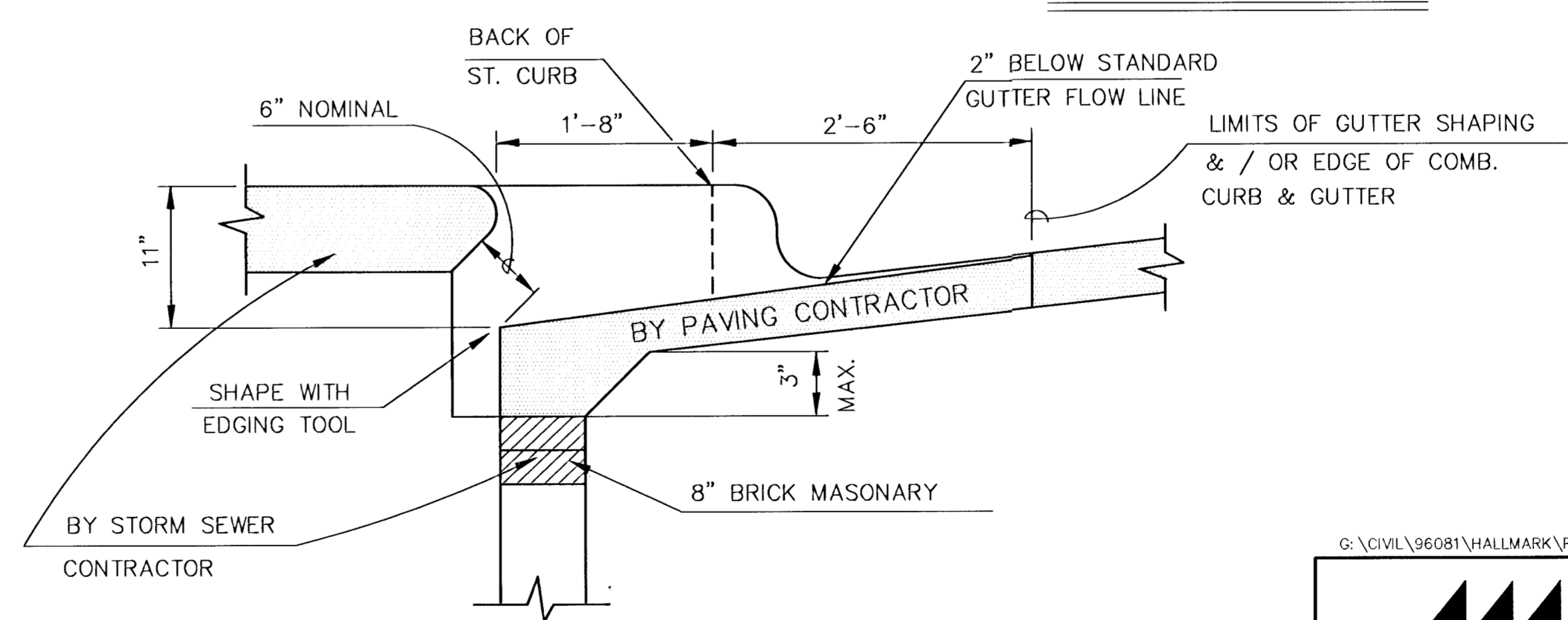
Note: Wedge loose straw between bales to prevent water from flowing between bales.



PLAN



SECTION A-A



SECTION B-B

TYPE 1A INLET HOOKUP

(BY PAVING CONTRACTOR)

GENERAL NOTES

1. USE THE CONCRETE MIX SPECIFIED FOR CITY OF WICHITA CONCRETE PAVEMENT. ALL EXPOSED EDGES SHALL BE FINISHED WITH AN EDGING TOOL.
2. TYPE 1A INLET HOOKUP WILL BE PAID EACH REGARDLESS OF SIZE.
3. ADDITIONAL CURB & GUTTER CONSTRUCTION NECESSARY TO CONNECT SET BACK INLET TO PAVEMENT WILL BE PAID FOR AT THE UNIT PRICE BID FOR EACH INLET HOOKUP. (BY PAVING CONTRACTOR)

G:\CIVIL\96081\HALLMARK\PHASE2\PAVE\01123ED6.DWG

ROCKY CREEK ADDITION-HALLMARK PHASE 2
PROJECT NAME

KEY MAP
SHEET TITLE

CJA DESIGN BY: **BDM/KKL** DRAWN BY: **DFL** CHECKED BY:

JUNE 2001 DATE: **00062' BK** DRAWING NAME: **7 / 32** SHEET / OF

411 N. WEBB ROAD
WICHITA, KS. 67206
316-684-9600