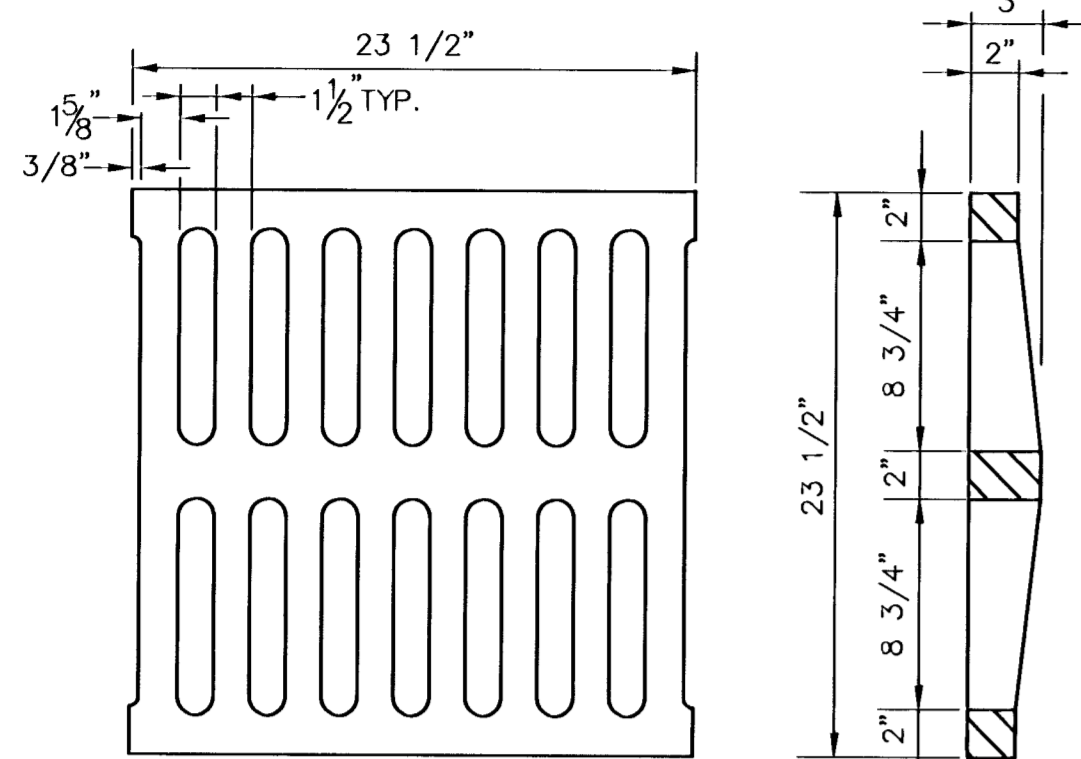
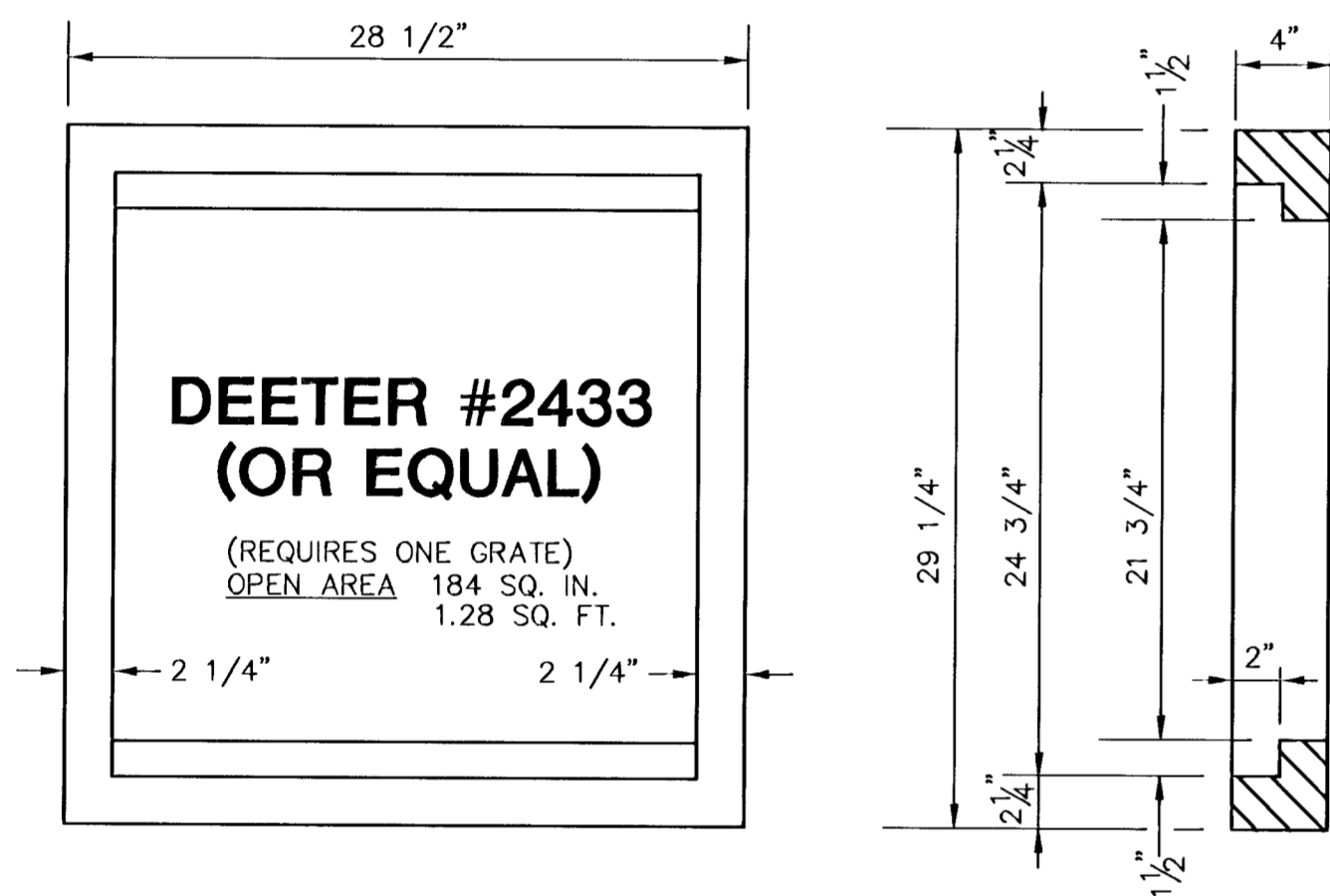


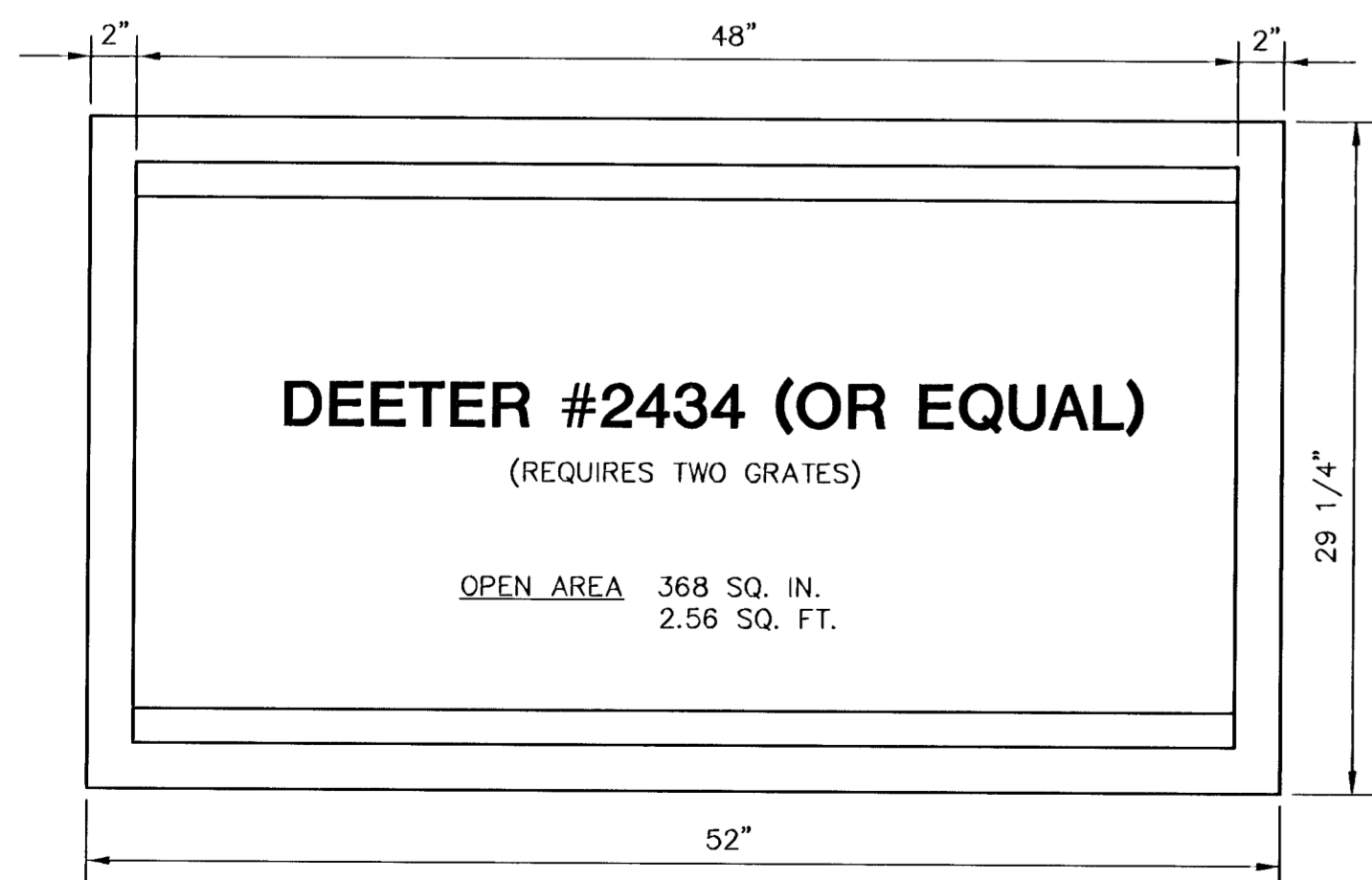
NOTE: GRATES SHALL BE IMPRINTED ON THE TOP SURFACE WITH "CITY OF WICHITA" USING LETTERS AT LEAST 1" IN HEIGHT. OTHER MARKING METHODS MAY BE USED ONLY IF APPROVED BY THE ENGINEER.



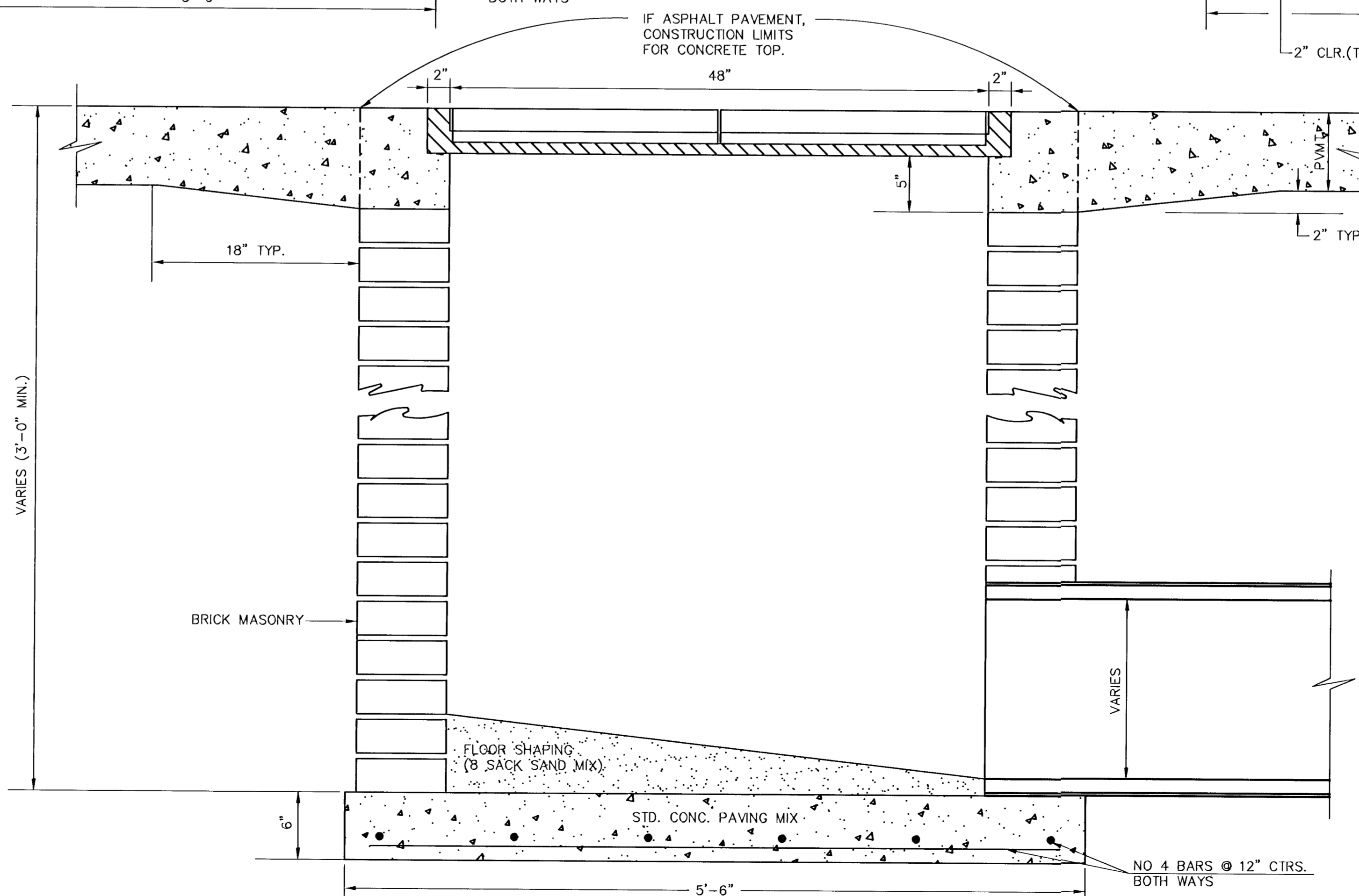
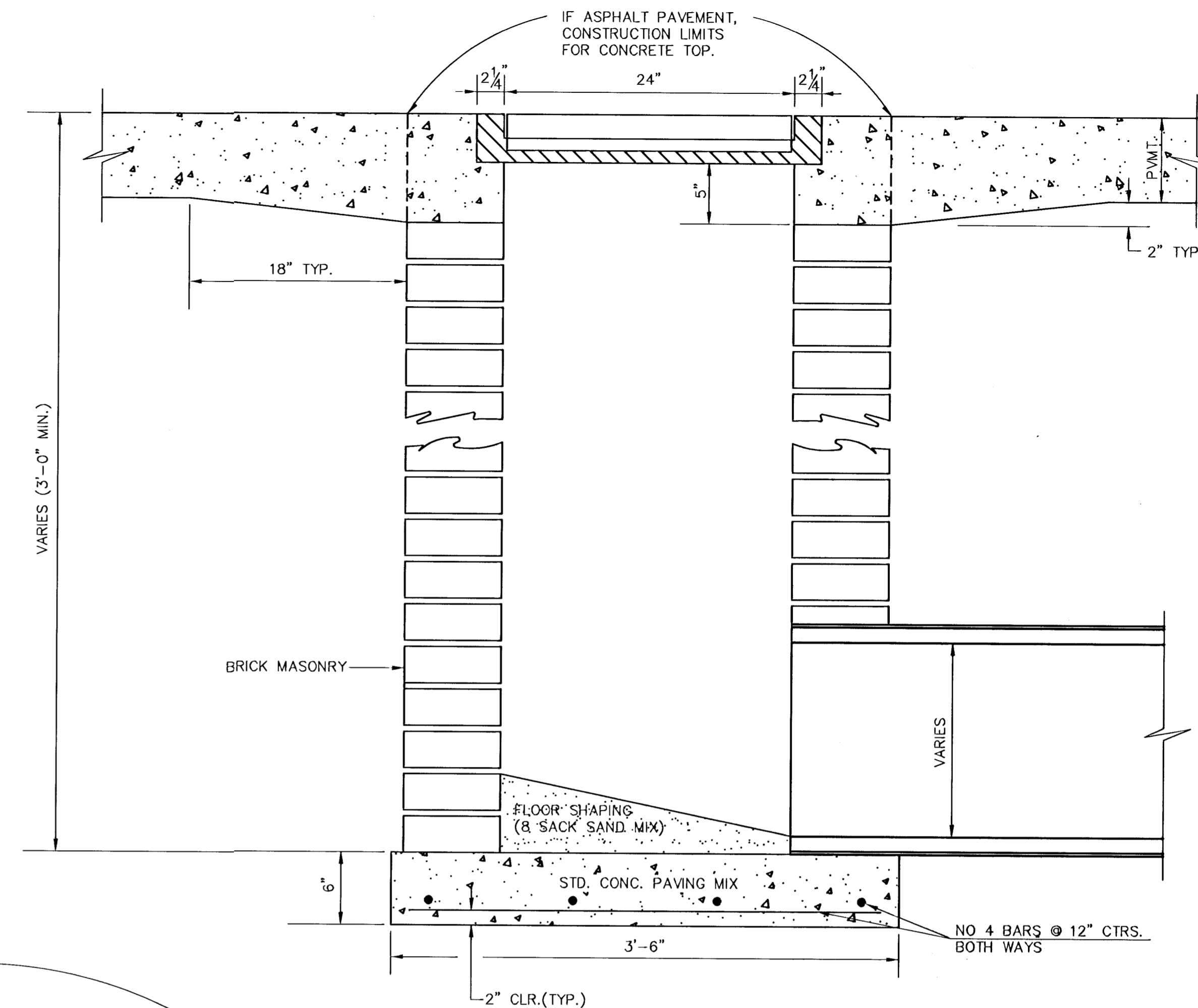
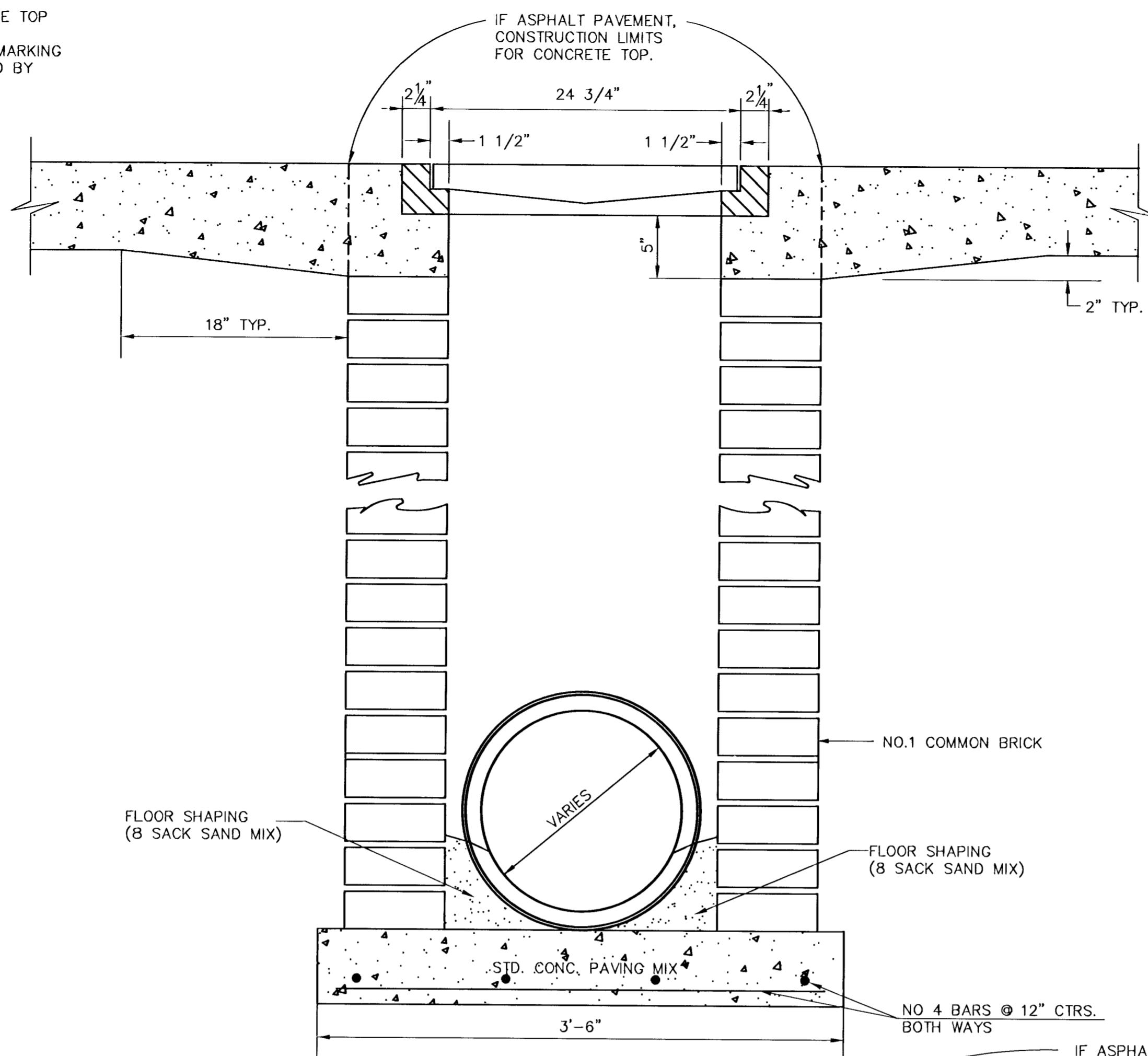
24"x24" GRATE DETAIL



SINGLE 24"x24" FRAME DETAIL



DOUBLE 24"x24" FRAME DETAIL



ORIFICE EQUATION		
$Q = C \cdot A \cdot \sqrt{2gh}$ $C = 0.60$		
h (DEPTH)	#2433 (SINGLE)	#2434 (DOUBLE)
0.1	1.95 cfs	3.89 cfs
0.2	2.75 cfs	5.50 cfs
0.3	3.37 cfs	6.74 cfs
0.4	3.89 cfs	7.78 cfs
0.5	4.35 cfs	8.70 cfs
0.6	4.77 cfs	9.53 cfs
0.7	5.15 cfs	10.30 cfs
0.8	5.50 cfs	11.01 cfs
0.9	5.84 cfs	11.67 cfs
1.0	6.15 cfs	12.30 cfs

REVISIONS: 5-8-90 JNJ

G:\CIVIL\96081\HALLMARK\PHASE2\PAVE\01123ED12.DWG

### DROP INLET DETAILS

CITY OF WICHITA, KANSAS

Design	C.O.W.	Checked by	Checked by	20 / 32
Drawn by		Date	Date	Job No.

G:\CIVIL\96081\HALLMARK\PHASE2\PAVE\01123ED12.DWG Tue Jun 26 14:28:01 2001