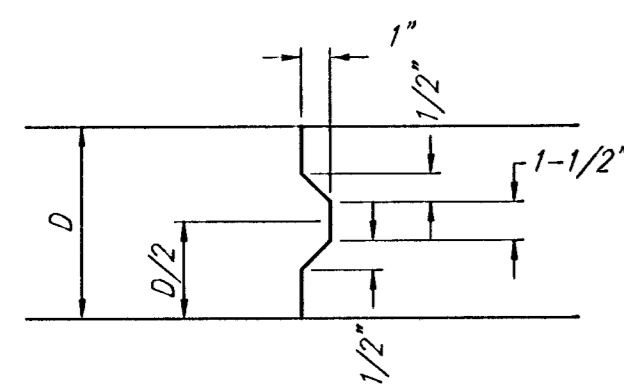
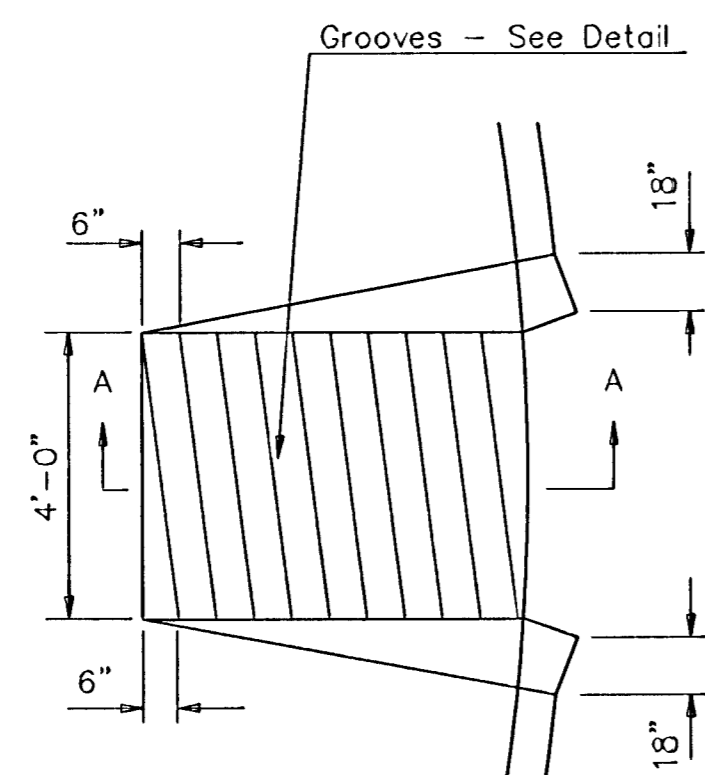


**EXPANSION JOINT**

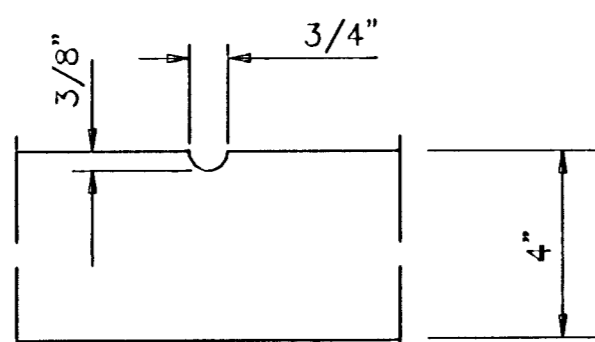
NOTE: Extra Thickness to be Subsidiary to Price of Square Yards Pavement



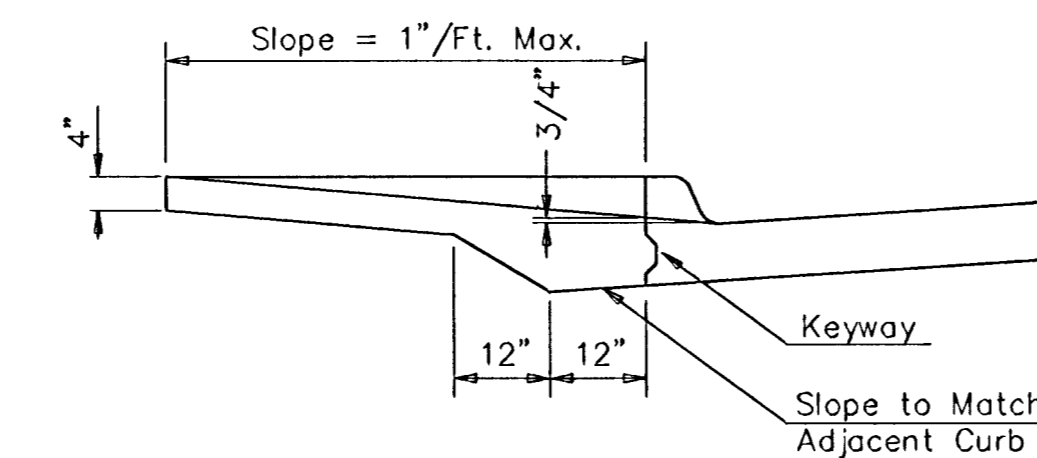
**KEYWAY DETAIL**



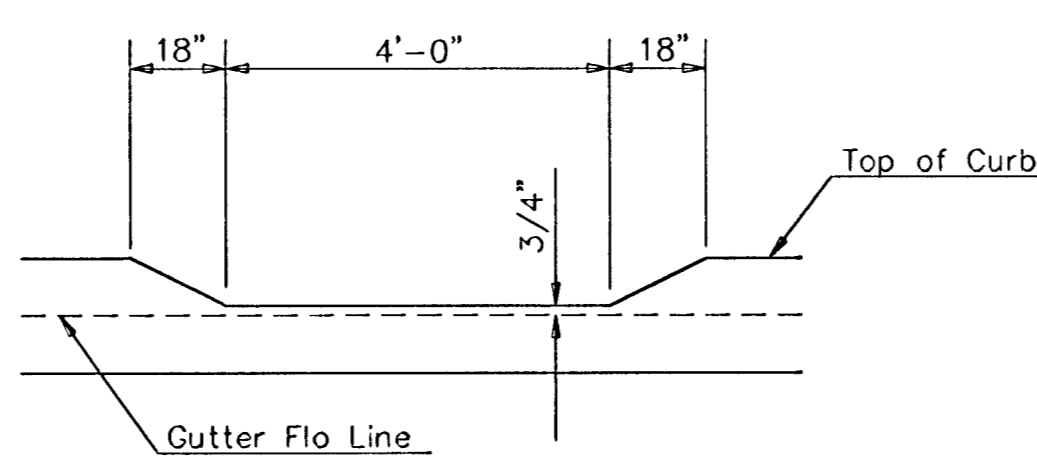
**WHEELCHAIR RAMP PLAN VIEW**



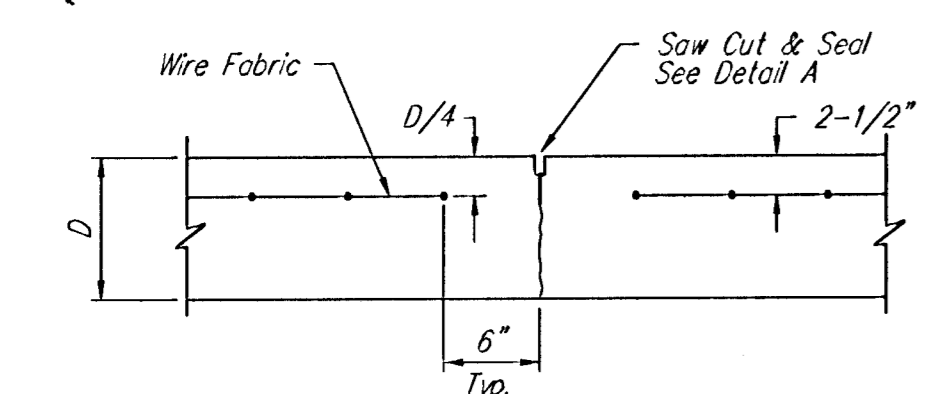
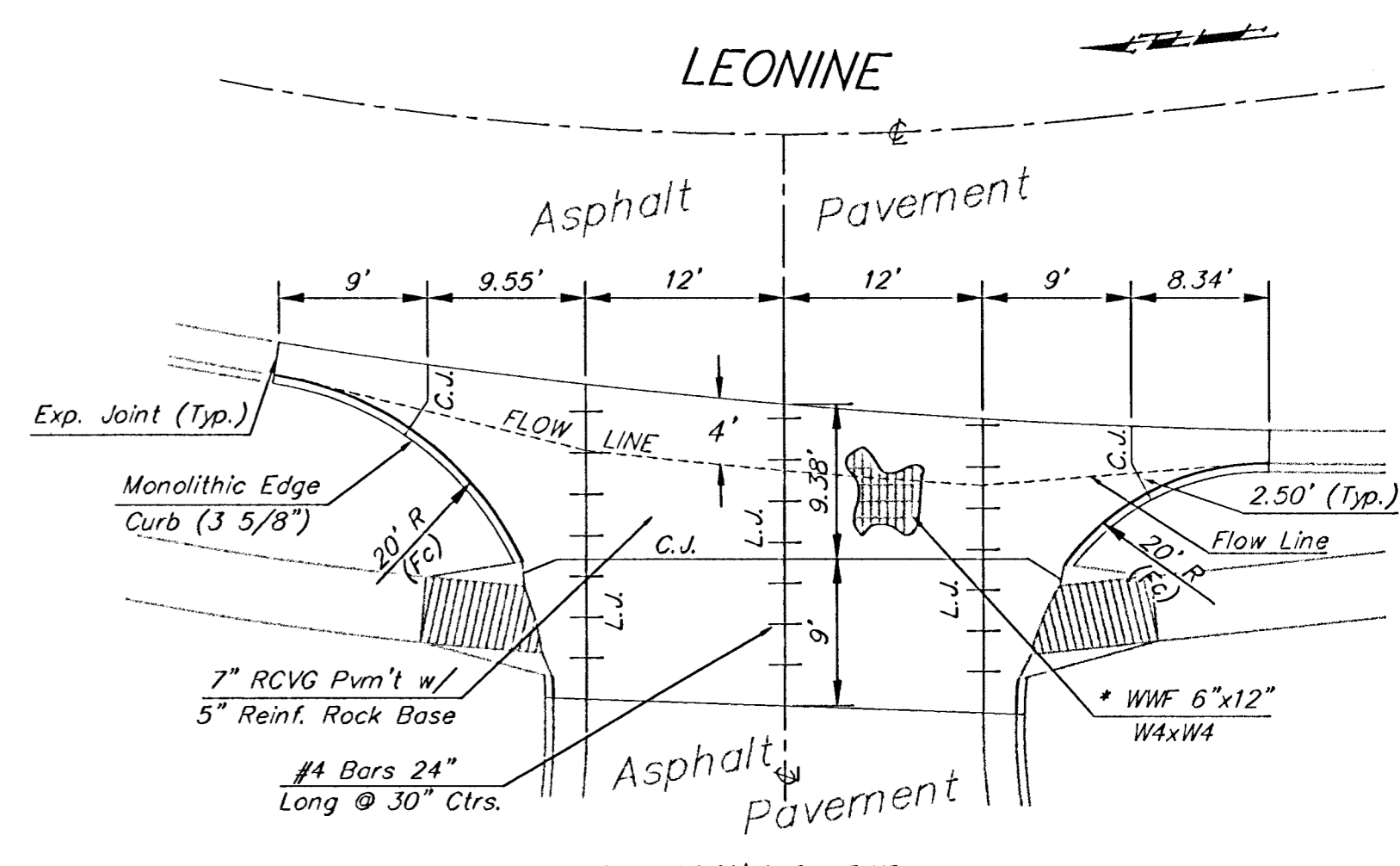
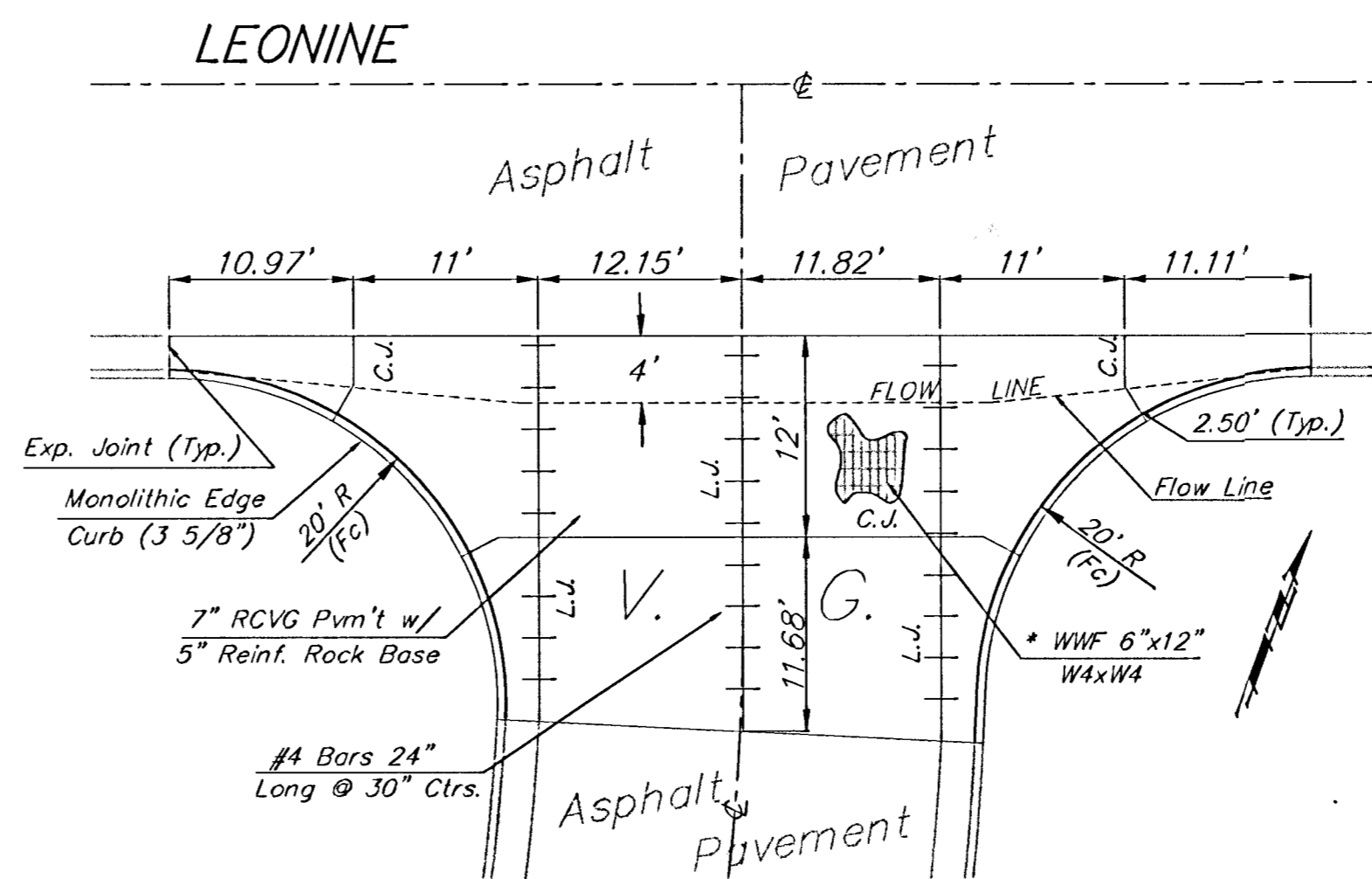
**GROOVE DETAIL**



**SECTION A-A**

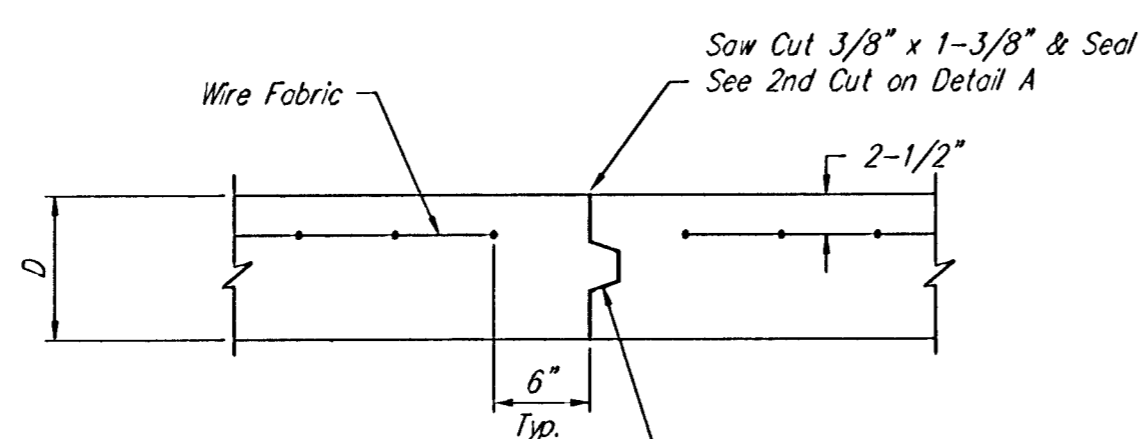


**DEPRESSED CURB DETAIL**

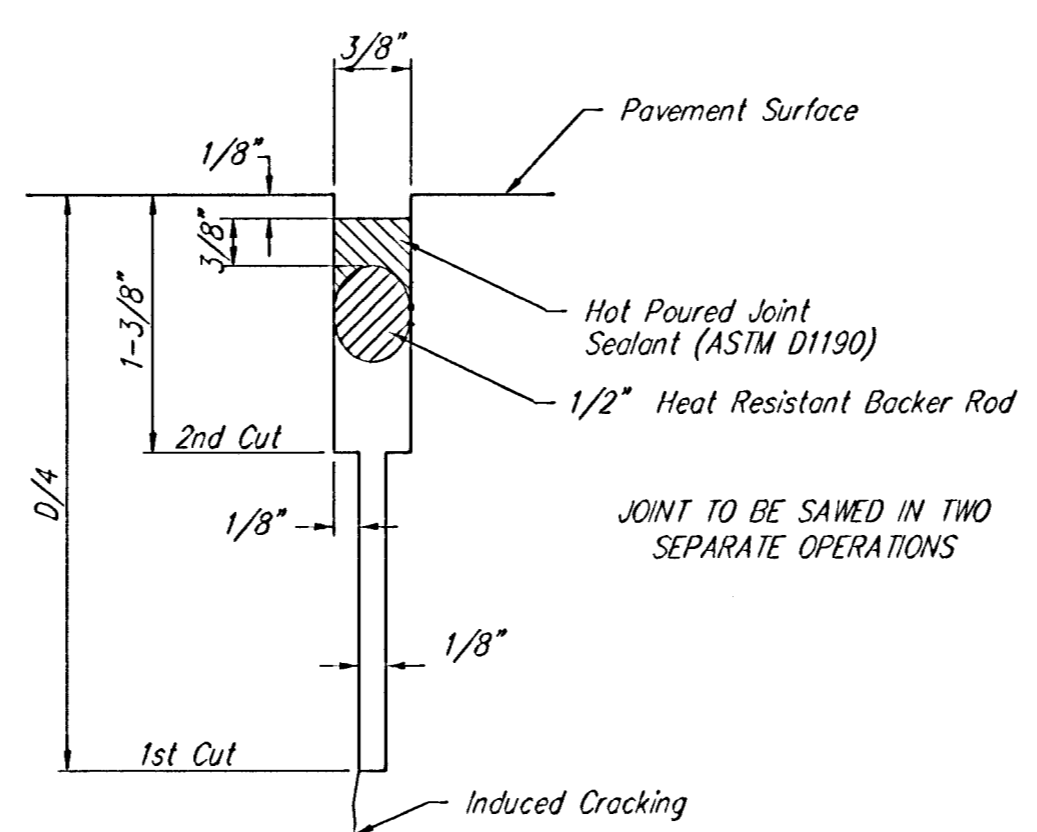


**CONTRACTION JOINT DETAIL (C.J.)**

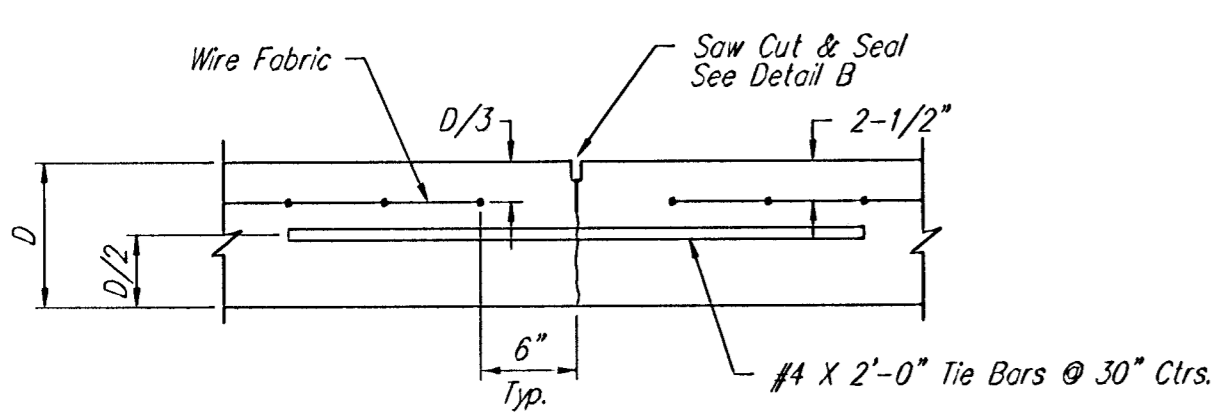
**WHEELCHAIR RAMP DETAIL**



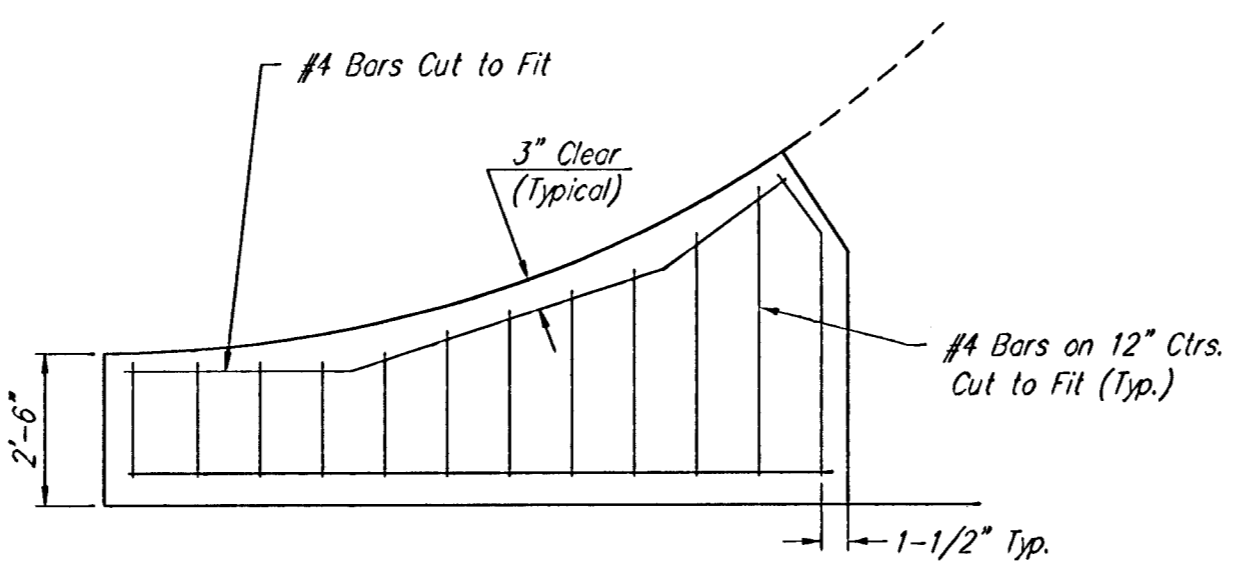
**OPTIONAL CONTRACTION JOINT (CONSTRUCTION JOINT)**



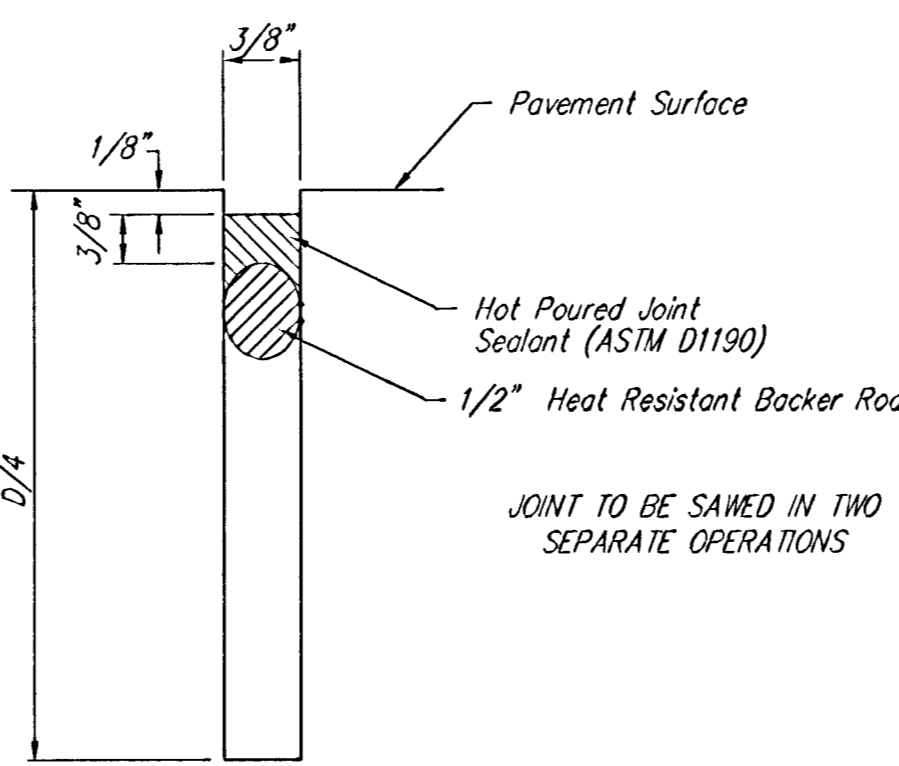
**SAW JOINT DETAIL "A"**



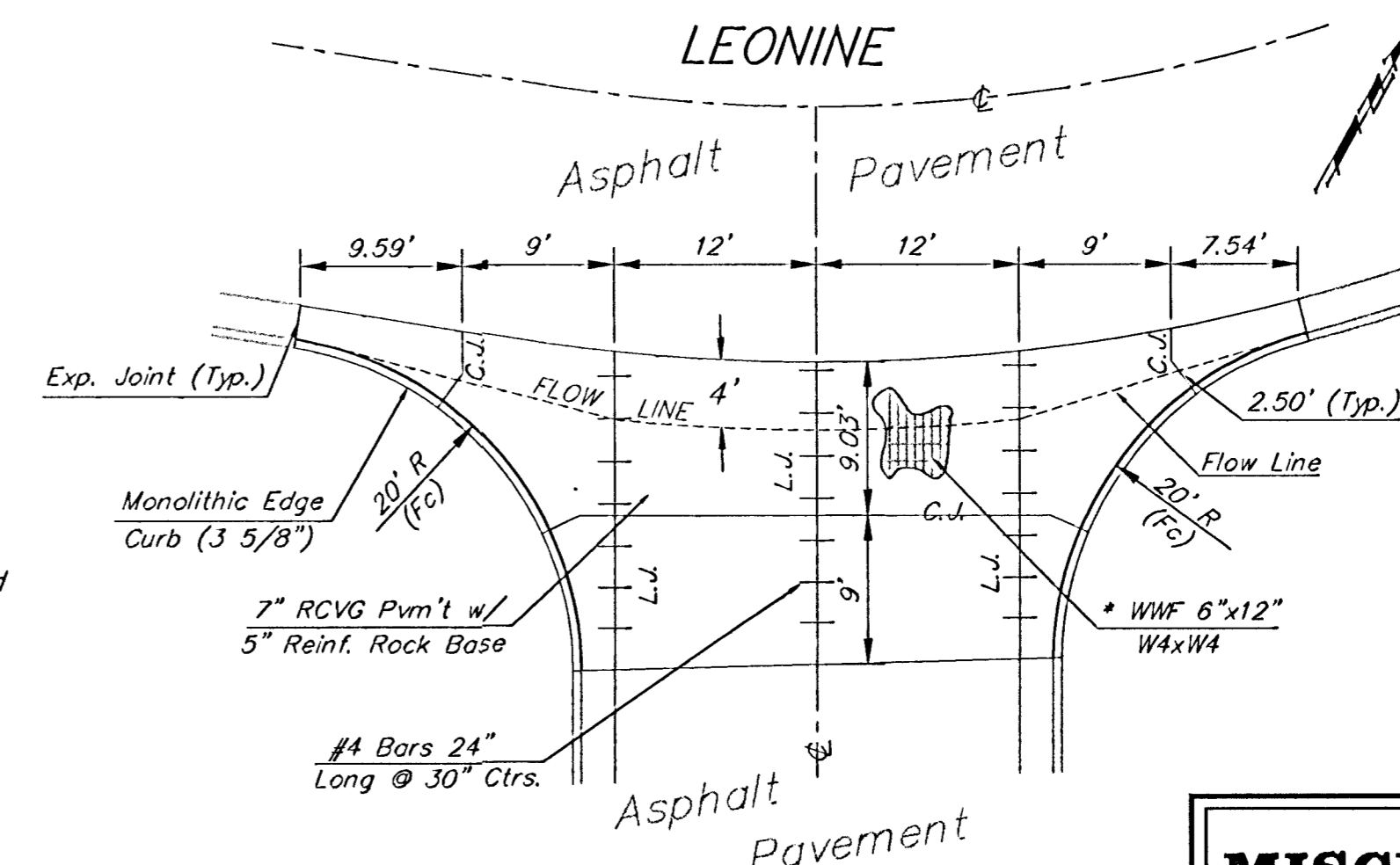
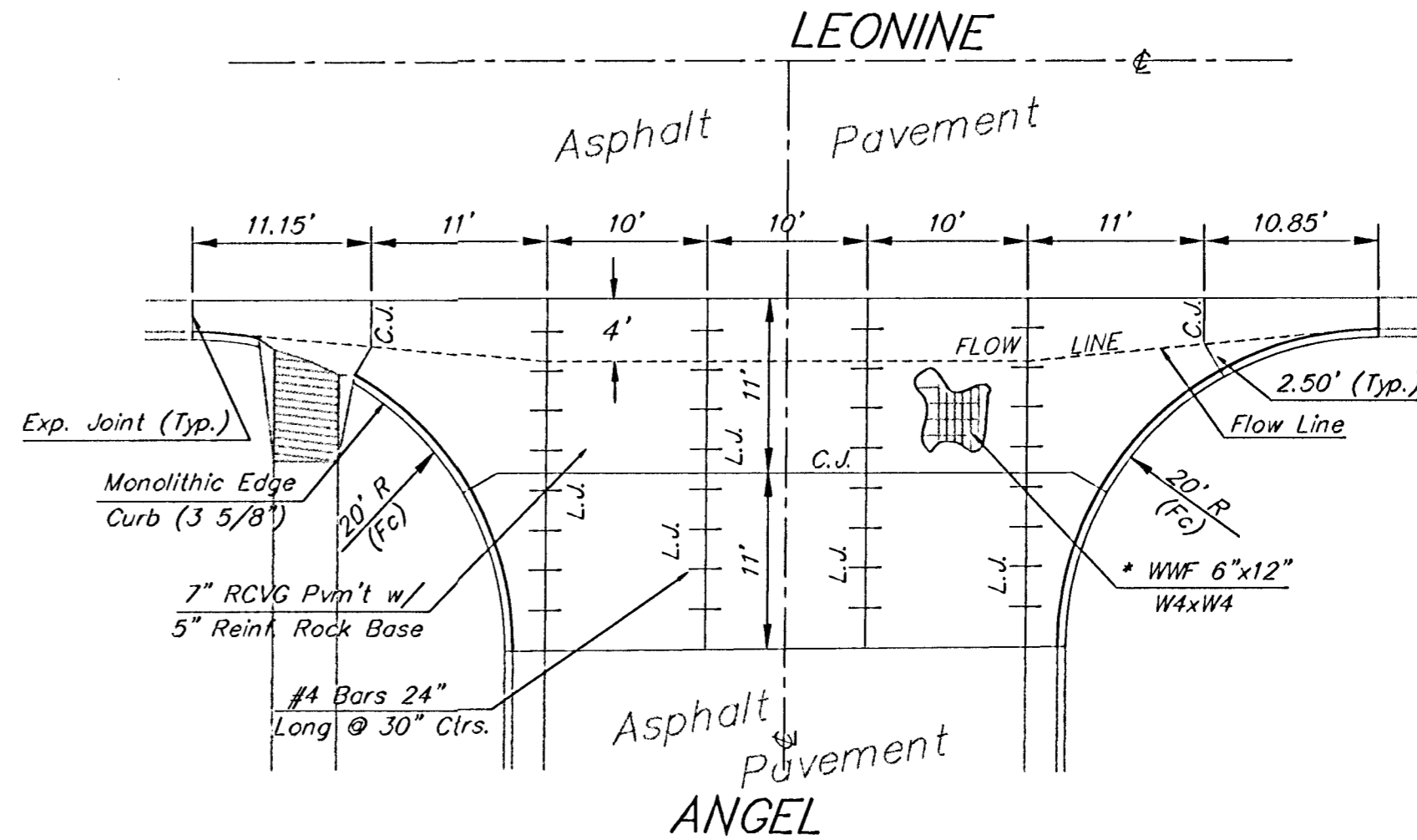
**LONGITUDINAL JOINT DETAIL (L.J.)**



**WING REINFORCING DETAIL**



**SAW JOINT DETAIL "B"**



**VALLEY GUTTER DETAILS**

Scale: 1" = 10'  
\*NOTE: 6" X 12" W4XW4 Wire Fabric Reinforcing Shall Be Placed So That The Wires With The 6" Spacing Will Run Parallel With The Longitudinal Joints.

**OPTIONAL LONGITUDINAL JOINT DETAIL (L.J.) (CONSTRUCTION JOINT)**

**MISCELLANEOUS DETAILS**

**BAUGHMAN COMPANY P.A.**  
ENGINEERING, SURVEYING, & PLANNING  
316-282-7271 • 315 ELLIS • WICHITA, KANSAS 67211

PROJECT NUMBER  
**472-83282**

DESIGN STAFF    DRAWN STAFF    APPROVED    DATE    SCALE NONE    SHEET **5** OF **28**