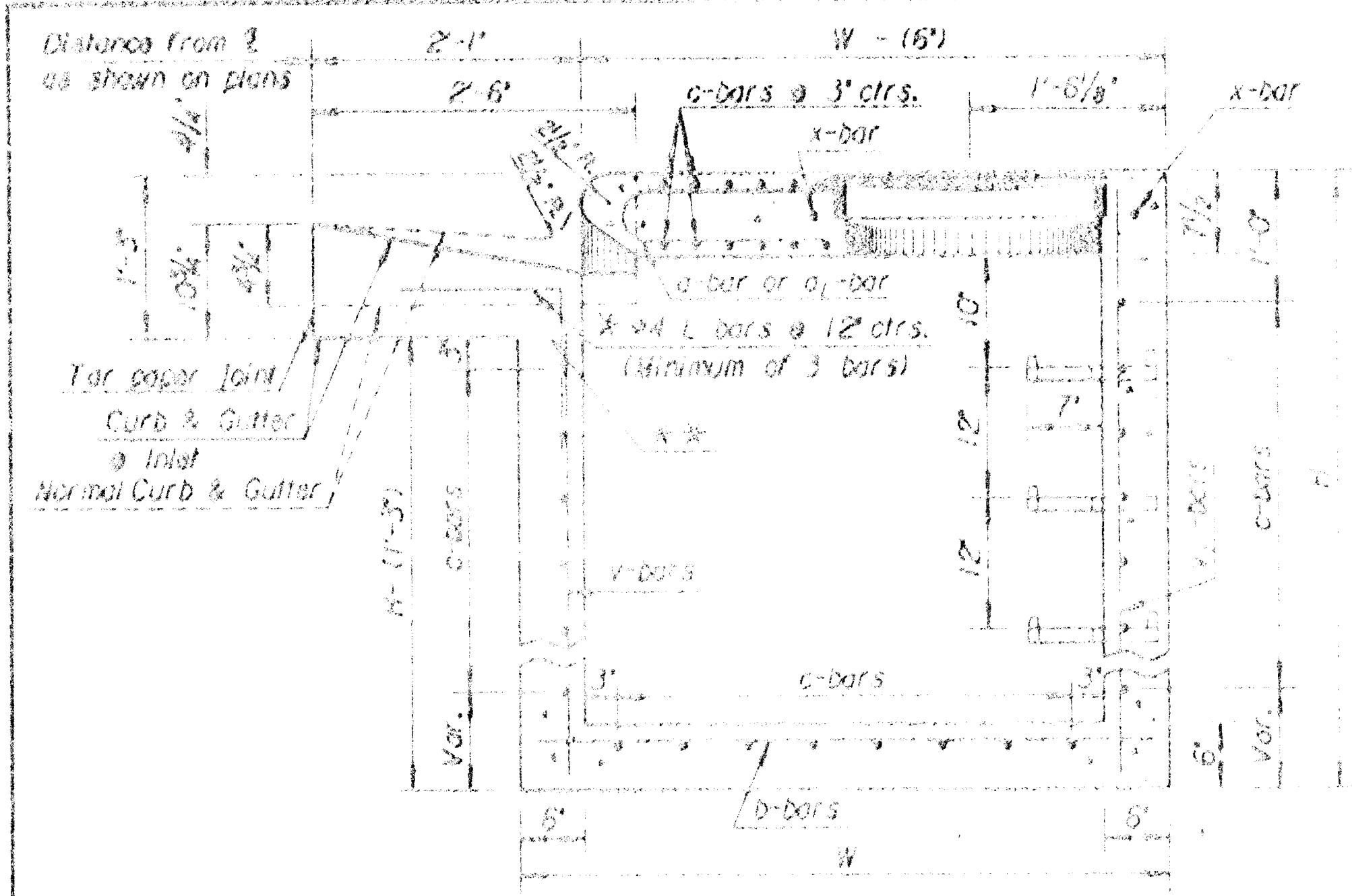
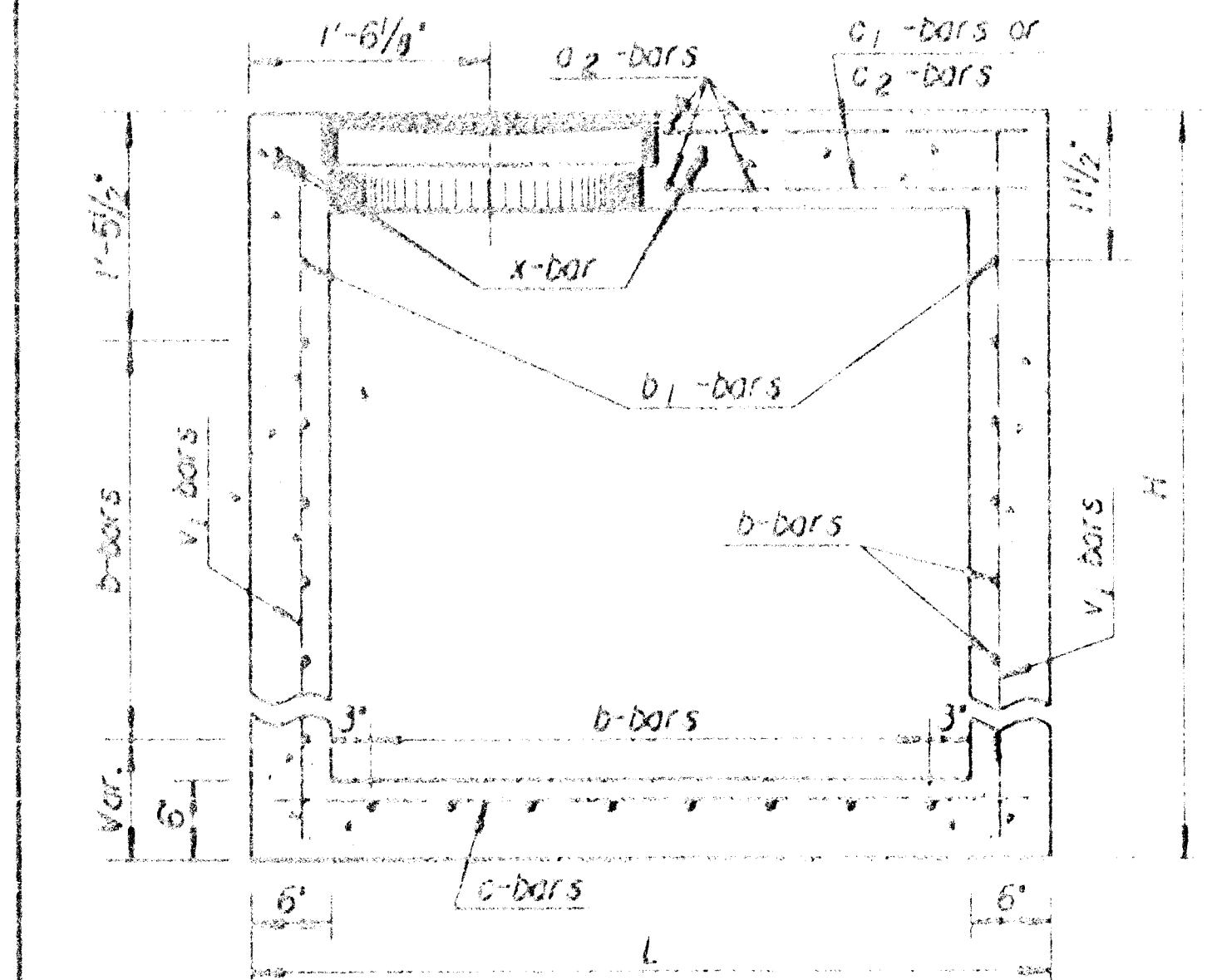


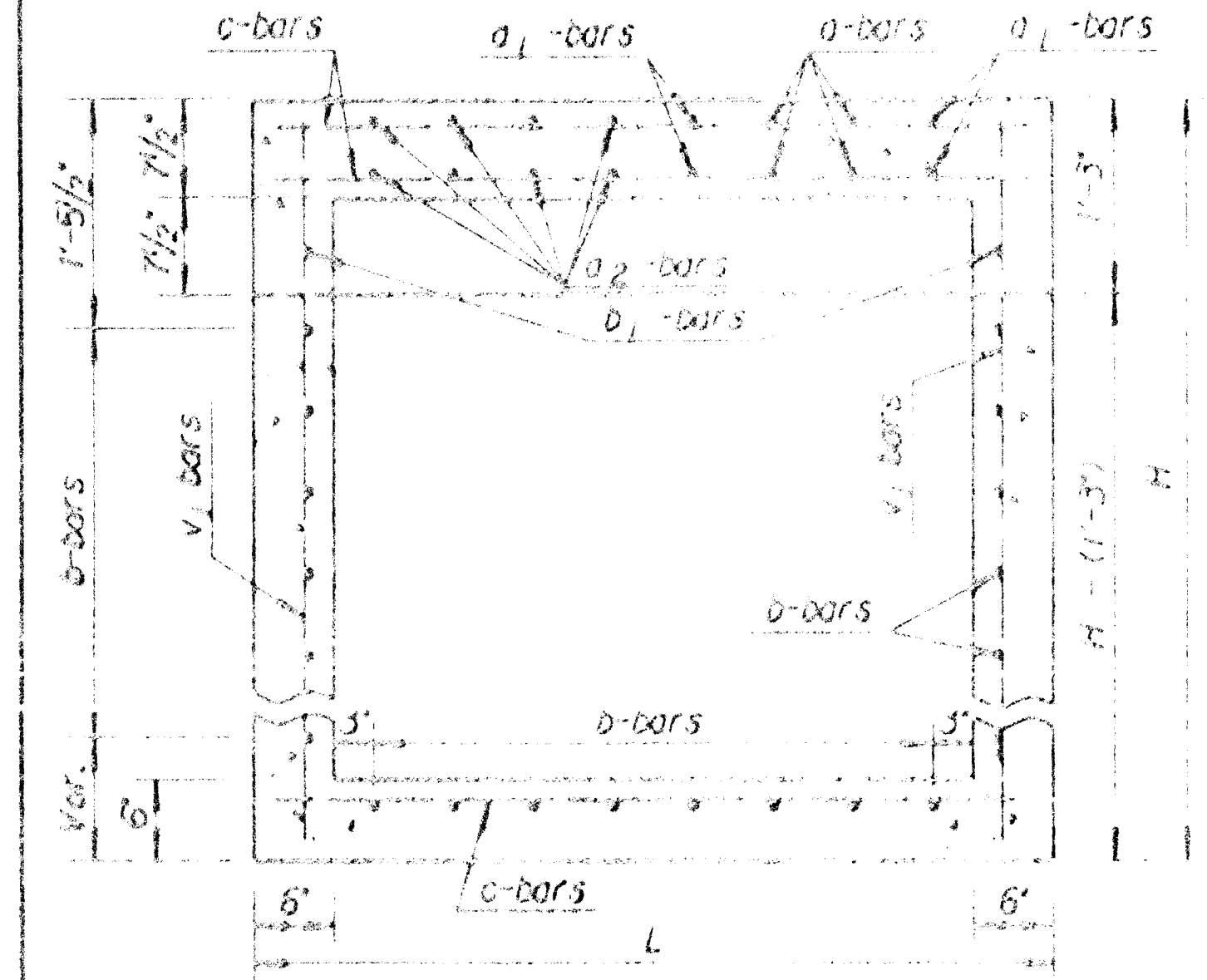
PLANS	STATE	PROJECT NO.	SHEET NO.	TOTAL SHEETS
1	KANSAS	472 75 215 81858 0000000	9	16



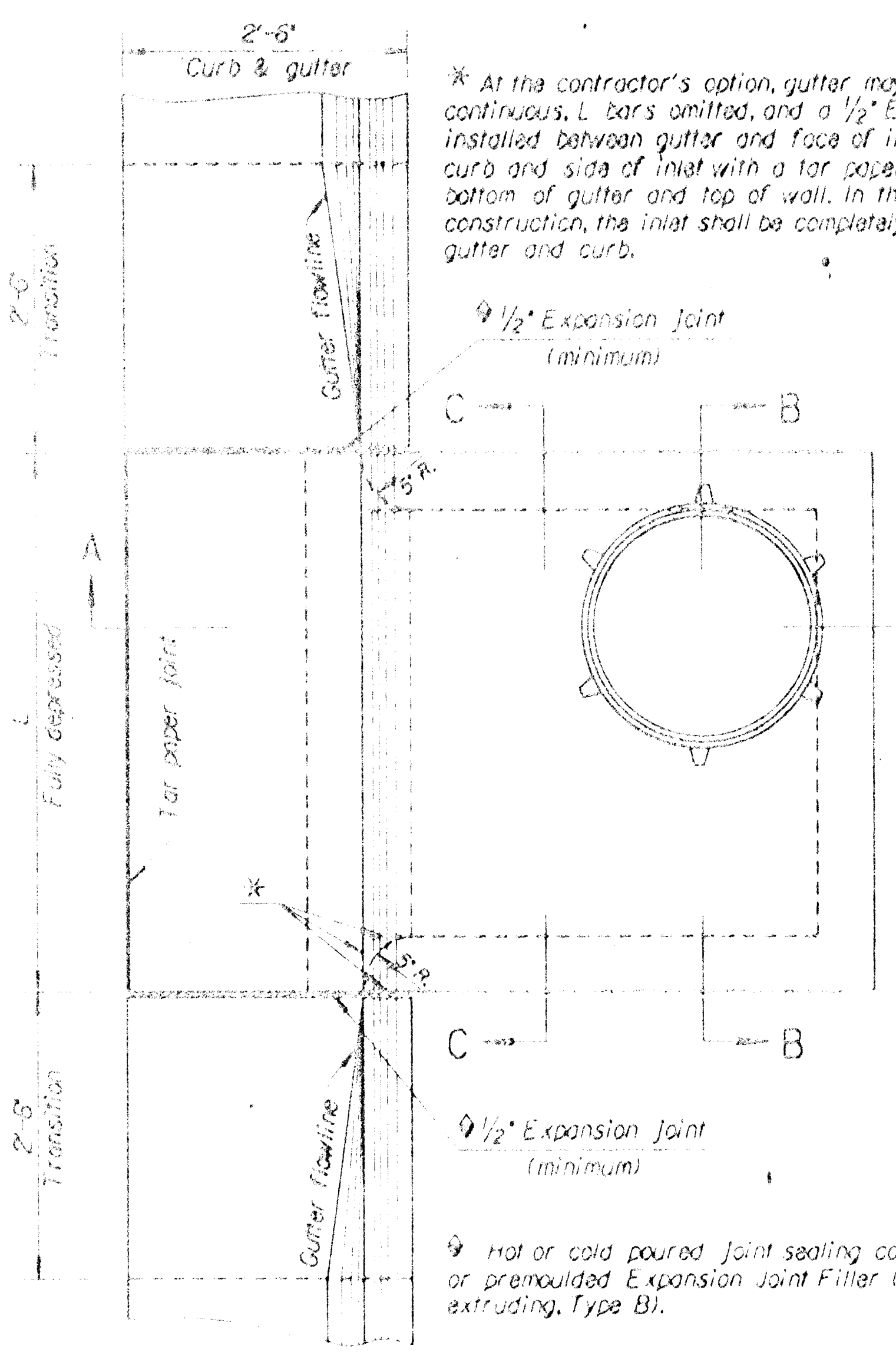
SECTION A-A



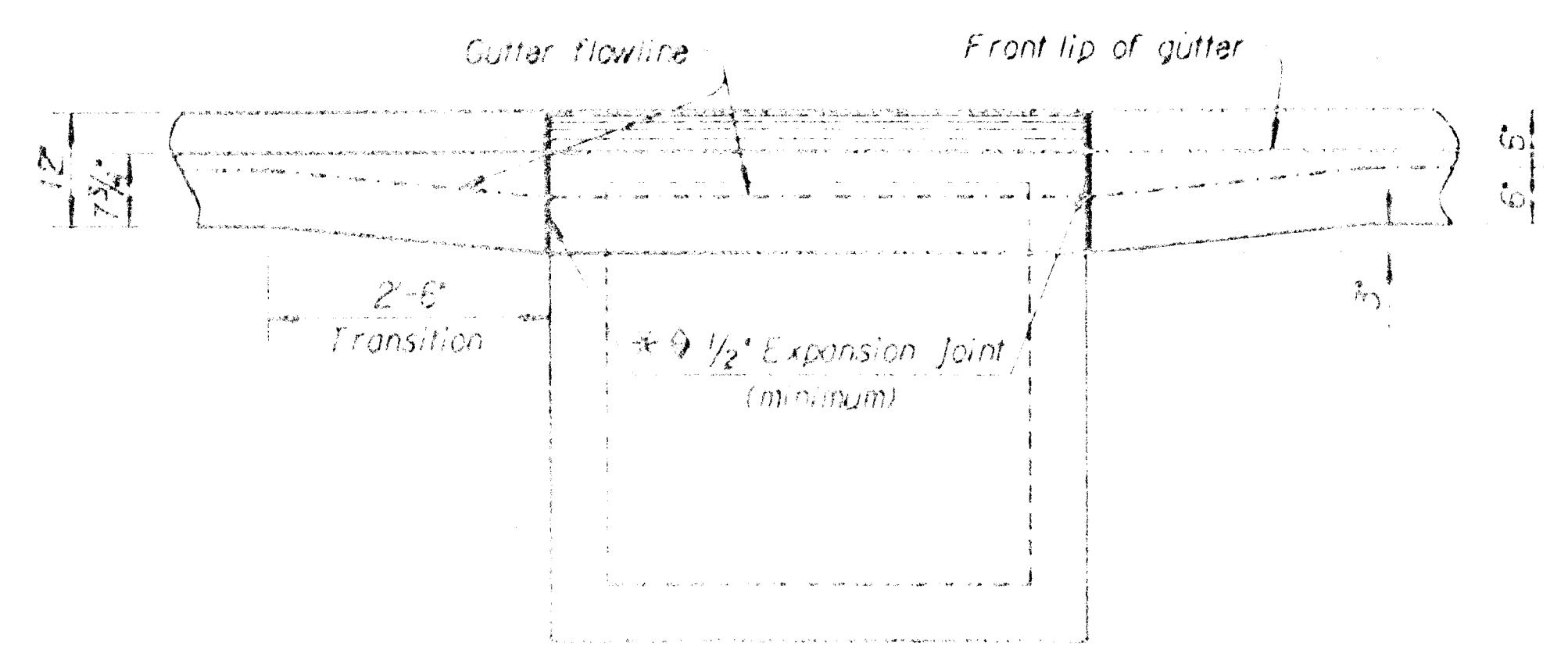
SECTION B-B



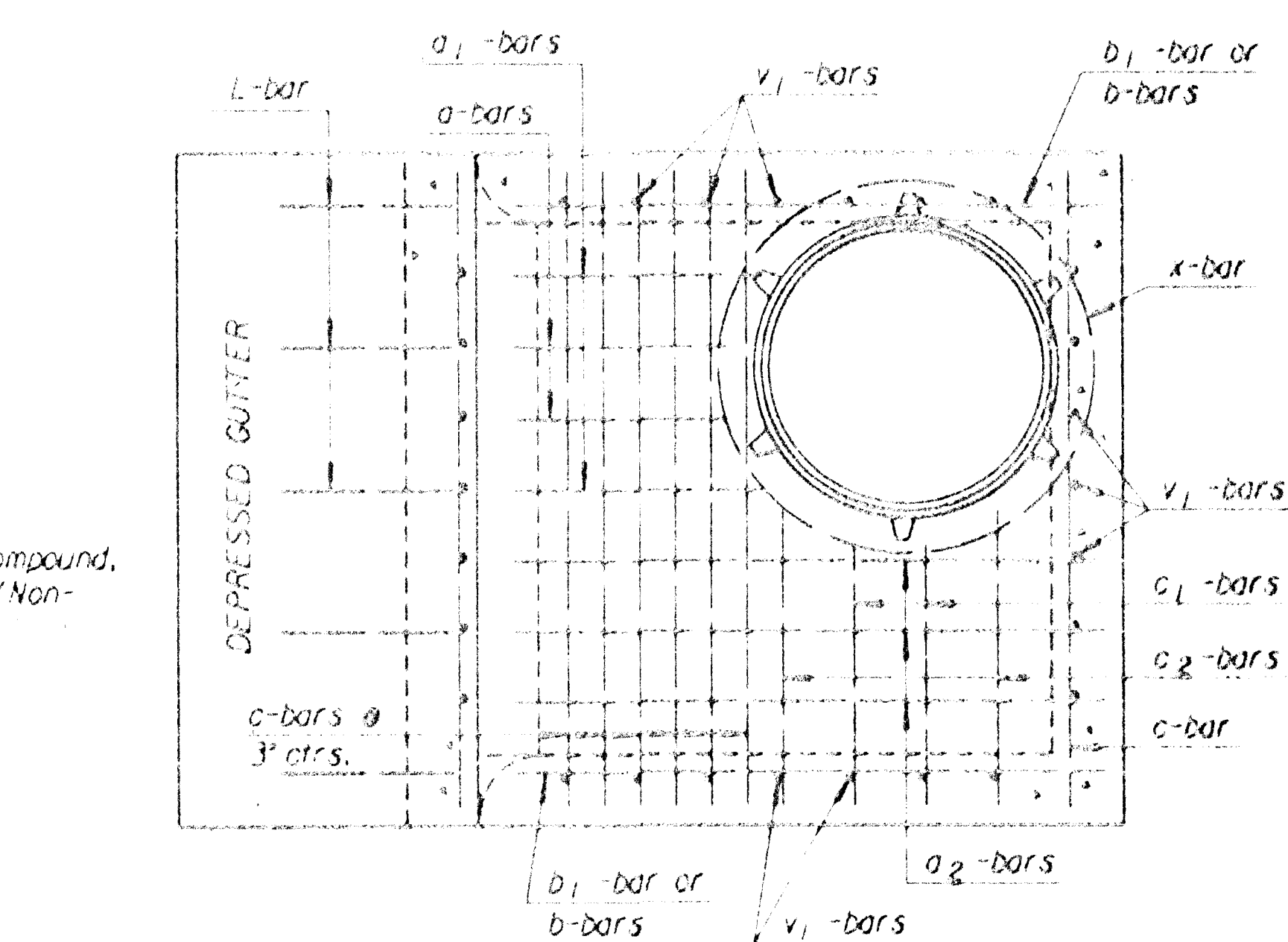
SECTION C-C



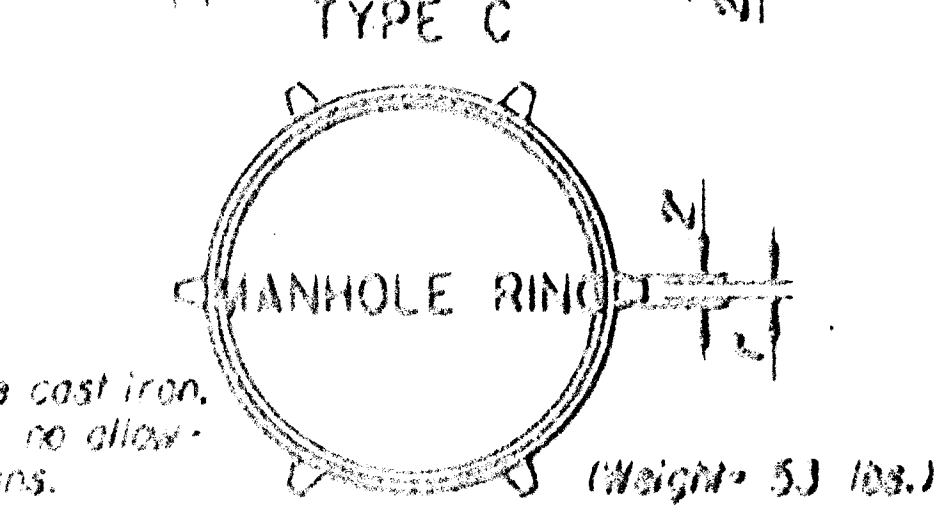
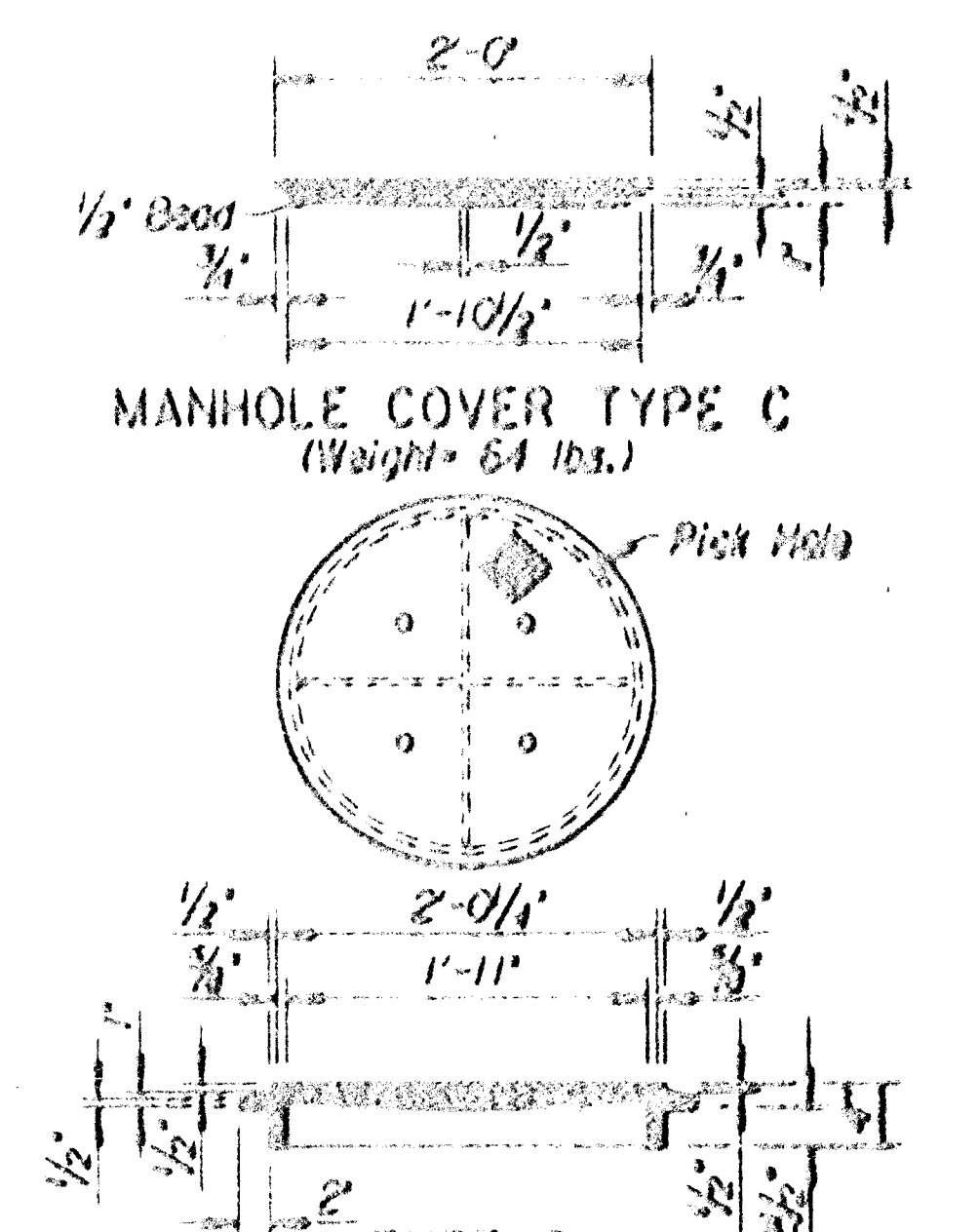
PLAN



ELEVATION



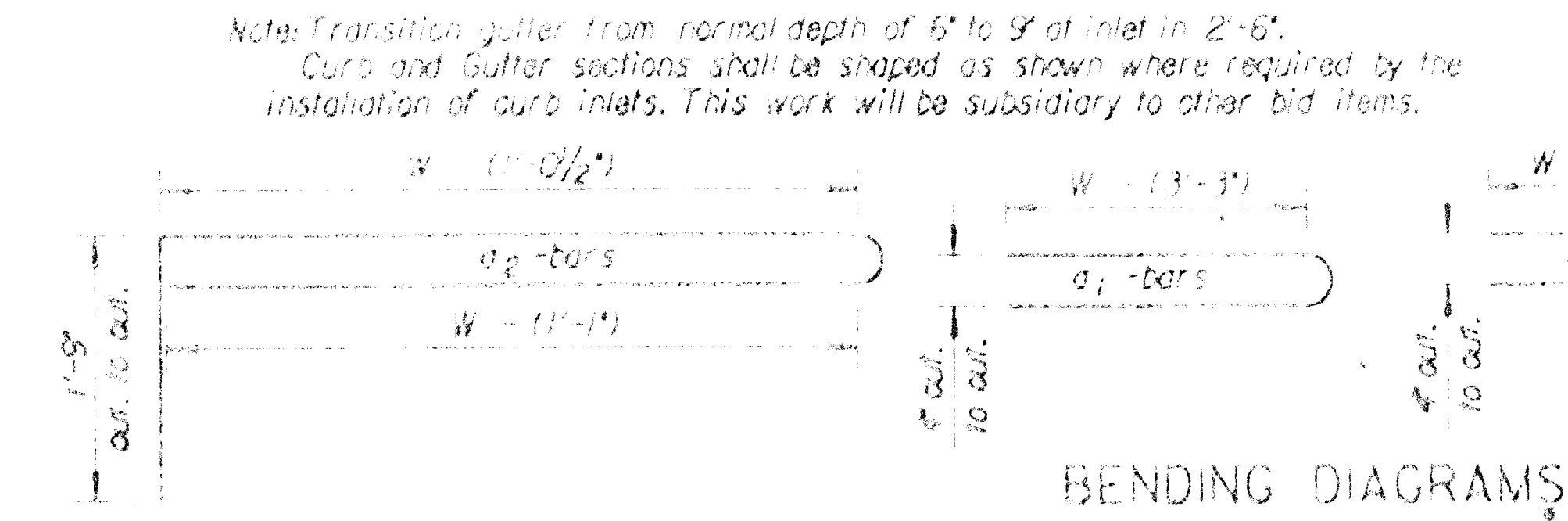
Reinforcing Steel Top View



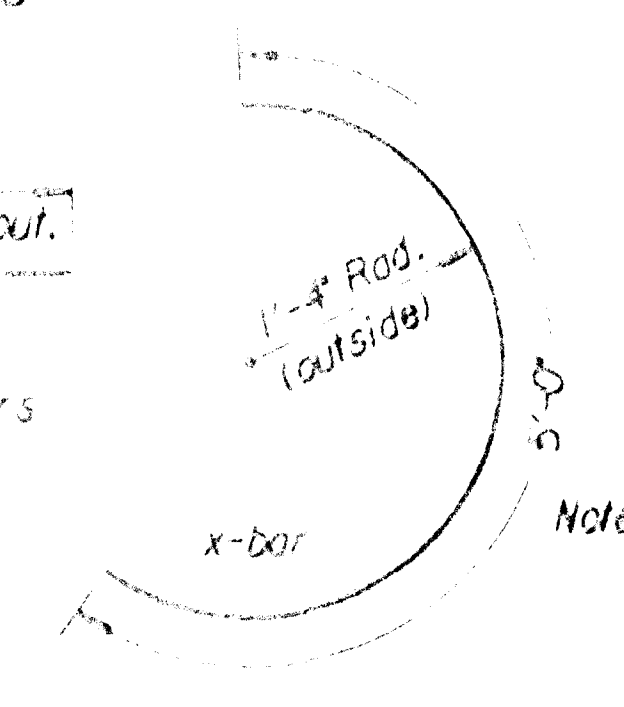
NOTE: All manhole castings are cast iron. Weight of castings includes no allowance for fillers and overruns.

* LIGHT TYPE MANHOLE COVER & RING

* Rings with four equally spaced lugs will be permitted.



BENDING DIAGRAMS



Note: Reinforcing steel for L bars is not included in the steel quantity and is subsidiary to the other inlet items.

* At the contractor's option, gutter may be constructed continuous, L bars omitted, and a 1/2" Expansion Joint installed between gutter and face of inlet and between curb and side of inlet with a tar paper joint between bottom of gutter and top of wall. In this method of construction, the inlet shall be completely free of the gutter and curb.

Note: Use Class A Concrete throughout. All exposed edges shall be finished with an edging tool. At the contractor's option Class A Concrete (AE) or mix used in concrete pavement may be used throughout. In general, pipes will enter and leave manhole at various positions. Where possible bond bars around pipes. Floor of manhole to be shaped as shown in various EXAMPLES with unreinforced Class "A" Concrete. Manhole opening and steps, where used, shall be placed to afford easy access to top of shaped invert. Top reinforcing bars to be adjusted accordingly. All castings shall be gray iron and shall comply with the KDOT Standard Specifications. No deductions in concrete quantities shall be made for pipe openings or additions to concrete quantities shall be made for shaping floor of manholes. When so ordered by the Engineer, the top of the manhole shall be sloped slightly to approximately fit the ground line or other conditions. Dimensions and weights of cast iron as shown on this sheet are minimum. Larger dimensions and/or heavier weights of cast iron may be used. Steps shall be installed in all storm sewer inlets when specified in the plans or when "H" is equal to or greater than six feet. Steps shall comply with the KDOT Standard Specification.

Note: Transition gutter from normal depth of 5" to 9" at inlet in 2'-6". Curb and gutter sections shall be shaped as shown where required by the installation of curb inlets. This work will be subsidiary to other bid items.

Source File:
 Drawn: J. Road
 Date: 11/18/11
 Checked: 11/18/11
 Plotted: 11/18/11

7	2-21-11	Issue date data	345	100
1	1-30-12	Rev. submitted notes on 2012	345	100
NO.	DATE	REVISIONS	BY	APP.
KANSAS DEPARTMENT OF TRANSPORTATION				
TYPE 22 CURB INLET				
STD. NO. 646				