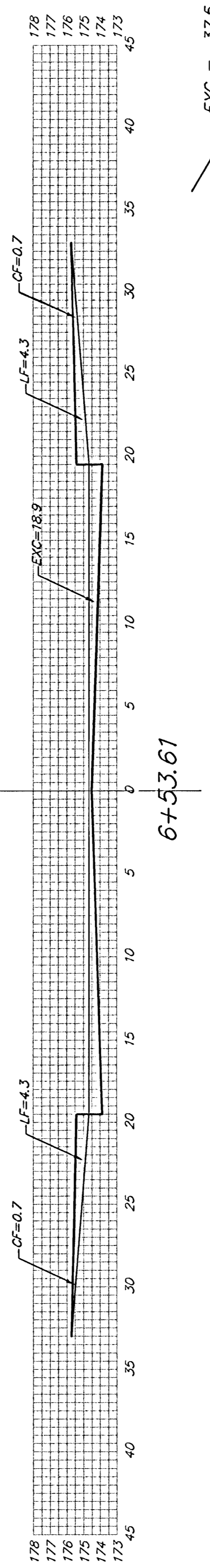
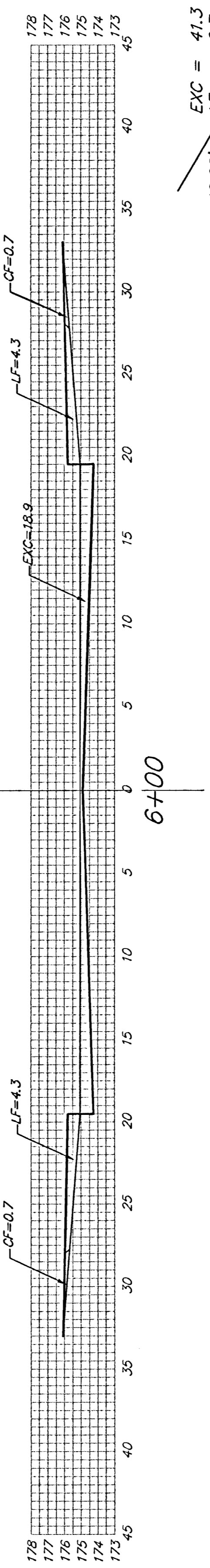


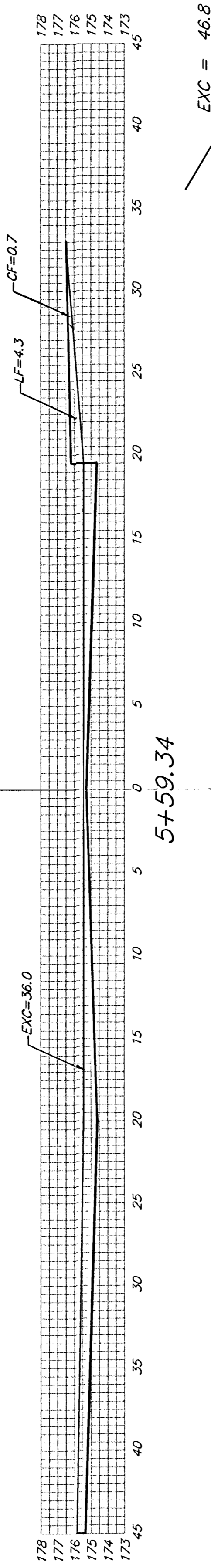
HIGHLAND SPRINGS CT. (Lots: 1-7)



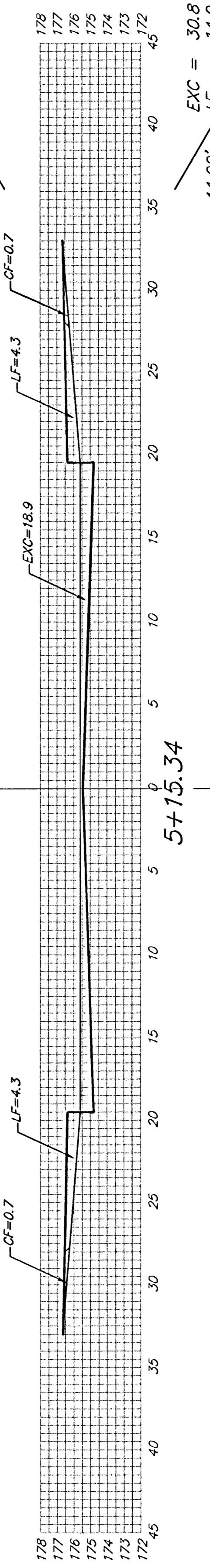
EXC = 37.5
LF = 17.7
CF = 2.8



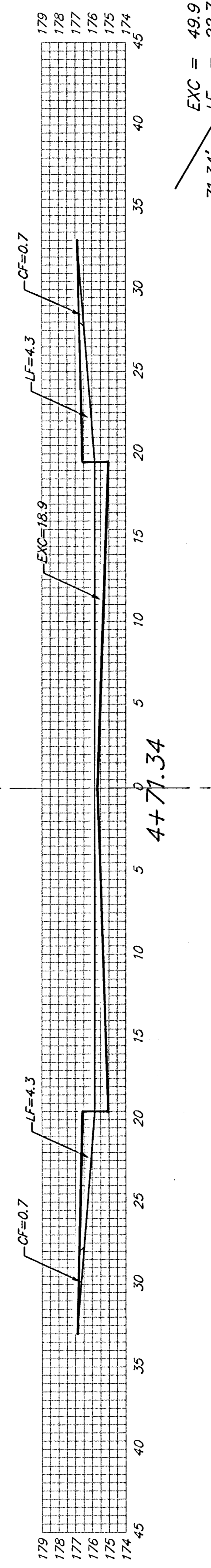
EXC = 41.3
LF = 9.7
CF = 1.6



EXC = 46.8
LF = 11.0
CF = 1.8



EXC = 30.8
LF = 14.0
CF = 2.3



EXC = 49.9
LF = 22.7
CF = 3.7

HIGHLAND SPRINGS

Sheet Totals:
Excavation = 265.5 C.Y.
Loose Fill = 115.1 C.Y.
Compacted Fill = 12.1 C.Y.

BAUGHMAN COMPANY P.A.
ENGINEERING, SURVEYING, & PLANNING
316-262-7271 • 315 ELLIS • WICHITA, KANSAS 67211

PROJECT NUMBER
472-83143

REV.
SHEET
20
OF
32