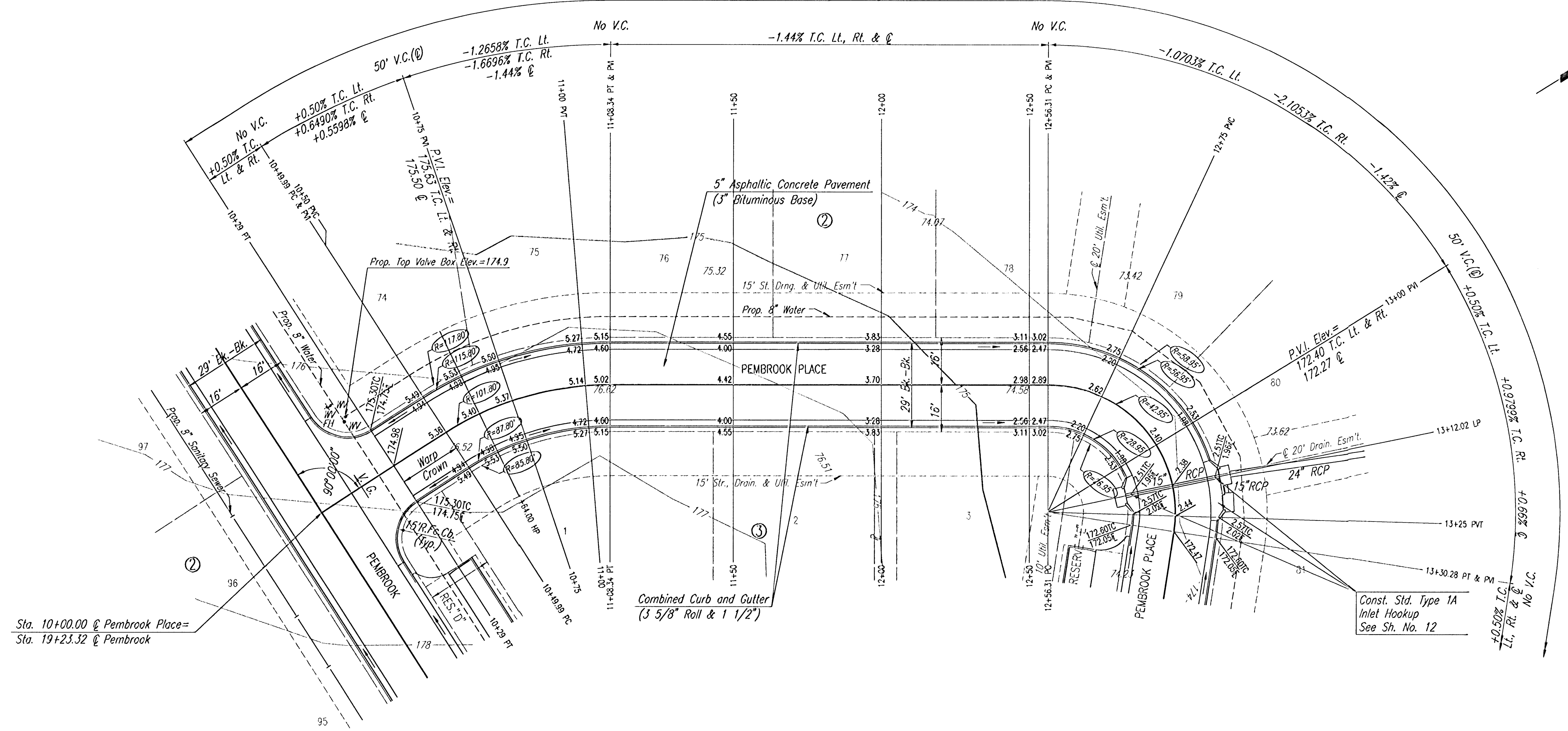
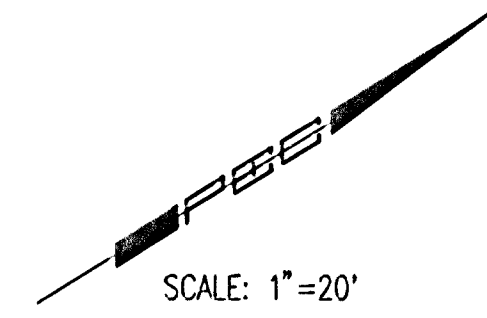


WATER VALVE BOX ELEVATIONS			
STREET	STATION	OFFSET	PROPOSED ELEVATION
EDGEWOOD DRIVE	10+24.30	23.0'LL	174.9

PROJECT NO.	SHEET NO.	TOTAL SHEETS
472-83382	4	33

See Four Corner Grading Plan



Sta. 10+00.00 @ Pembroke Place=
Sta. 19+23.32 @ Pembroke

NOTE: THIS STREET TO BE CONSTRUCTED WITH ROLL-TYPE CURB. TOP OF CURB ELEVATIONS GIVEN ARE FOR FULL HEIGHT CURB.

CURVE DATA						
$\Delta=32^{\circ}50'24''$		$D=56^{\circ}16'58''$		$R=101.80'$	$L=58.35'$	$T=30.00'$
$E=4.33'$						
CURVE DATA BASED ON \odot RADIUS $\Delta/2=16^{\circ}25'12''$						
\odot STATION	\odot ARC LENGTH	FACE CURB LEFT CURB	FACE CURB RIGHT CURB	CHORD LENGTH 8'OFF LEFT FACE CURB	CHORD LENGTH 8'OFF RIGHT FACE CURB	\odot TOTAL DEFLECTION
10+49.99						$0^{\circ}00'00''$
10+64	14.01'	15.94'	12.08'	17.02'	10.97'	$3^{\circ}56'33''$
10+75	10.00'	12.51'	9.49'	13.37'	8.62'	$3^{\circ}05'44''$
11+00	25.00'	28.44'	21.56'	30.33'	19.55'	$2^{\circ}20'49''$
11+08.34	8.34'	9.48'	7.19'	10.15'	6.54'	$2^{\circ}20'49''$
TOTAL	58.35'	66.37'	50.32'			$16^{\circ}25'12''$

CURVE DATA						
$\Delta=98^{\circ}40'20''$		$D=133^{\circ}24'04''$		$R=42.95'$	$L=73.97'$	$T=50.00'$
$E=22.96'$						
CURVE DATA BASED ON \odot RADIUS $\Delta/2=49^{\circ}20'10''$						
\odot STATION	\odot ARC LENGTH	FACE CURB LEFT CURB	FACE CURB RIGHT CURB	CHORD LENGTH 8'OFF LEFT FACE CURB	CHORD LENGTH 8'OFF RIGHT FACE CURB	\odot TOTAL DEFLECTION
12+56.31						$0^{\circ}00'00''$
12+75	18.69'	24.78'	12.60'	28.04'	9.04'	$12^{\circ}27'57''$
13+00	25.00'	33.15'	16.85'	37.27'	12.02'	$16^{\circ}40'28''$
13+12.02	12.02'	15.94'	8.10'	18.12'	5.84'	$8^{\circ}01'01''$
13+25	12.98'	17.21'	8.75'	19.55'	6.31'	$8^{\circ}39'26''$
13+30.28	5.28'	7.00'	3.56'	7.98'	2.57'	$3^{\circ}31'18''$
TOTAL	73.97'	98.08'	49.86'			$49^{\circ}20'10''$

DSNR: GDD OPER: DEP SCALE: 1"=20.00
 C:\2001\01256\000\STR10-13 08-29-2001 02:47:39 pm

THE COURTS II

PEMBROOK PLACE

STA. 10+00.00 TO STA. 13+30.28

Professional Engineering Consultants, P.A.
 303 S. TOPEKA • WICHITA, KANSAS 67202
 316-262-2691 • FAX 316-262-3003

Designed by	BER	Checked by	
Drawn by	DEP	Date	JULY, 2001
		Job No.	01256