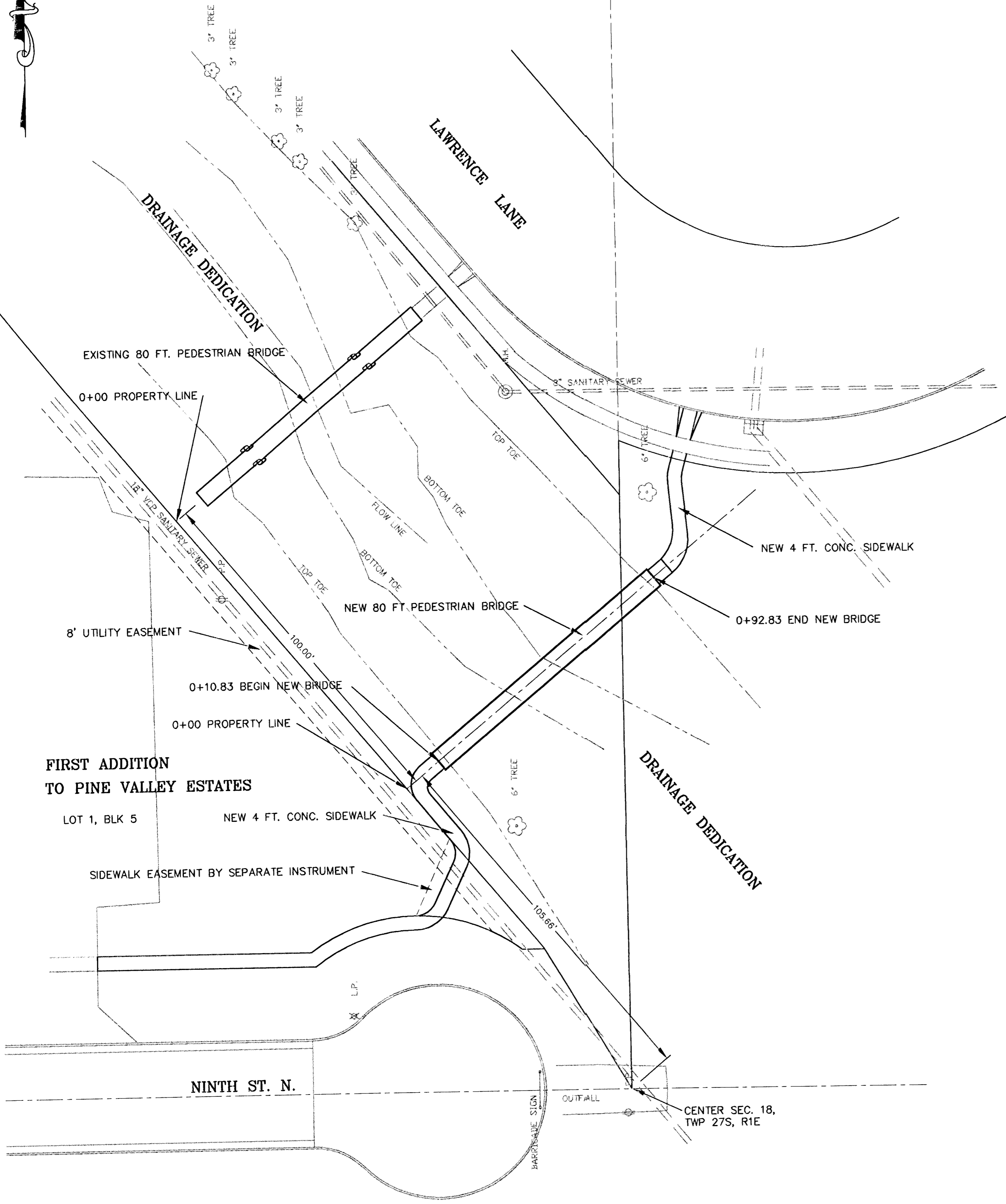
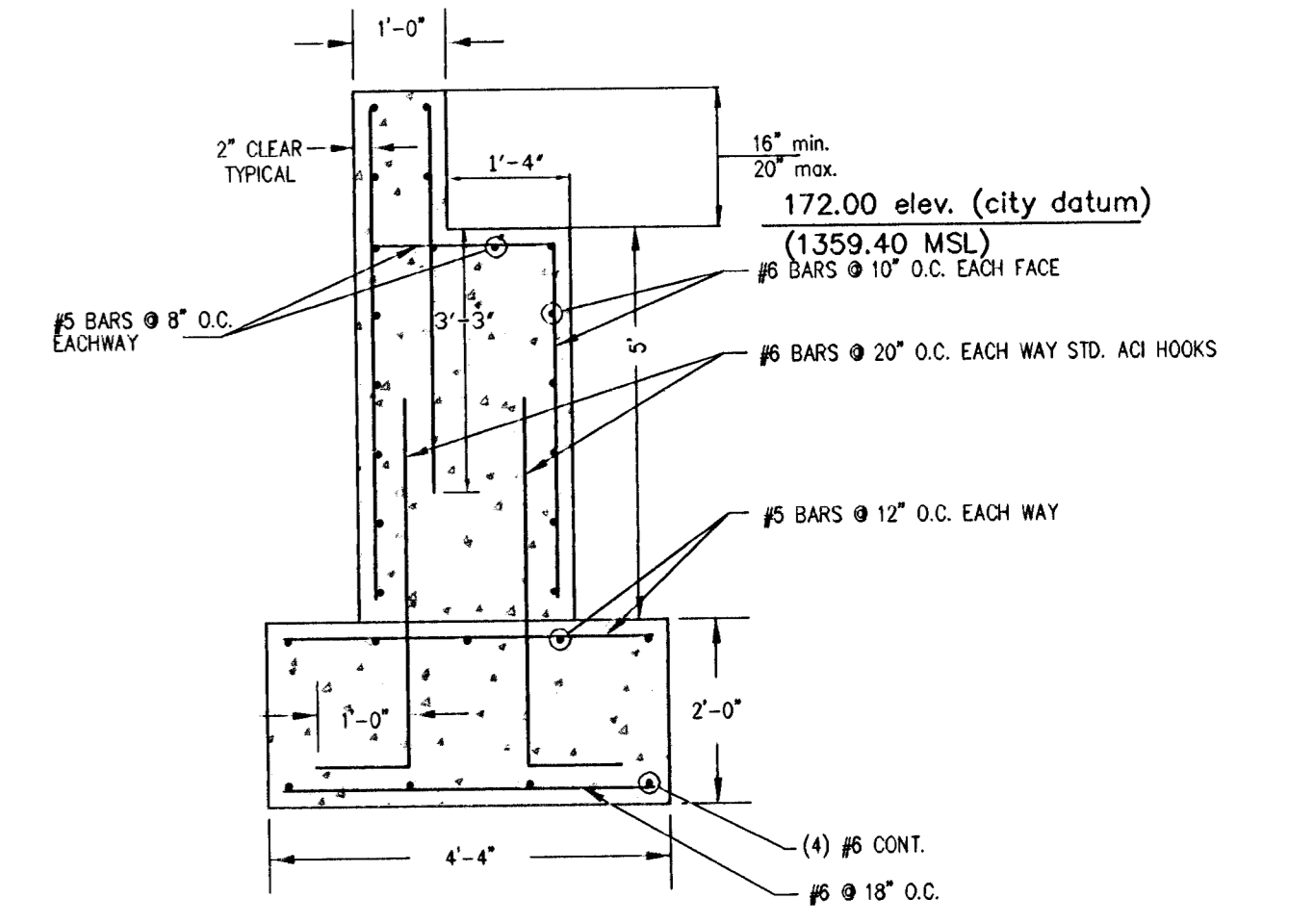
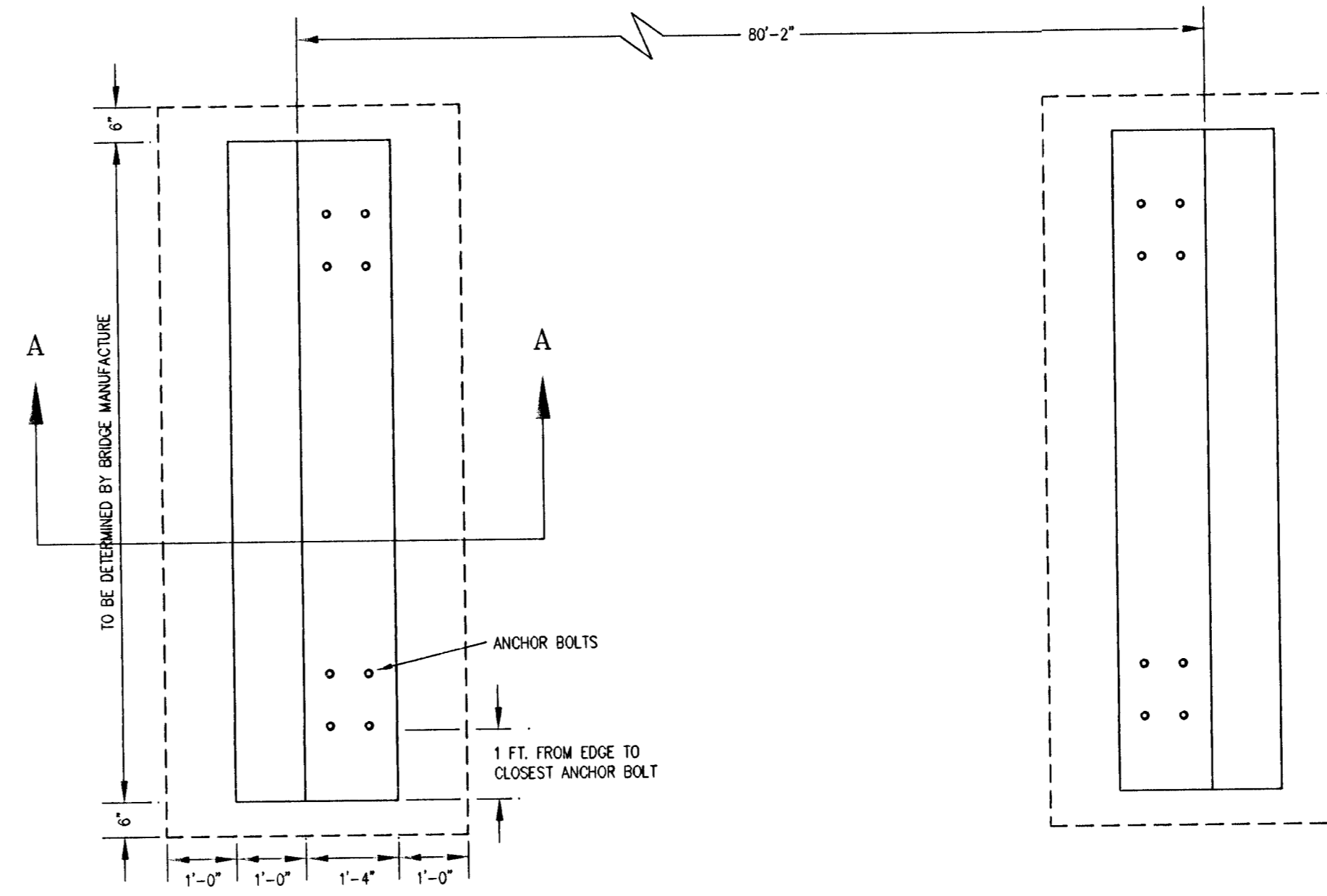


SCALE PLAN 1" = 20'  
 PROFILE 1" = 20' HORIZ.  
 1" = 5' VERT.

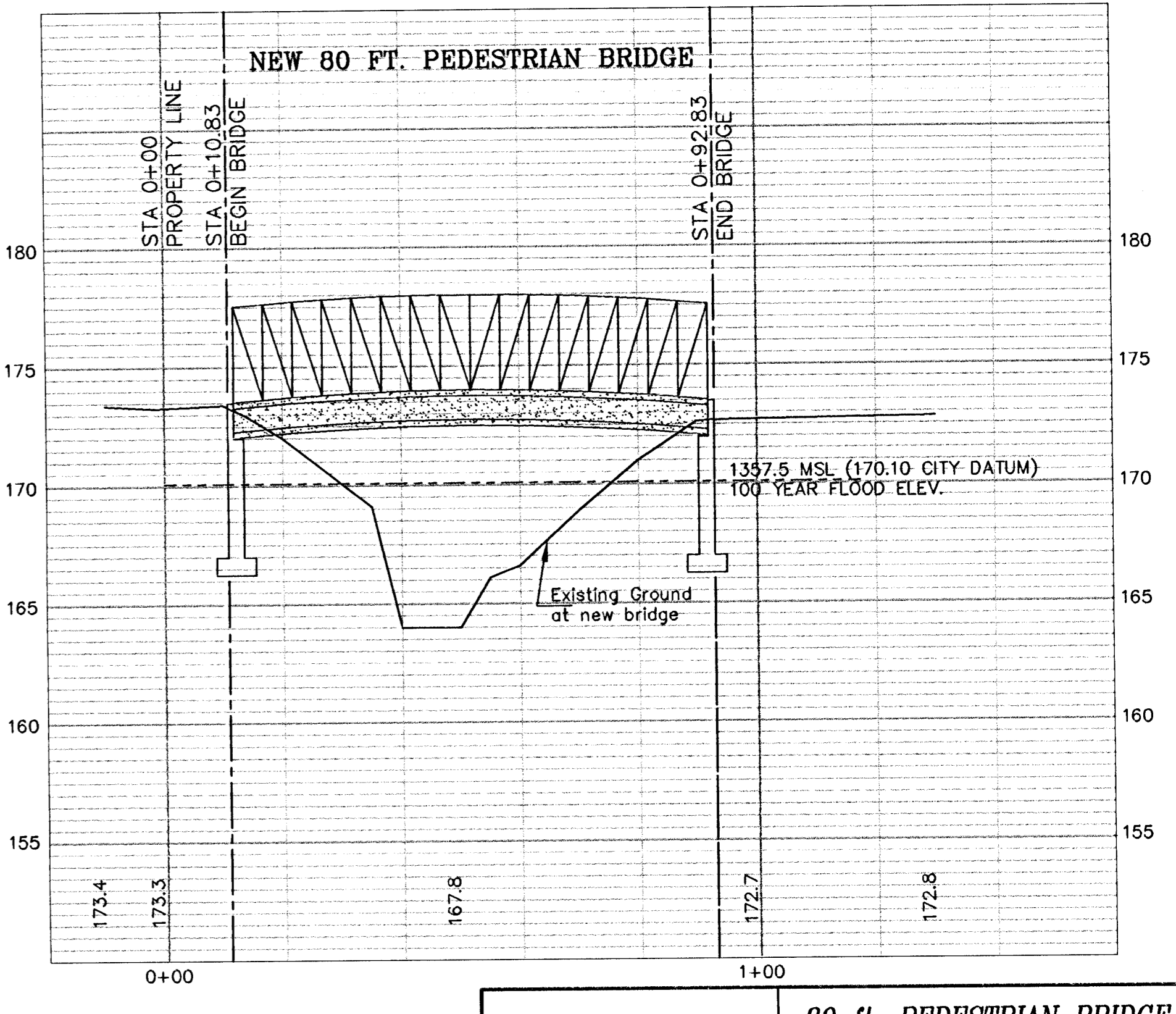
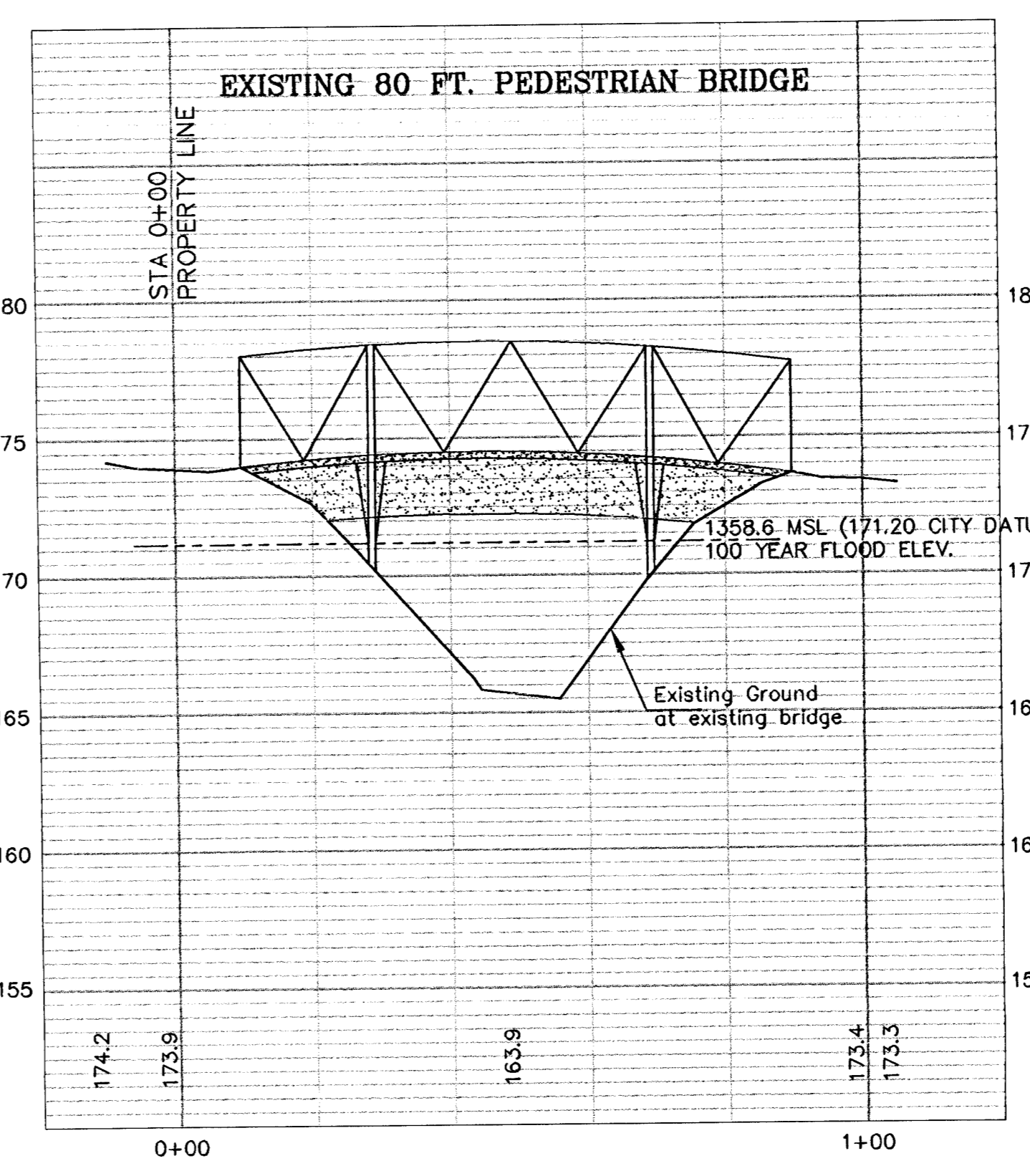
BM. CITY STD. DISC AT ARMOUR AND 9TH ST. N.  
 24.0 FT. EAST AND 34.0 FT. SOUTH CENTER  
 LINES OF BOTH  
 ELEV. = 176.49



CONCRETE ABUTMENT PLAN



SECTION A-A



		<b>80 ft. PEDESTRIAN BRIDGE AT NINTH ST. N. AND LAWRENCE LANE</b>	
		M. E. LINDEBAK P.E. - CITY ENGINEER	
ENGINEER:	S. BREITENBACH	DRAWN BY:	R. LOOMIS
PROJECT NUMBER:	472-83345	O.C.A. NO.:	131532
DATE:	APRIL 2001	SHEET 2 OF 2	

CITY ENGINEER'S OFFICE  
 CITY HALL - SEVENTH FLOOR  
 455 NORTH MAIN STREET  
 WICHITA, KANSAS 67202  
 (316) 268-4501  
 (316) 268-4114 FAX