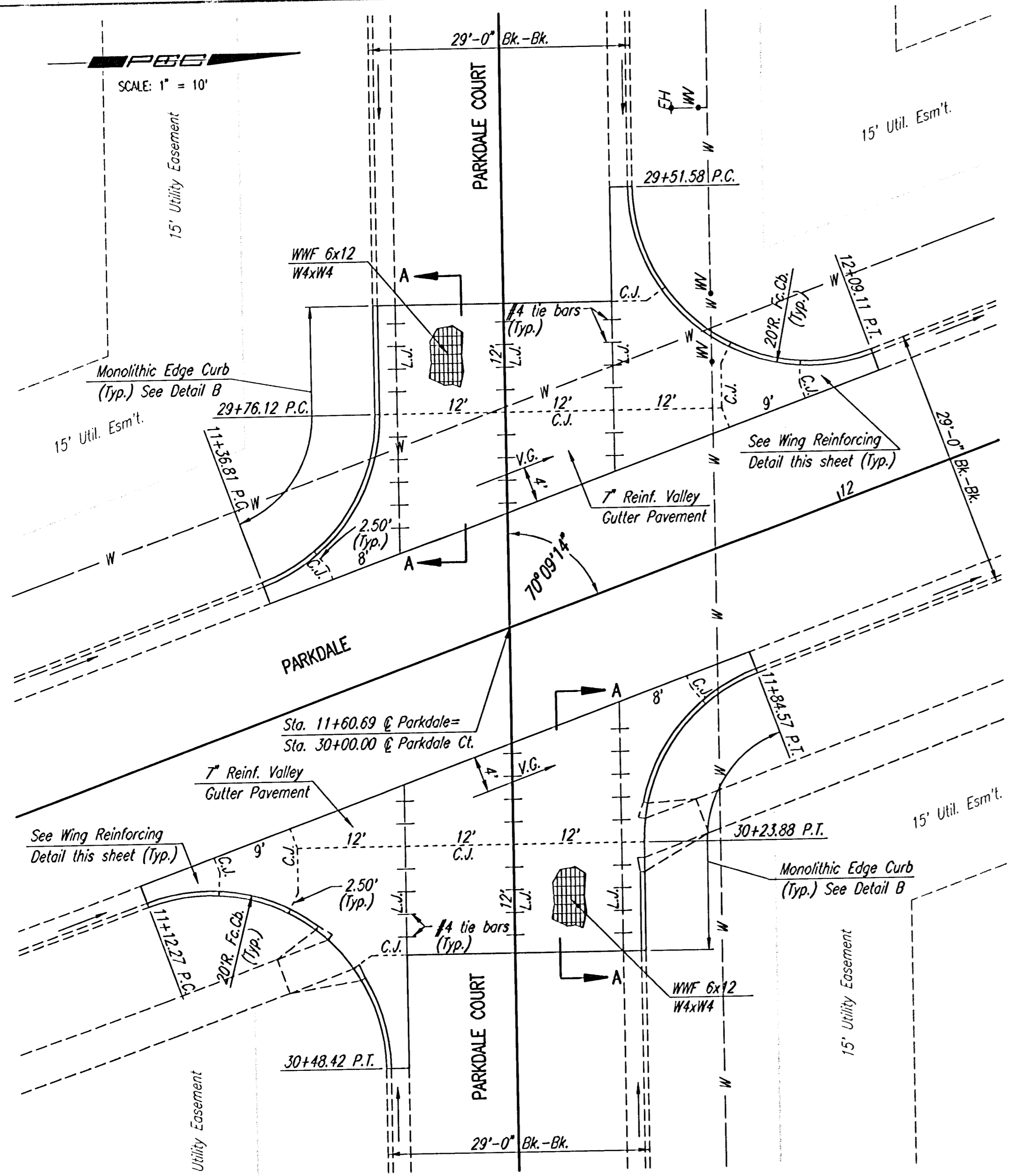
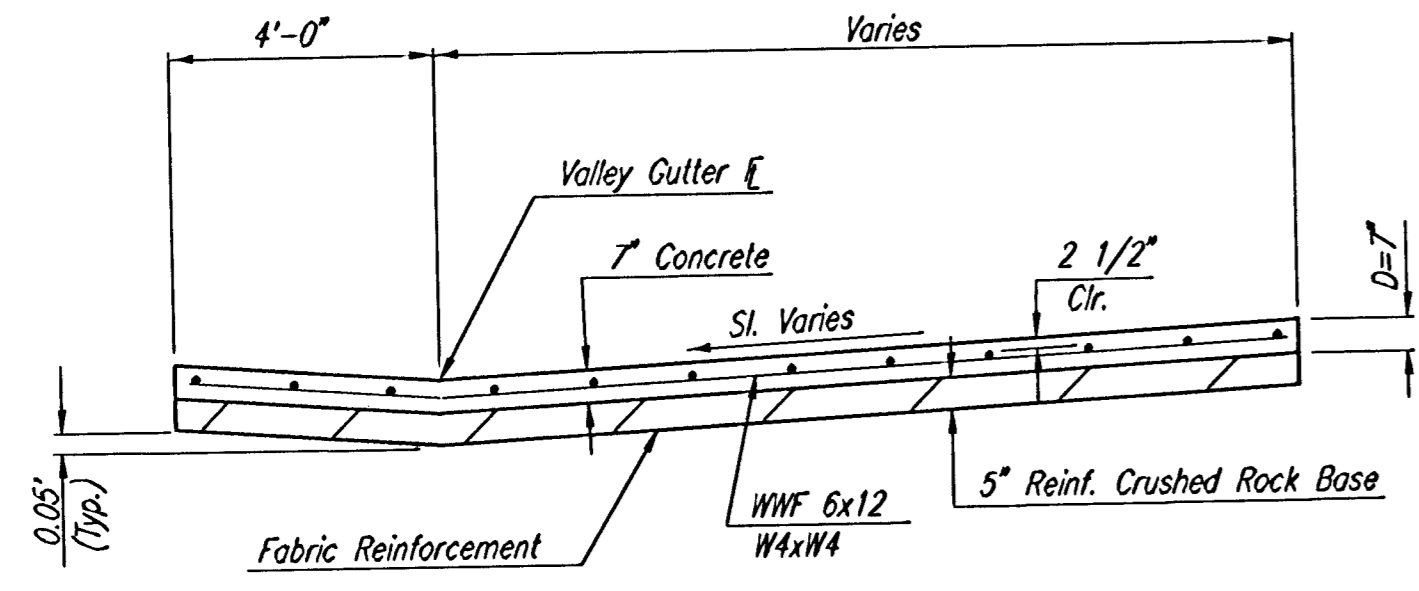


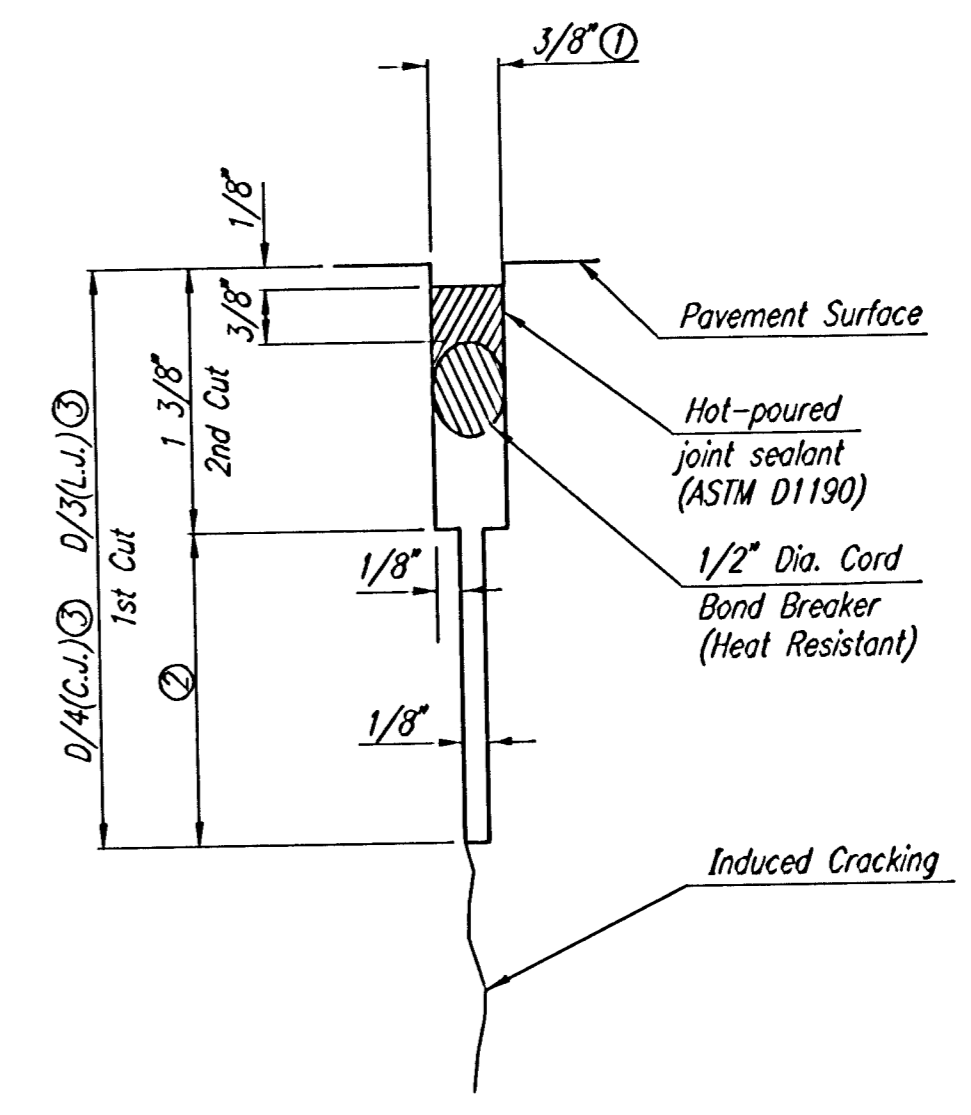
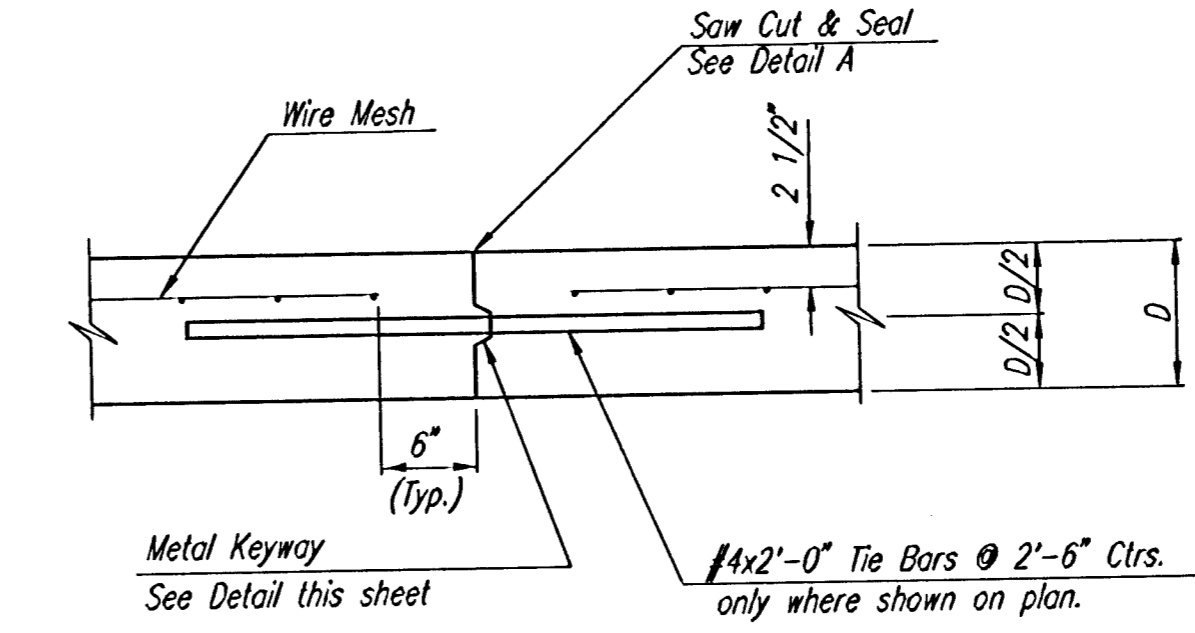
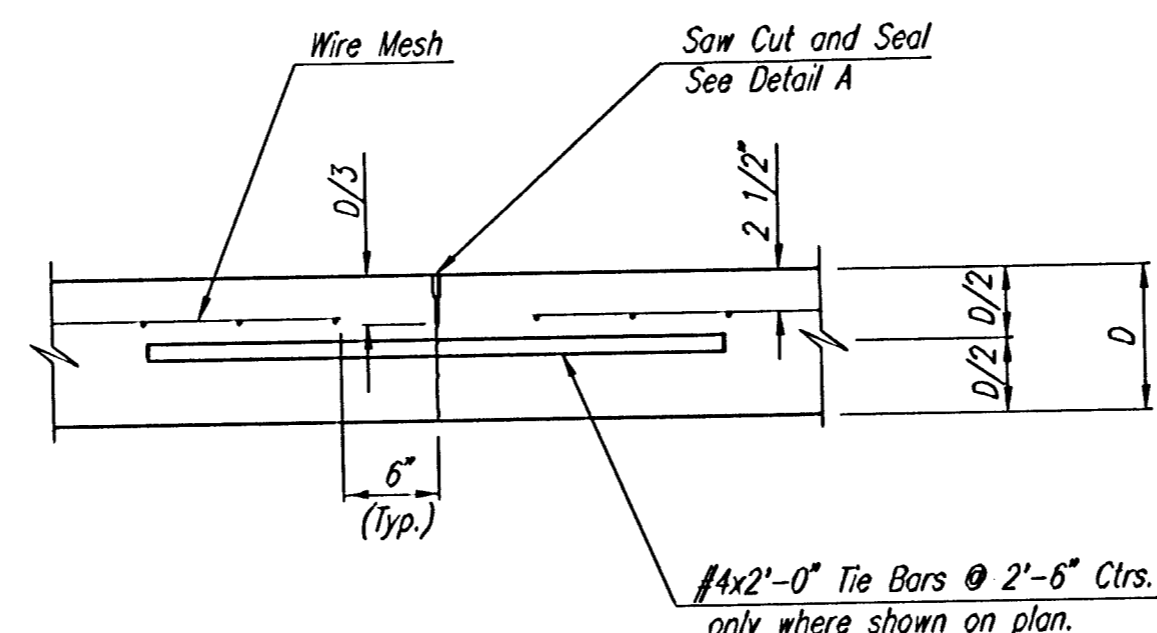
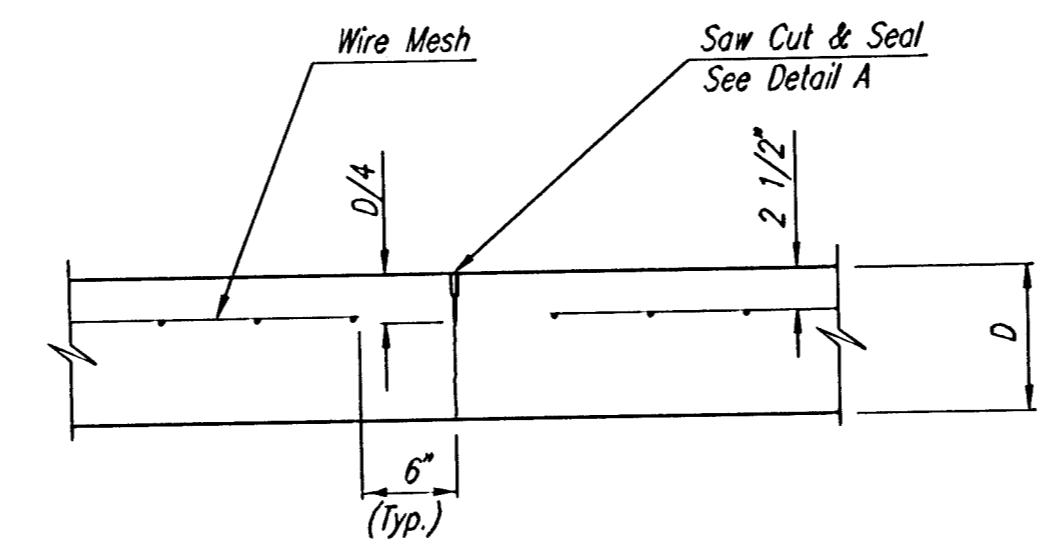
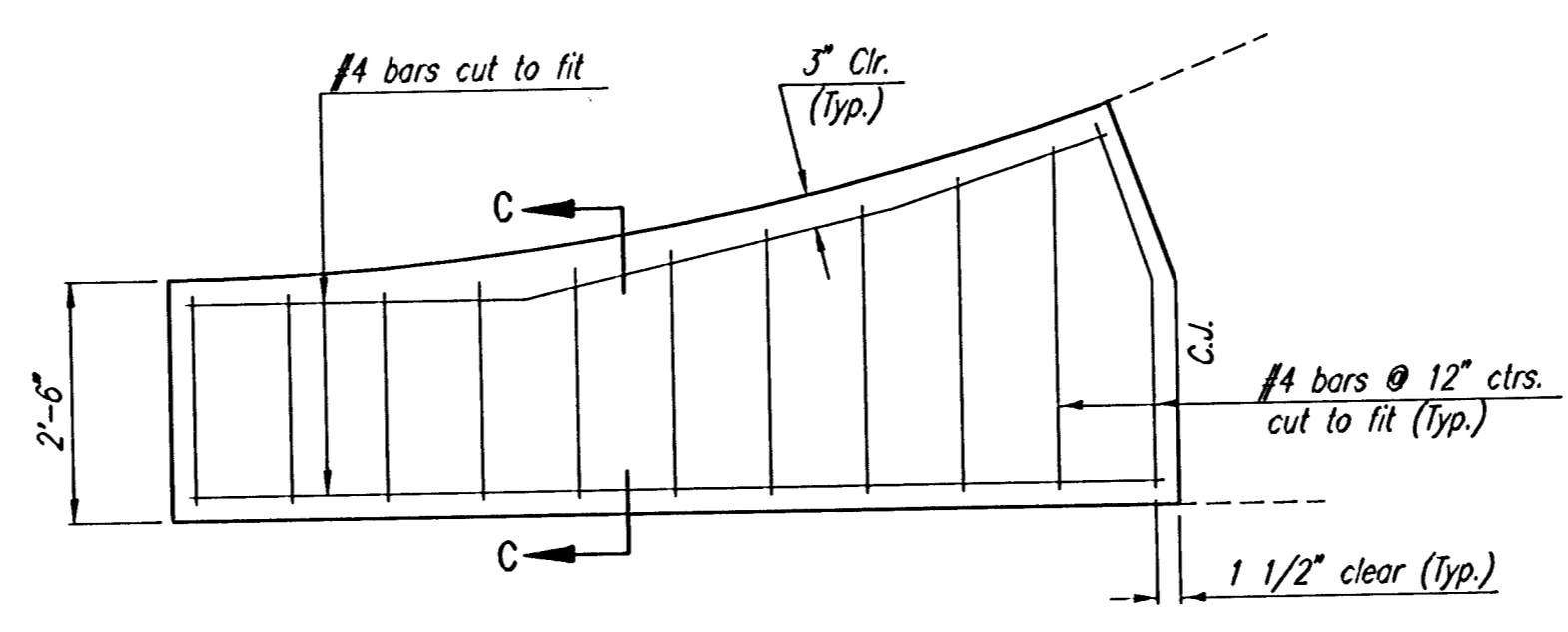
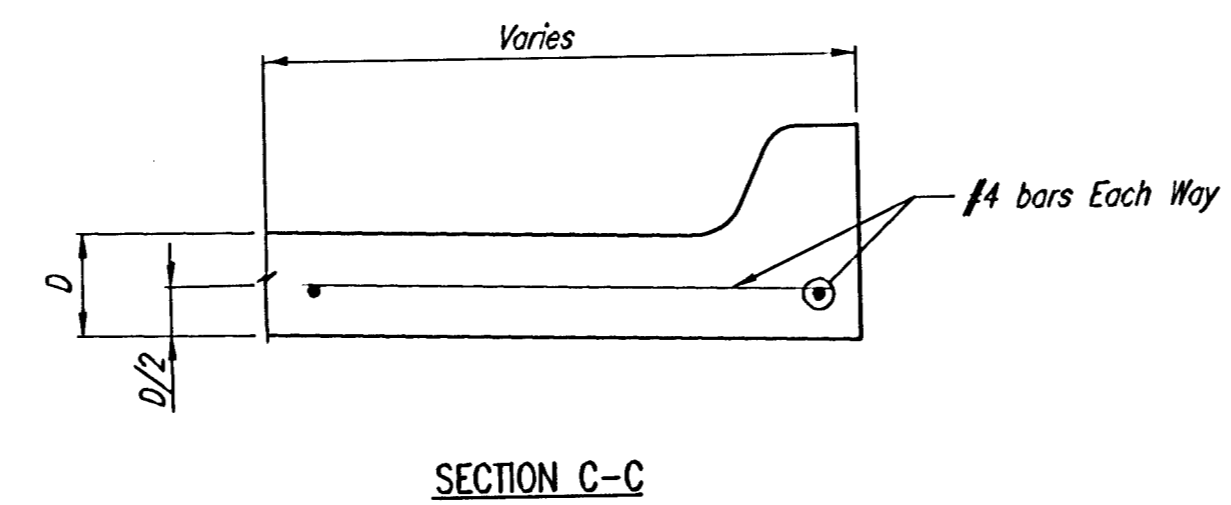
DSNR: BMM OPER: BJS SCALE: 1"=10.00
 C:\2005\05415\1000\05415-000-C-VALGUT.DWG 11-28-2005 09:56:26 am



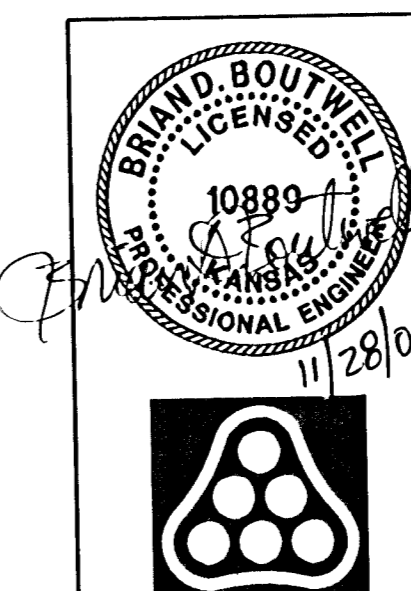
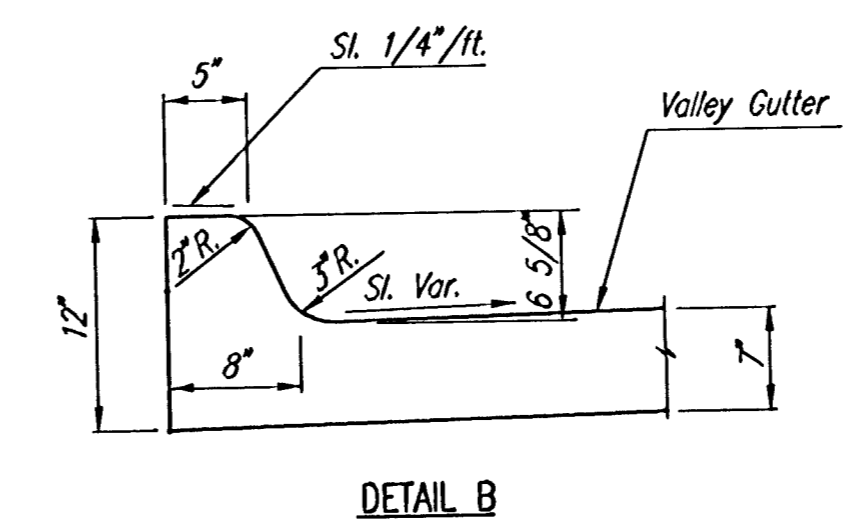
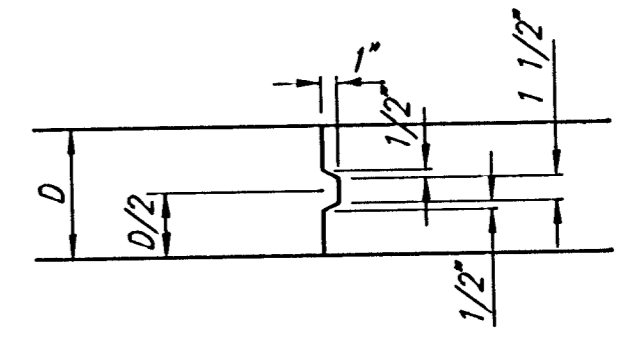
6"x12" W4xW4 WIRE FABRIC REINFORCING SHALL BE PLACED SUCH THAT THE WIRES WITH THE 6" SPACING WILL RUN PARALLEL WITH THE LONGITUDINAL JOINT.



NOTE: OMIT REINFORCING MESH AT ALL JOINTS
 NOTE: ALL CONCRETE VALLEY GUTTER REINFORCEMENT SHALL BE ADEQUATELY SUPPORTED BY BAR CHAIRS IN THE REQUIRED POSITION UNLESS APPROVED OTHERWISE BY THE ENGINEER.



- ① To be accomplished in 2 cuts for Longitudinal Joints and Contraction Joints. Initial cut to be 1/8" wide.
- ② Eliminate bottom of cut when metal keyway is used as part of Longitudinal or Transverse Construction Joint and at Doweled Construction Joint Locations.
- ③ 1 1/2" Minimum



No.	Revision	By	Date
	EVERGREEN 5TH		
VALLEY GUTTER DETAILS			
JAMES L. ARMOUR, P.E.-CITY ENGINEER CITY OF WICHITA PROJECT NO. 472-84103 Professional Engineering Consultants, P.A. 303 S. TOPEKA • WICHITA, KANSAS 67202 316-262-2691 • FAX 316-262-3003			
Designed by	BDB, BMM	Job No.	35-05415-000
Drawn by	BJS, BMM	Date	July 2005
			Sheet 13 of 45