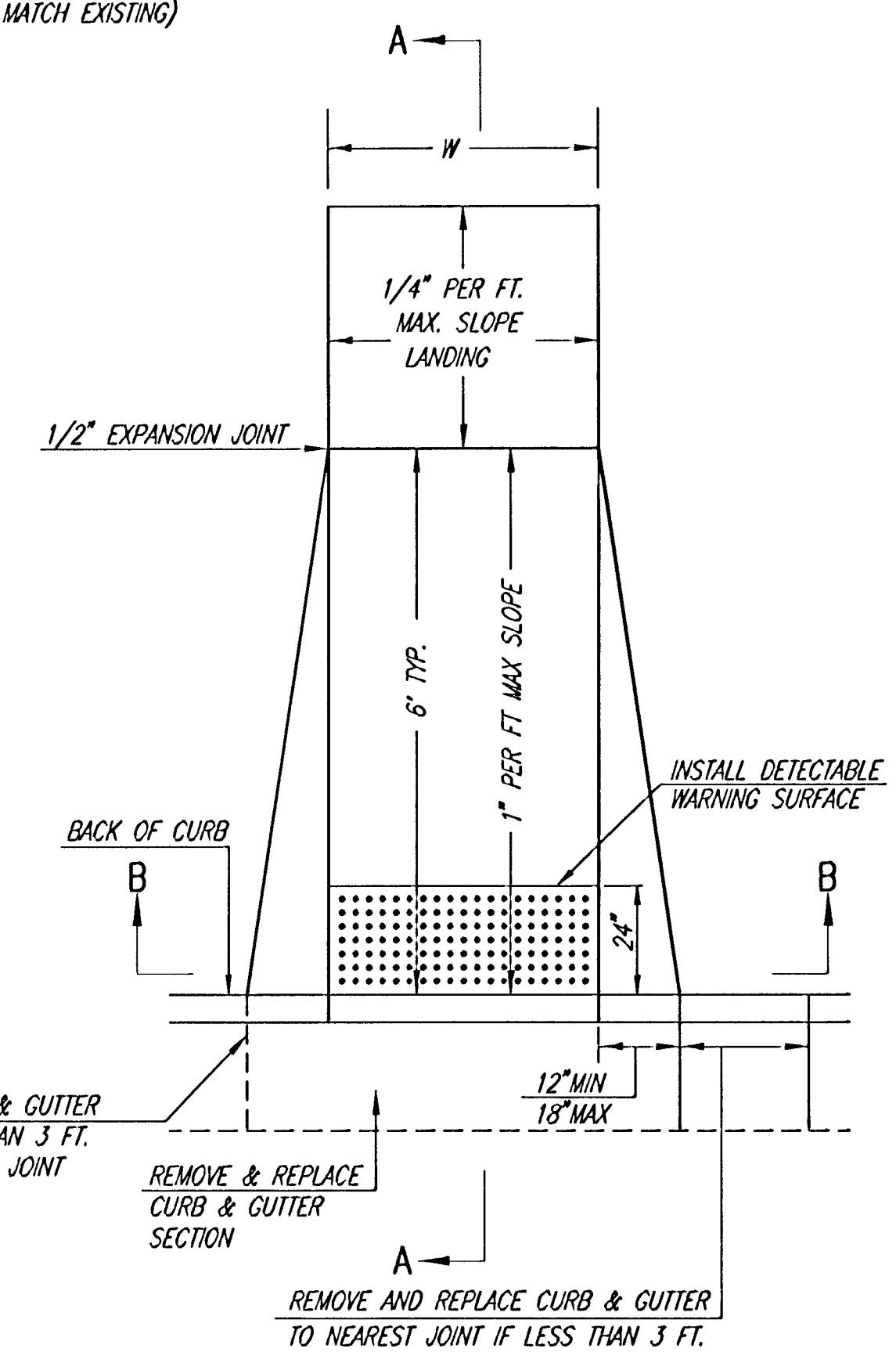
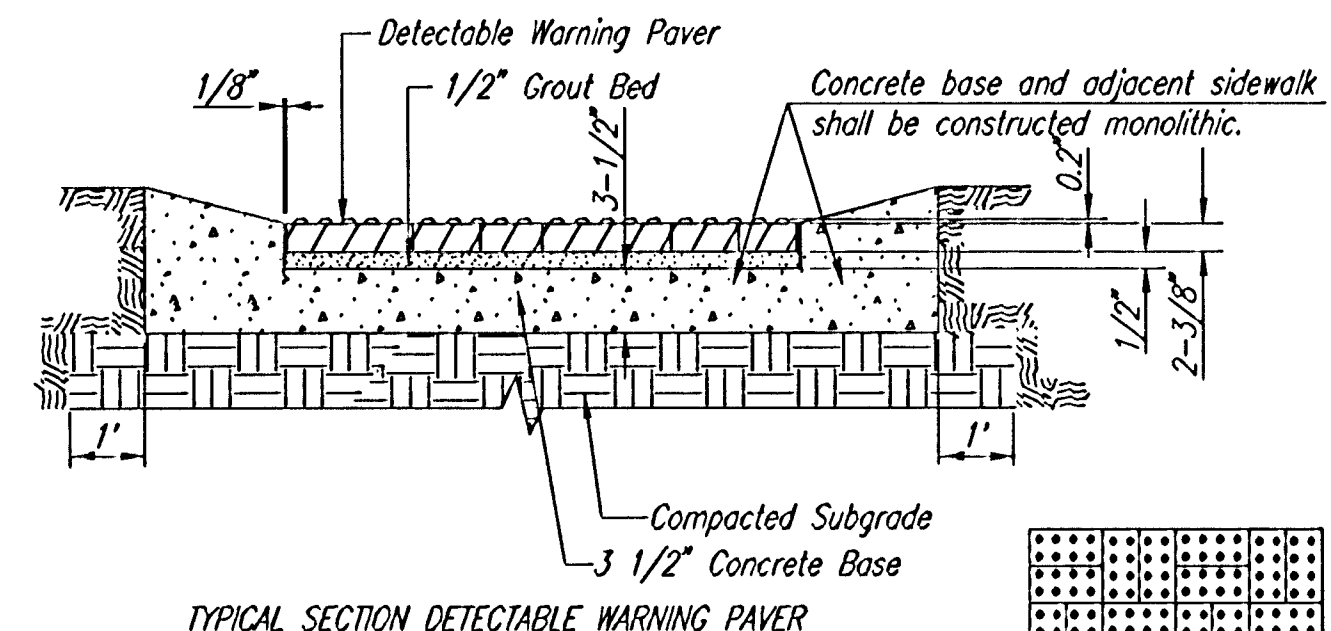


DSNR: BMM OPER: BJS SCALE: 1"=10.00
 Q: 2005.054151000.05415-000-C-MISC PAVING DTL'S 11-28-2005 09:59:10 am

W= 4'0" FOR STANDARD RAMP
 W= 5'0" FOR RAMPS AT SCHOOL CROSSWALKS
 (OR TO MATCH EXISTING)

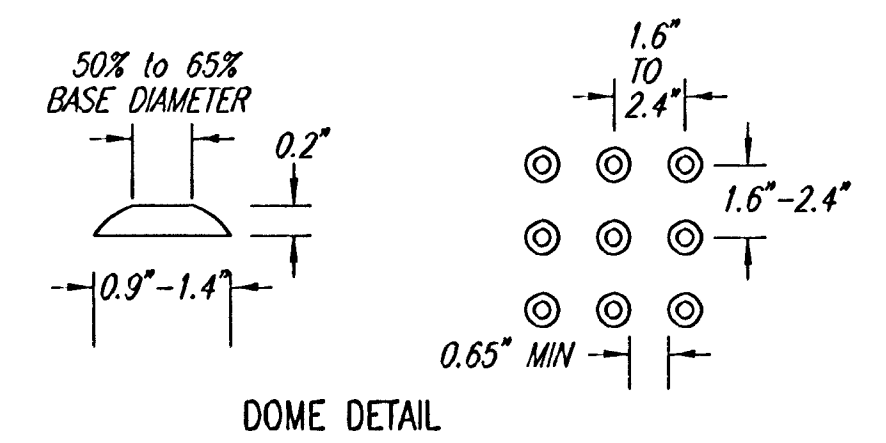


(TYPE A)
STANDARD WHEELCHAIR RAMP
WITH DETECTABLE WARNING
CONSTRUCTION DETAIL FOR STREETS
WITH COMBINED CURB & GUTTER

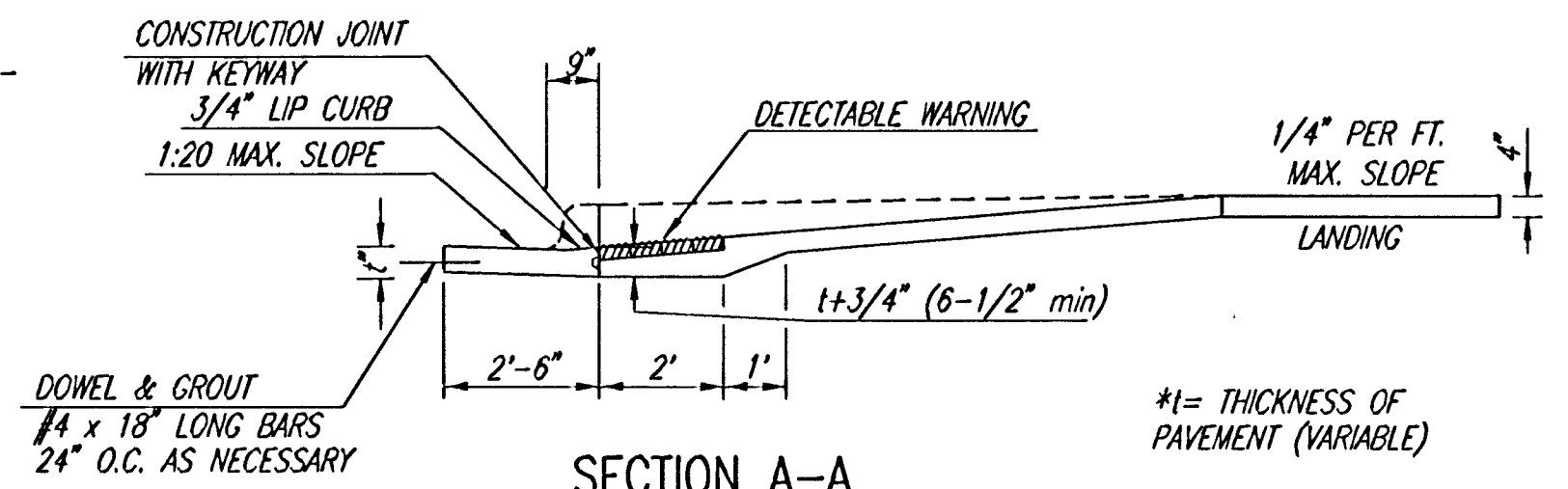


TYPICAL SECTION DETECTABLE WARNING PAVER
 NOTE: RAMPS TO COMPLY WITH LATEST ADAAG GUIDELINES. PAVESTONE DETECTABLE WARNING PAVERS (OR AN APPROVED EQUAL) SHALL BE USED IN ALL WHEELCHAIR RAMPS. THE RED PAVER SHALL BE INSTALLED USING A BASKET WEAVE/PARQUET PATTERN. OTHER PATTERNS MAY BE USED WITH APPROVAL OF ENGINEER. SAND FILL JOINTS. ALIGN DOMES IN THE DIRECTION OF PEDESTRIAN TRAVEL.

SECTION B-B

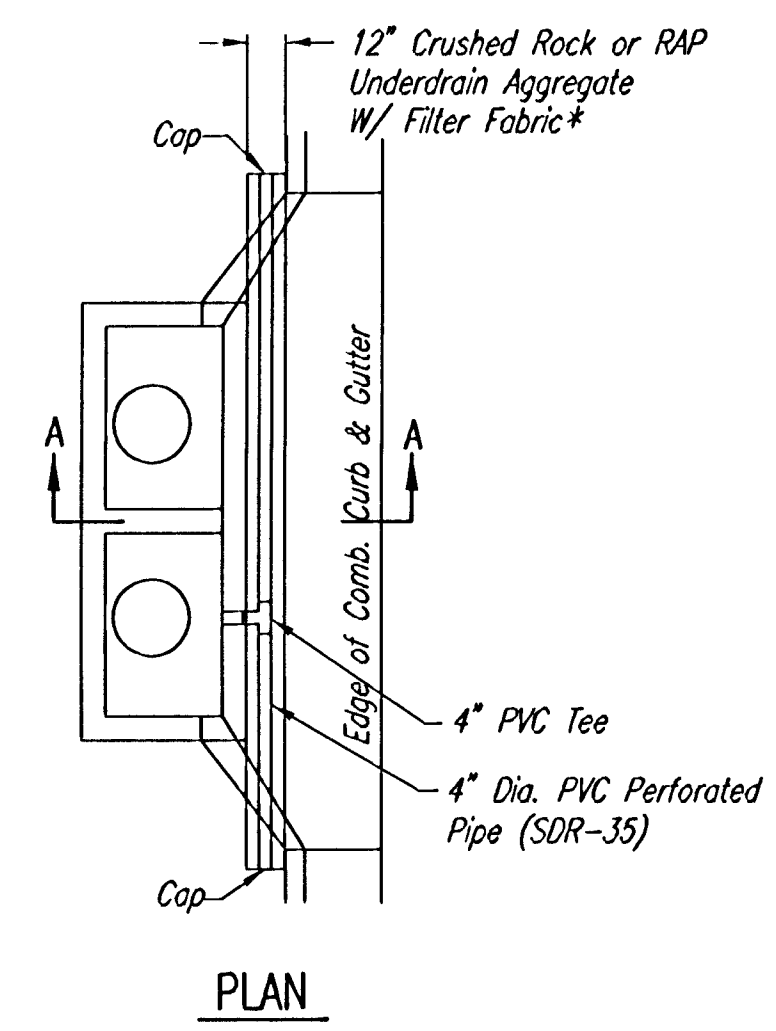


DOMES DETAIL



TYPICAL WHEELCHAIR RAMP DETAILS

AUGUST 4, 2003



PLAN

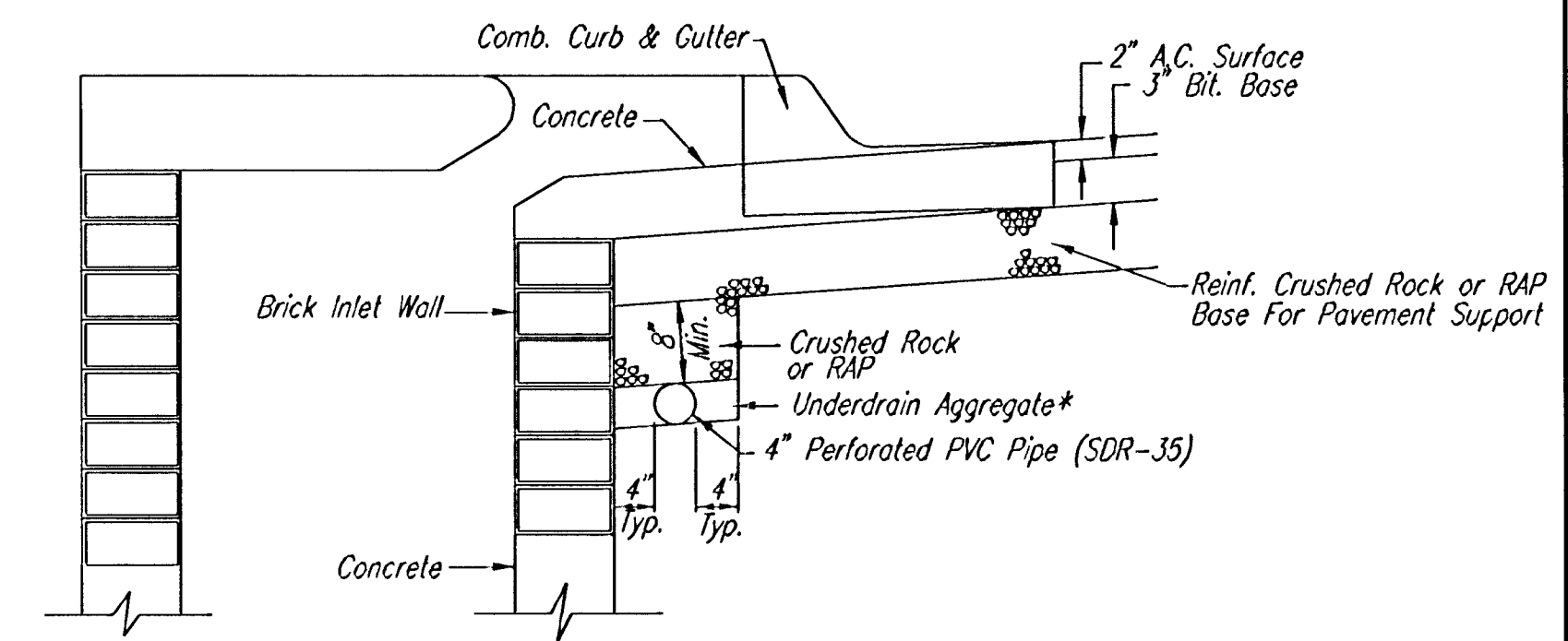
* UNDERDRAIN AGGREGATE PERCENT OF AGGREGATE RETAINED

1"	0
3/4"	0-10
3/8"	45-80
#4	90-100
#8	95-100

ROCK QUALITY SHALL CONFORM TO THE REQUIREMENTS SPECIFIED BY THE KDOT 1990 EDITION STANDARD SPECIFICATION SUBSECTION 1102 FOR DURABILITY CLASS I.

PAVEMENT UNDERDRAIN LOCATIONS

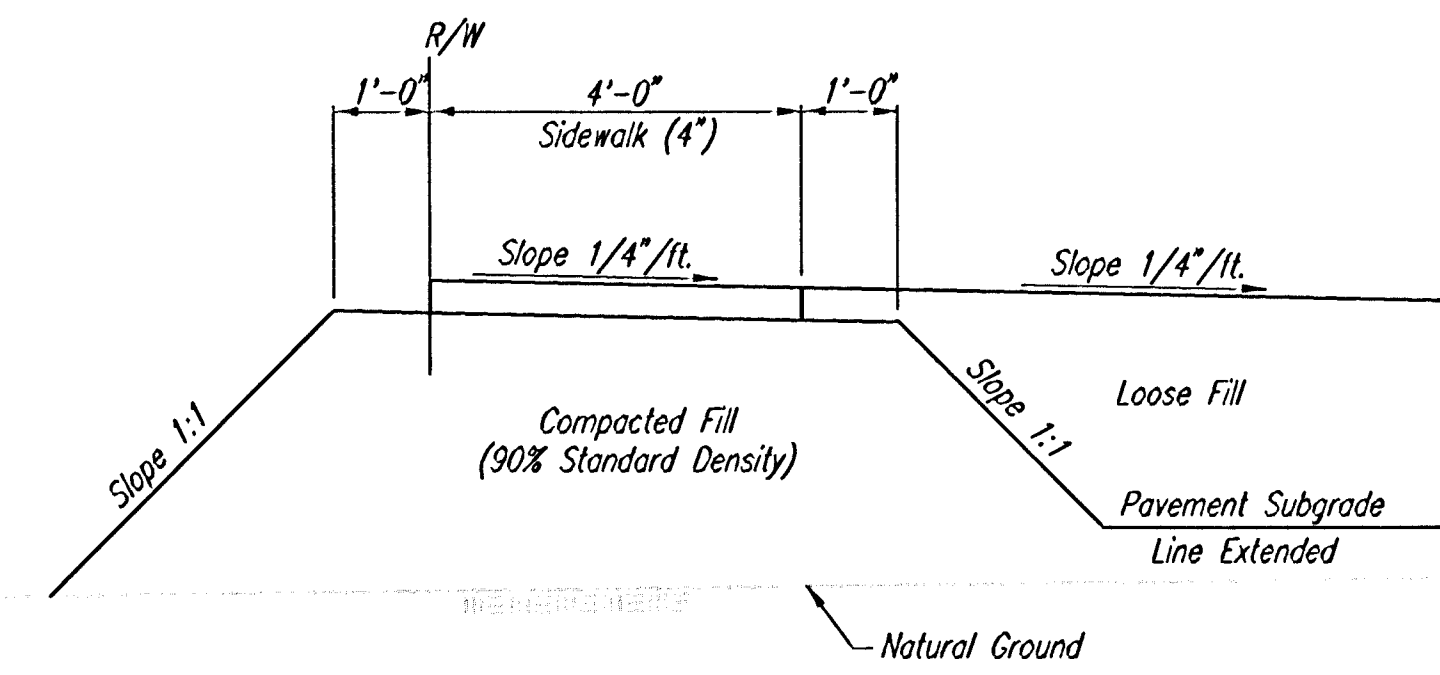
STREET	STATION	SIDE
PARKDALE	13+25.00	RT.
PARKDALE	13+31.35 (LT.)	LT.
PARKDALE COURT	42+28.22	LT. & RT.



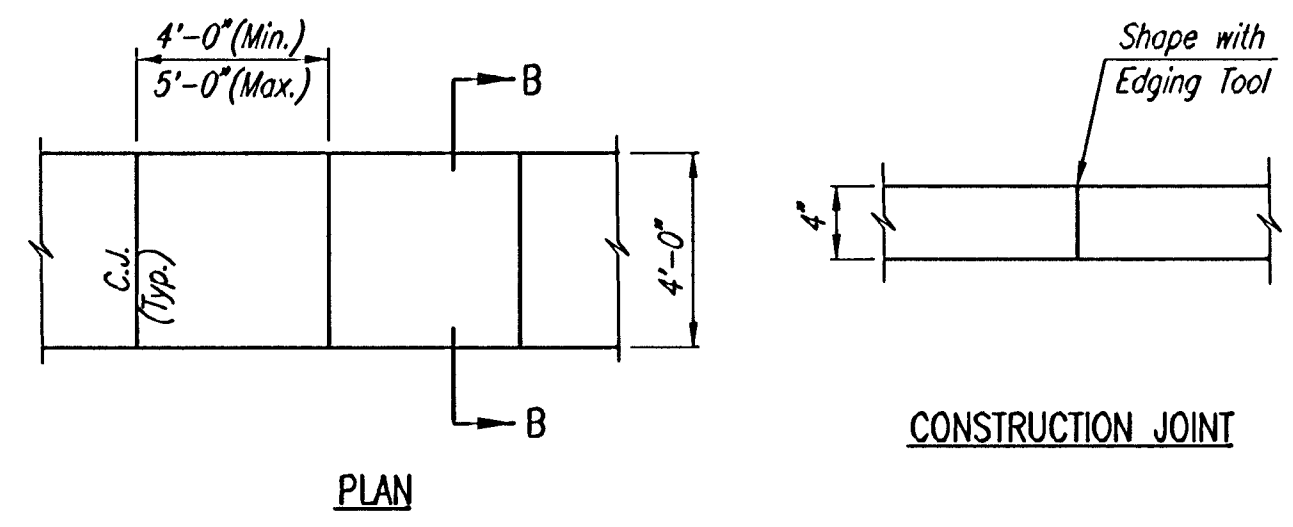
Min. 16 Perforations Per Lin. Ft. @ 1/4" Dia.
 Perforations To Be on Bottom Half

SECTION A-A
PAVEMENT UNDERDRAIN DETAIL

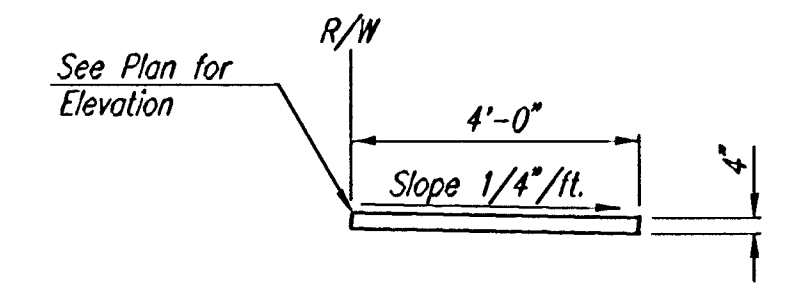
NOTE: PLACE 4" PVC PERFORATED PIPE AT ALL DRAINAGE SUMP LOCATIONS.
 COST OF UNDERDRAIN SYSTEM TO BE INCIDENTAL TO THE REINFORCED CRUSHED ROCK OR REINFORCED RECYCLED ASPHALT PAVEMENT (RAP) BASE.
 INLET TYPE MAY VARY FROM THAT SHOWN.



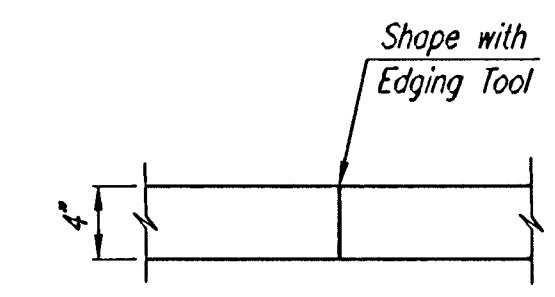
COMPACTED FILL DETAIL
WHERE SIDEWALK IS CONSTRUCTED
 (See Plan Sheets for Locations)



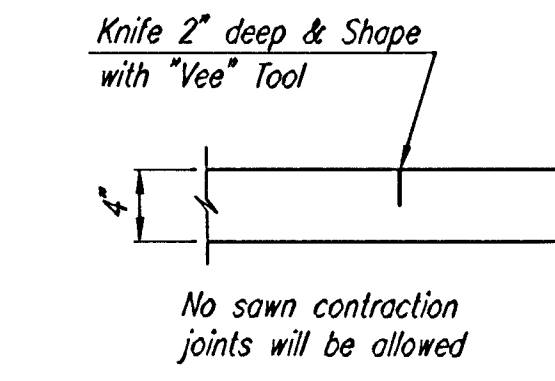
PLAN



SECTION B-B

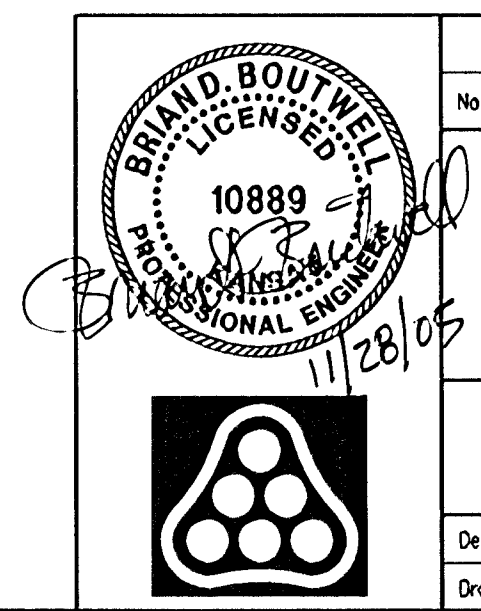


CONSTRUCTION JOINT



CONTRACTION JOINT

4" WALK DETAILS



No.	Revision	By	Date
	EVERGREEN 5TH		
MISCELLANEOUS PAVING DETAILS			
JAMES L. ARMOUR, P.E.—CITY ENGINEER CITY OF WICHITA PROJECT NO. 472-84103 Professional Engineering Consultants, P.A. 303 S. TOPEKA • WICHITA, KANSAS 67202 316-262-2691 • FAX 316-262-3003			
Designed by	BDB, BMM	Job No.	35-05415-000
Drawn by	BJS, BMM	Date	July 2005