



WICHITA, KANSAS
Pool Improvements
COLLEGE HILL PARK



Jeff Bartley - ENGINEER
LICENSE #15116

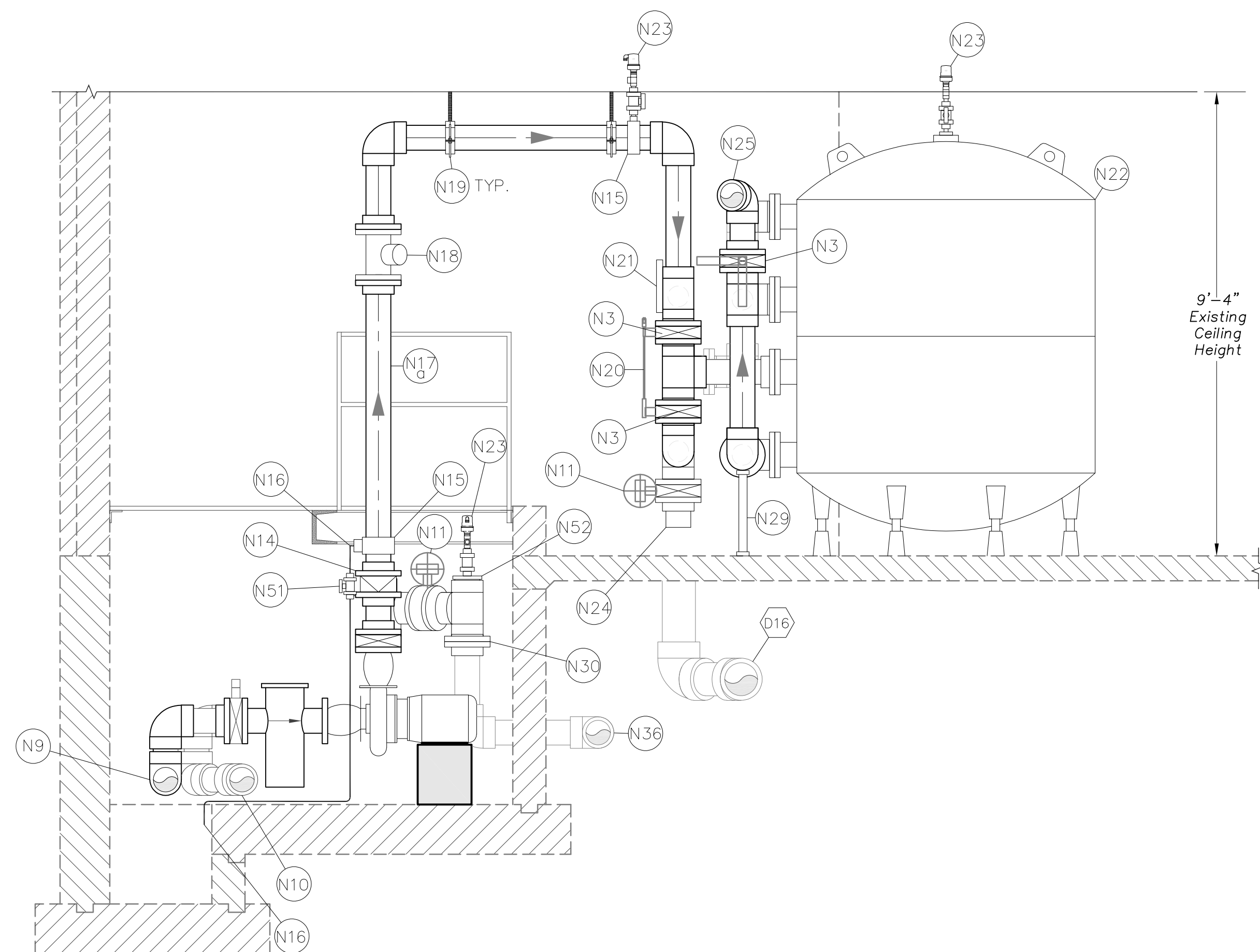
Date: 09-27-21 Job #: 18-512

Drawn: CJB Checked: JAB

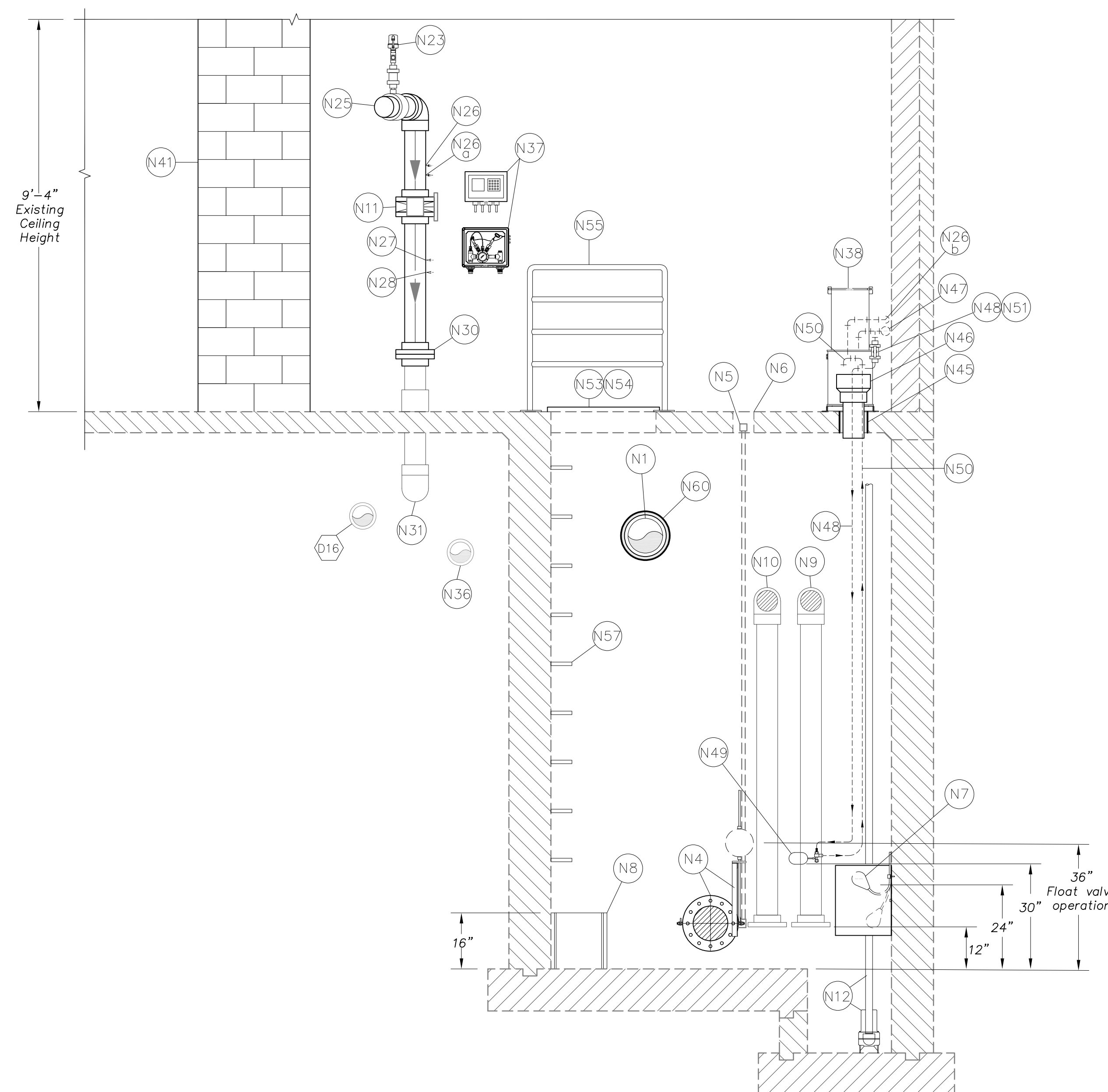
Issue: CONSTRUCTION DOCUMENTS

FILTER AREA
IMPROVEMENT
SECTIONS

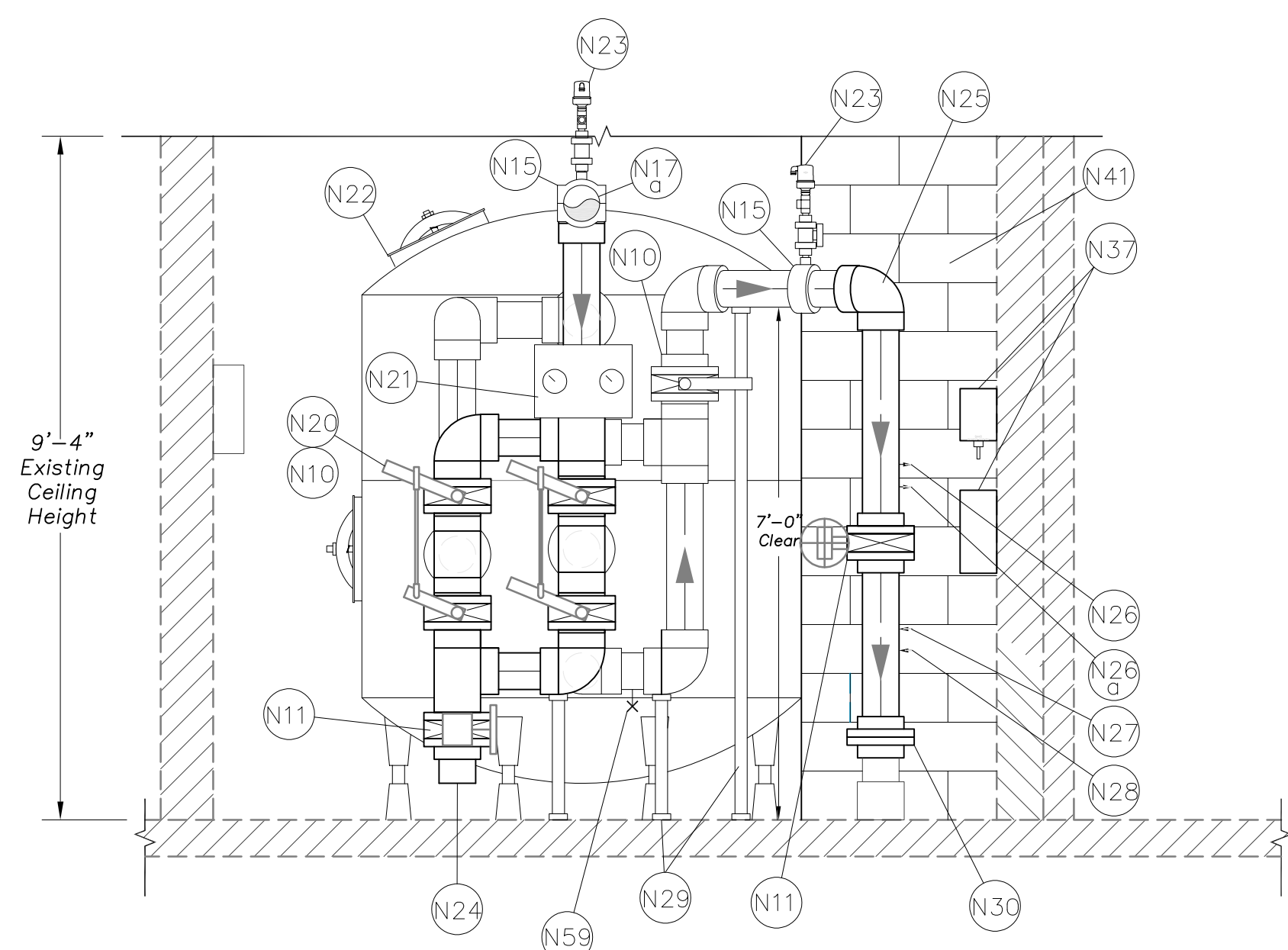
SP-F3



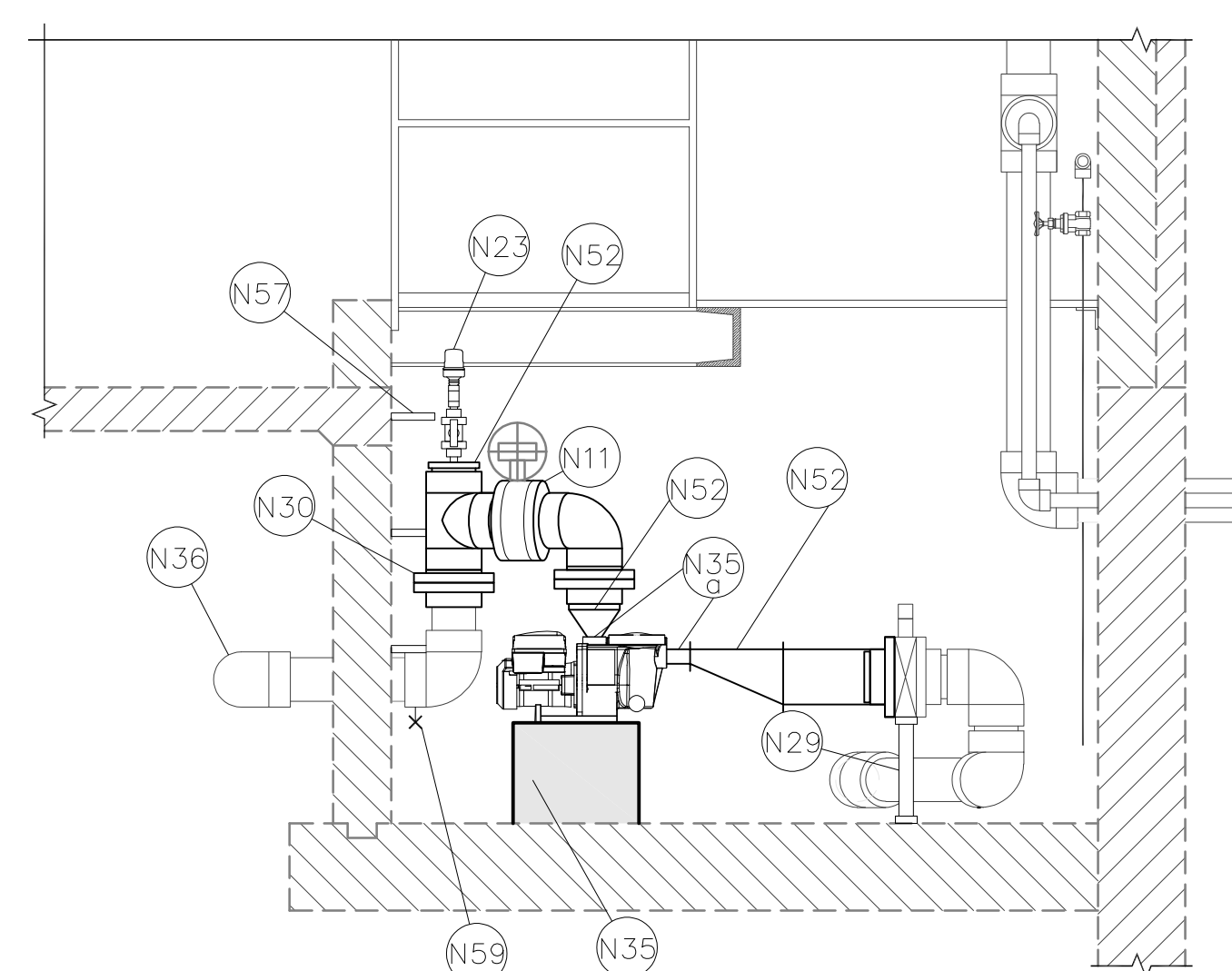
A FILTER AREA IMPROVEMENT SECTION
Scale: 1/2"=1'-0"



B FILTER AREA IMPROVEMENT SECTION
Scale: 1/2"=1'-0"



C FILTER AREA IMPROVEMENT SECTION
Scale: 1/2"=1'-0"



D FILTER AREA IMPROVEMENT SECTION
Scale: 1/2"=1'-0"