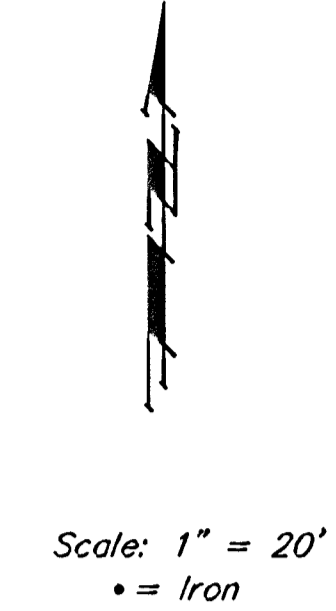


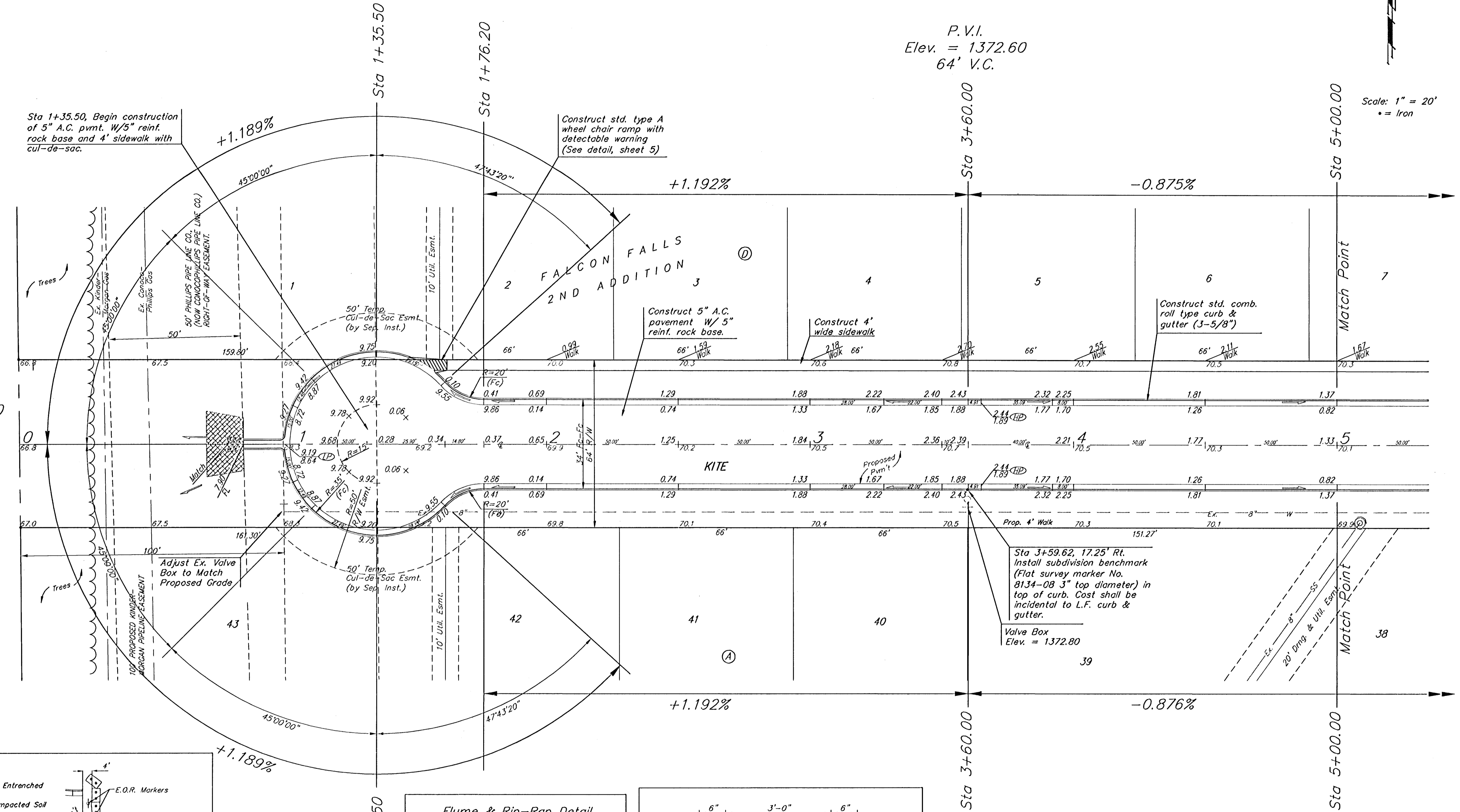
BENCHMARKS:
 BM #1: "□" CL face of catch basin, west side of Lot 4, Block 5, Falcon Falls Addition. Elev. = 1352.47 MSL

BM #2: "□" south end of the south curb return at Kite and Peregrine, Falcon Falls Addition. Elev. = 1359.85 MSL

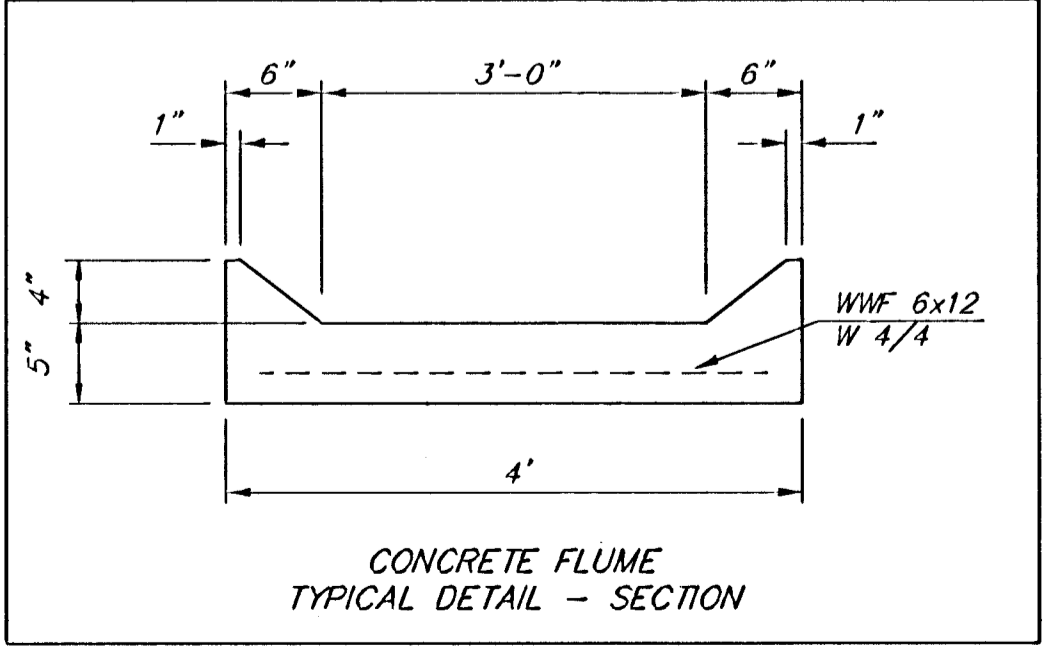
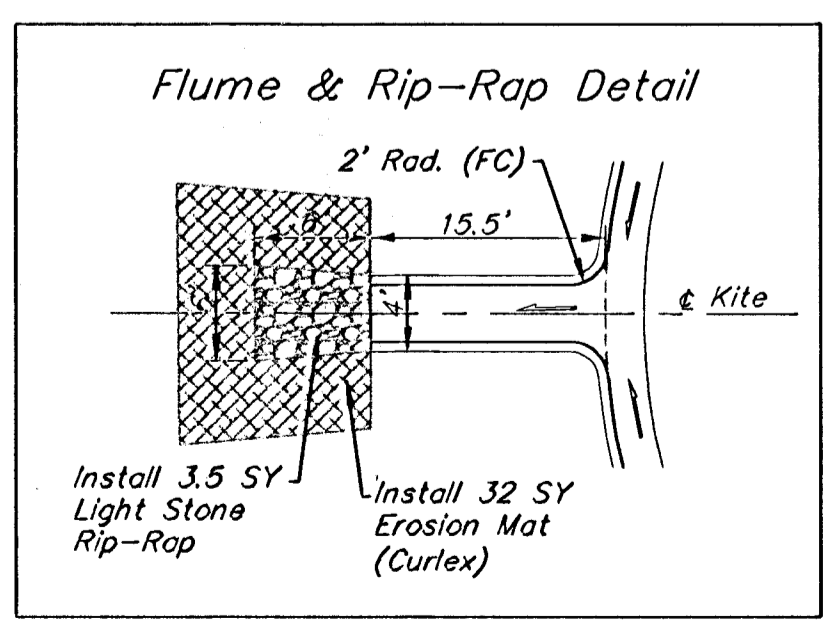
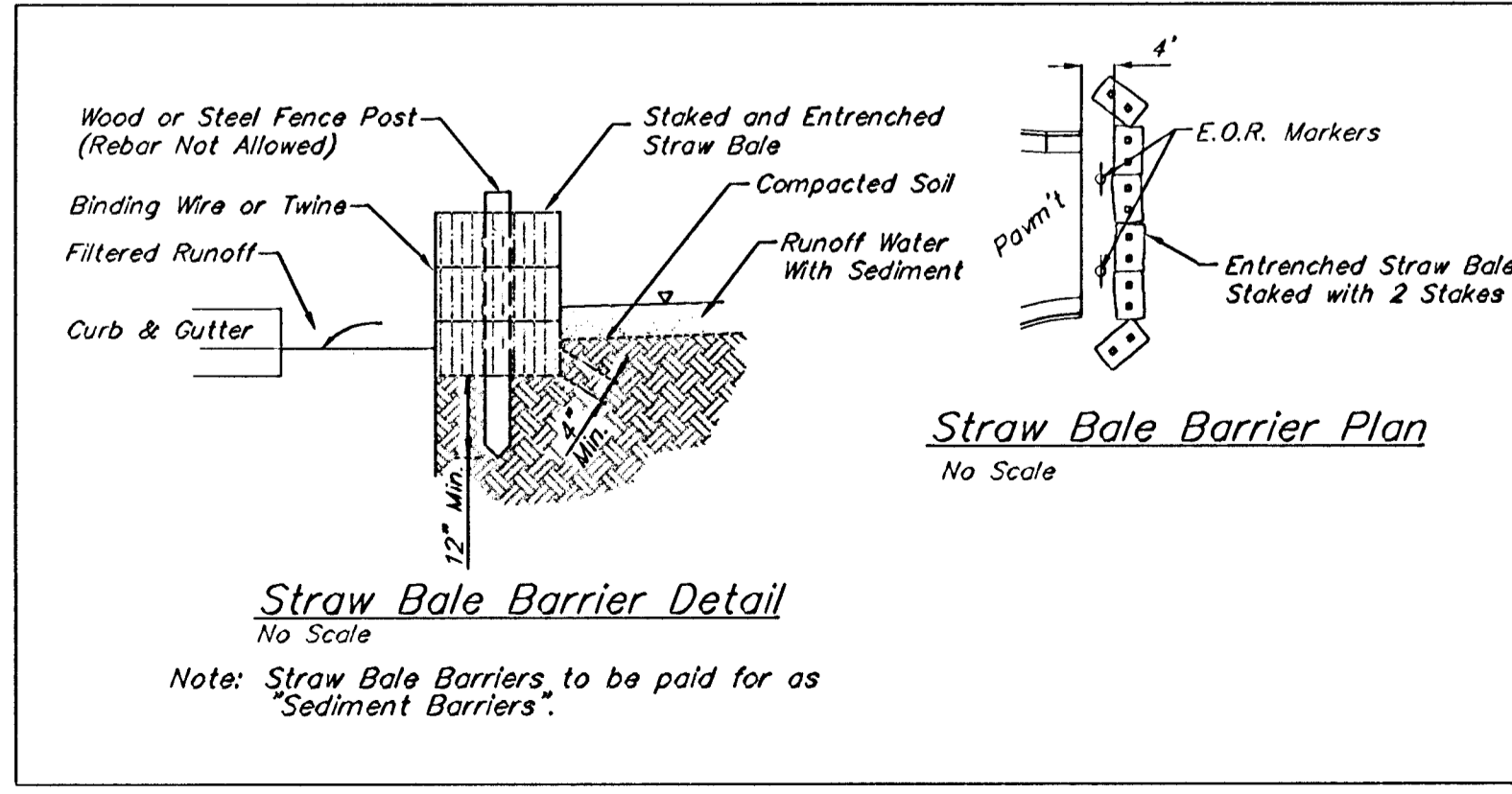


P.V.I.
 Elev. = 1359.10
 30' V.C.

Sta. 0+00 = C.L.
 Kite at West P.L.



P.V.I.
 Elev. = 1372.60
 64' V.C.



NOTE: ROLL TYPE CURB & GUTTER TO BE CONSTRUCTED ON THE PAVEMENT SHOWN ON THIS SHEET. TOP OF CURB ELEVATIONS ARE GIVEN FOR FULL HEIGHT CURB.

FALCON FALLS 2ND ADD. - PH. 1 KITE STA 0+05.00 TO STA 5+00.00		PROJECT NUMBER 47284264	DESIGN TJW	DRAWN TMS
		APPROVED AEG	DATE 01/06	
REVISIONS:		SCALE Notes SHEET		
		6 OF 44		
Falcon Falls 2nd Add. PH. 1		05-10-E376		