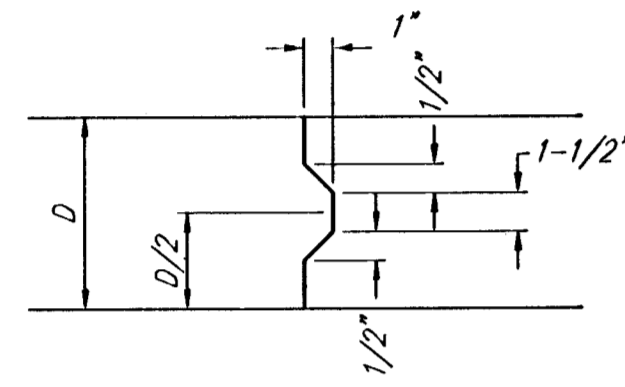
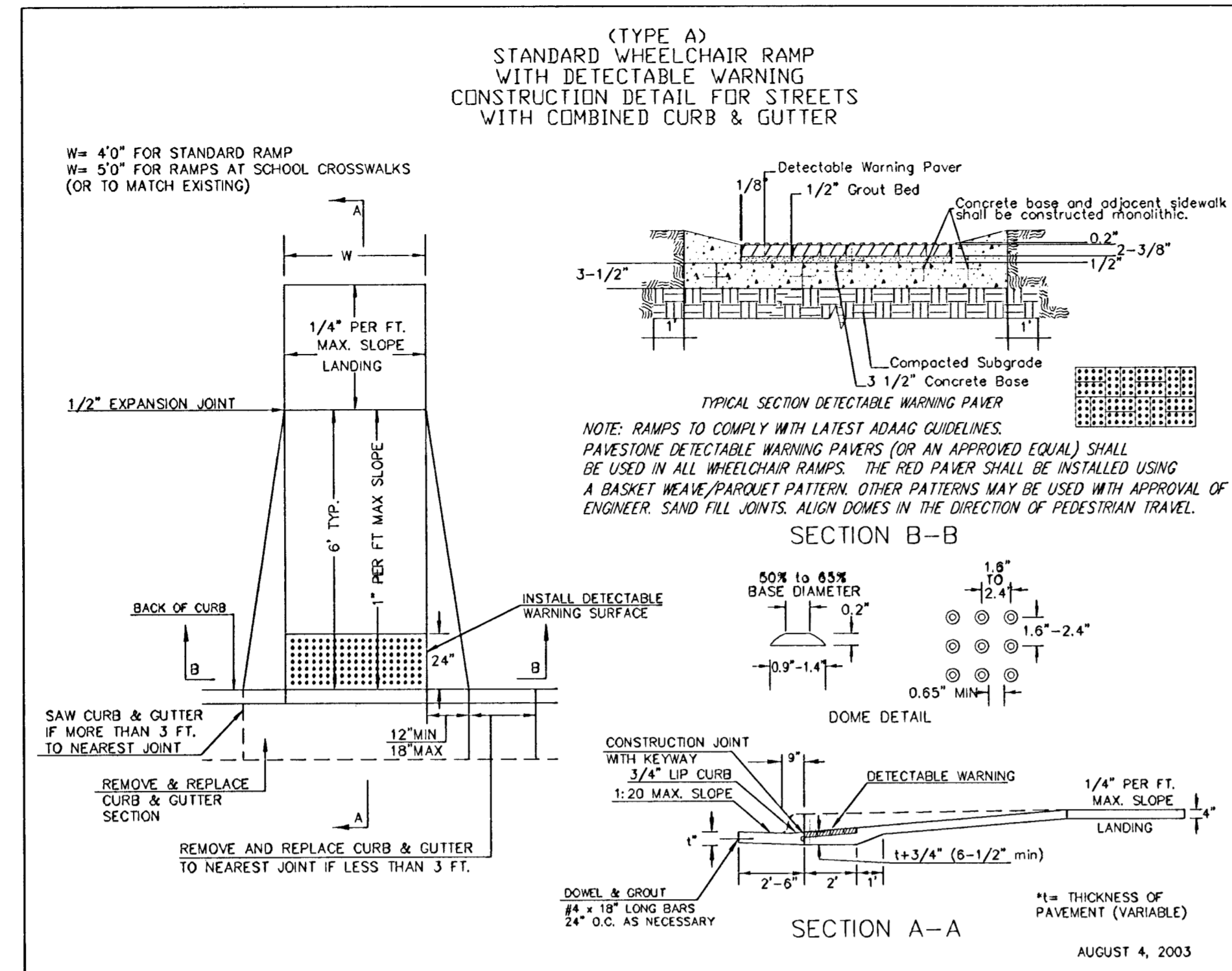


EXPANSION JOINT

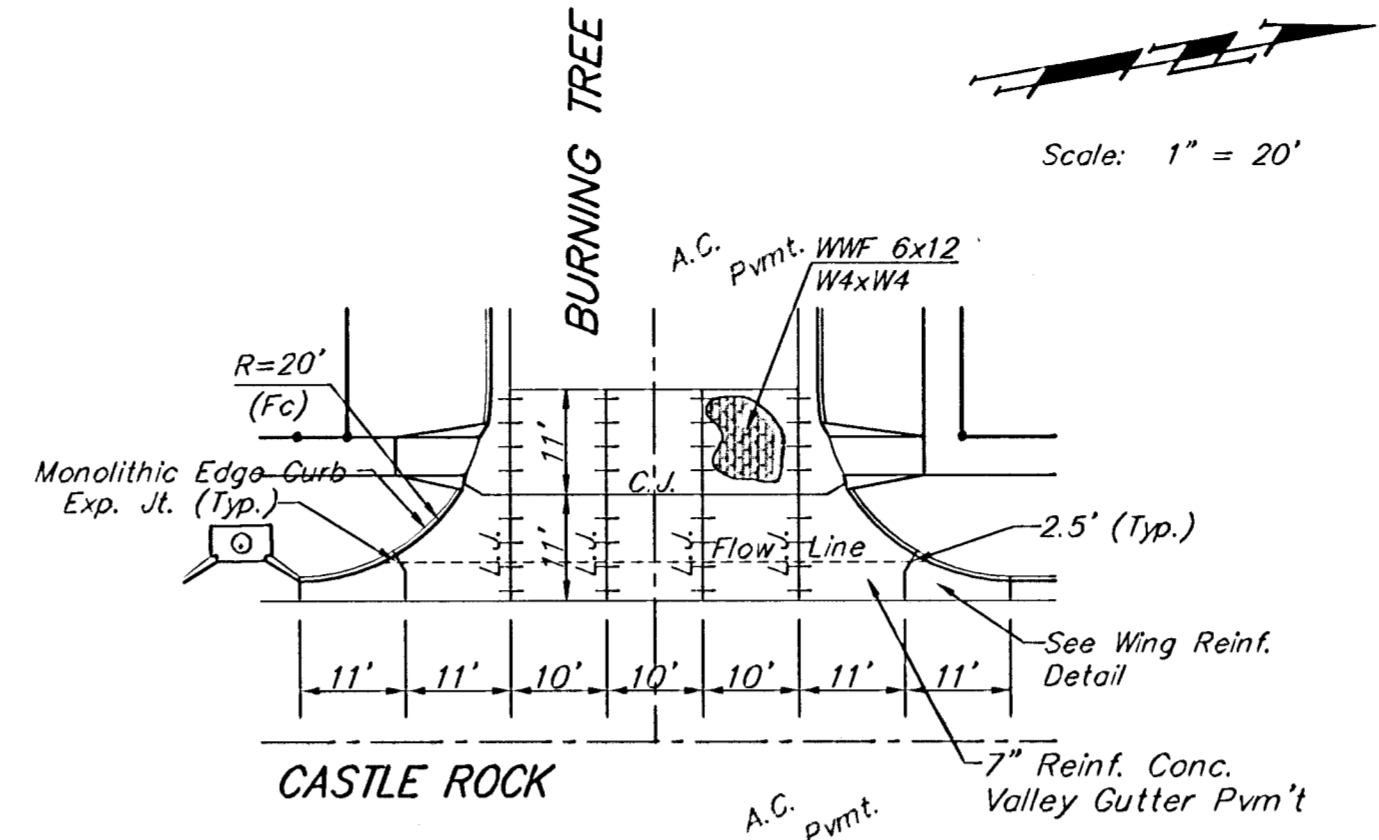
NOTE: Extra Thickness to be Subsidiary to Price of Square Yards Pavement



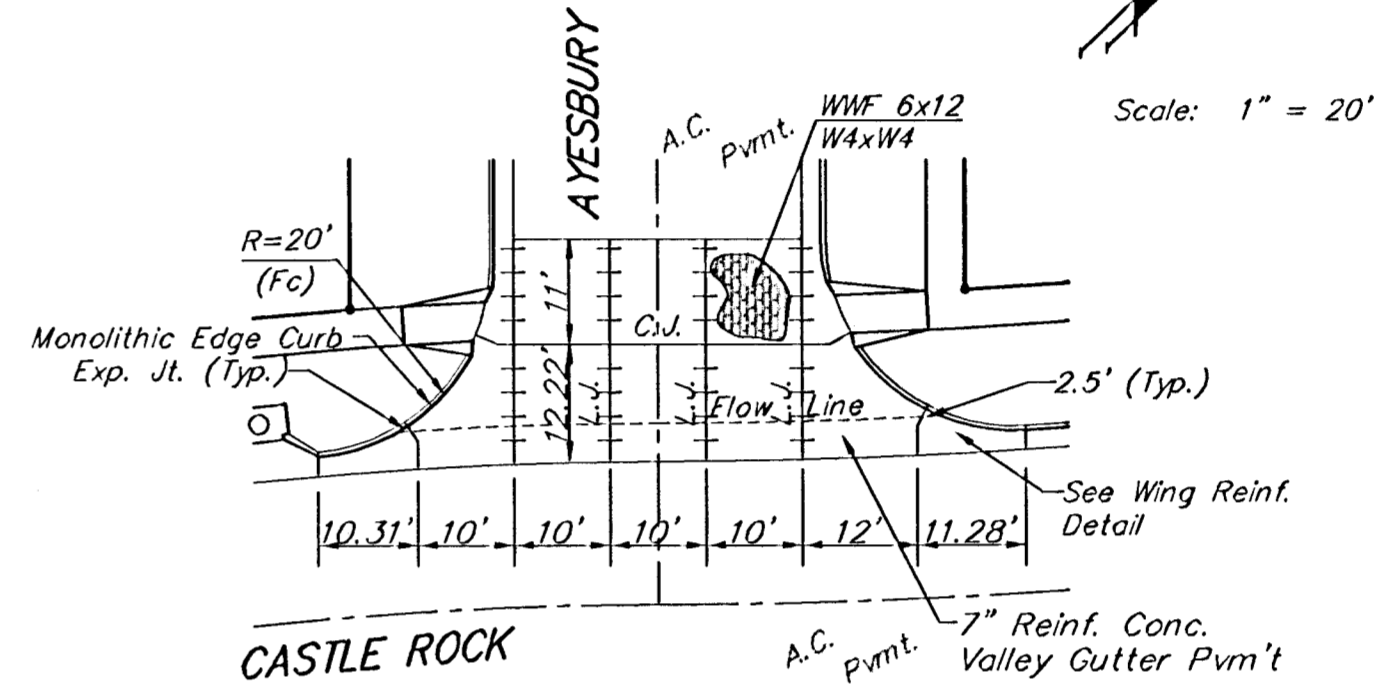
KEYWAY DETAIL



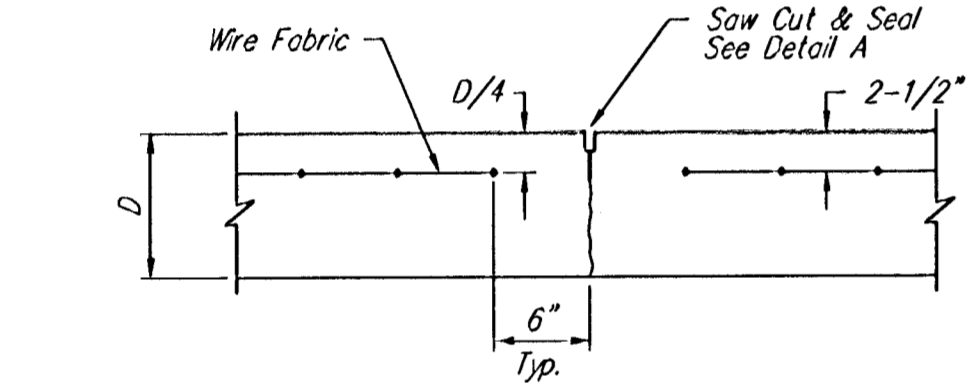
WHEELCHAIR RAMP DETAIL



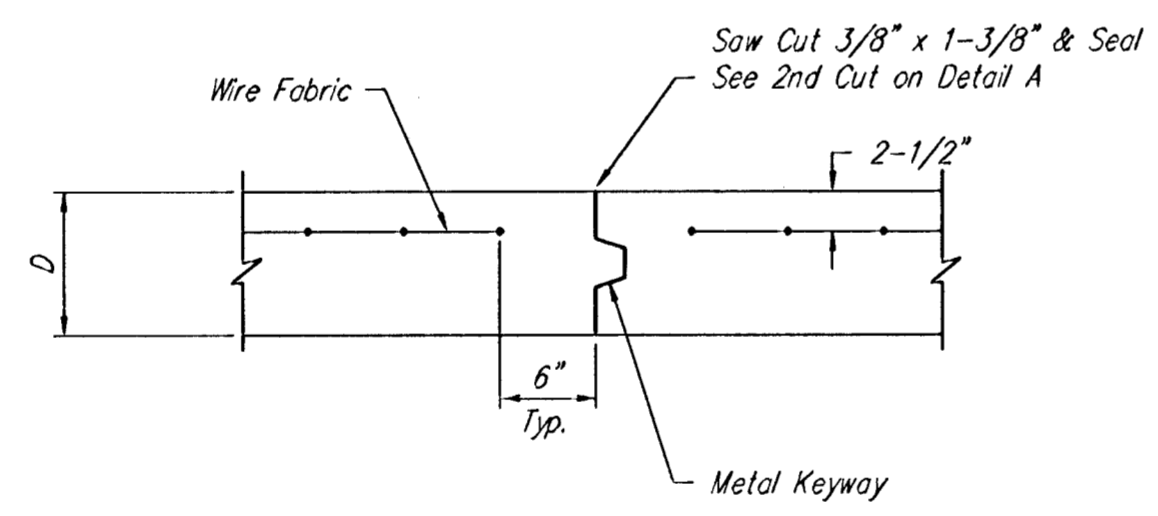
Scale: 1" = 20'



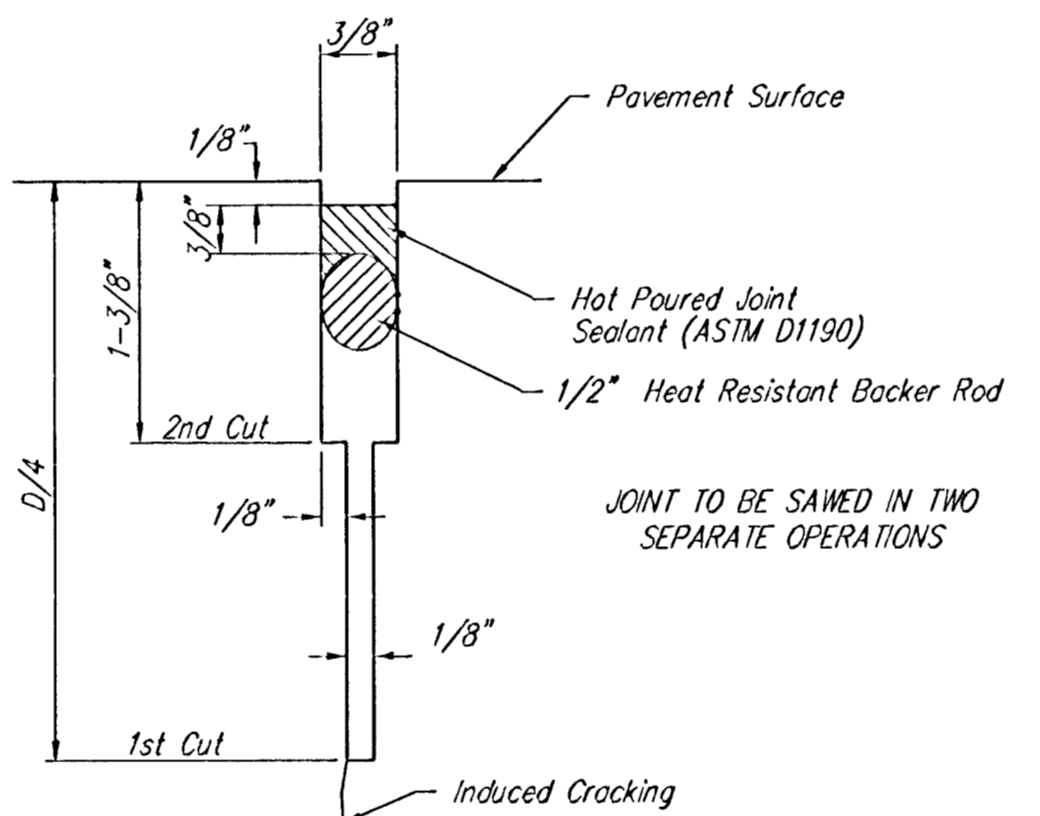
Scale: 1" = 20'



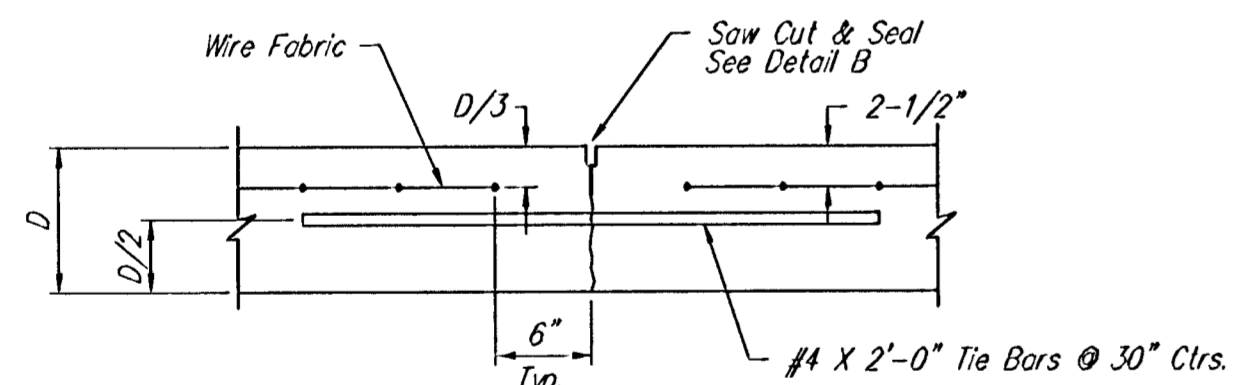
CONTRACTION JOINT DETAIL (C.J.)



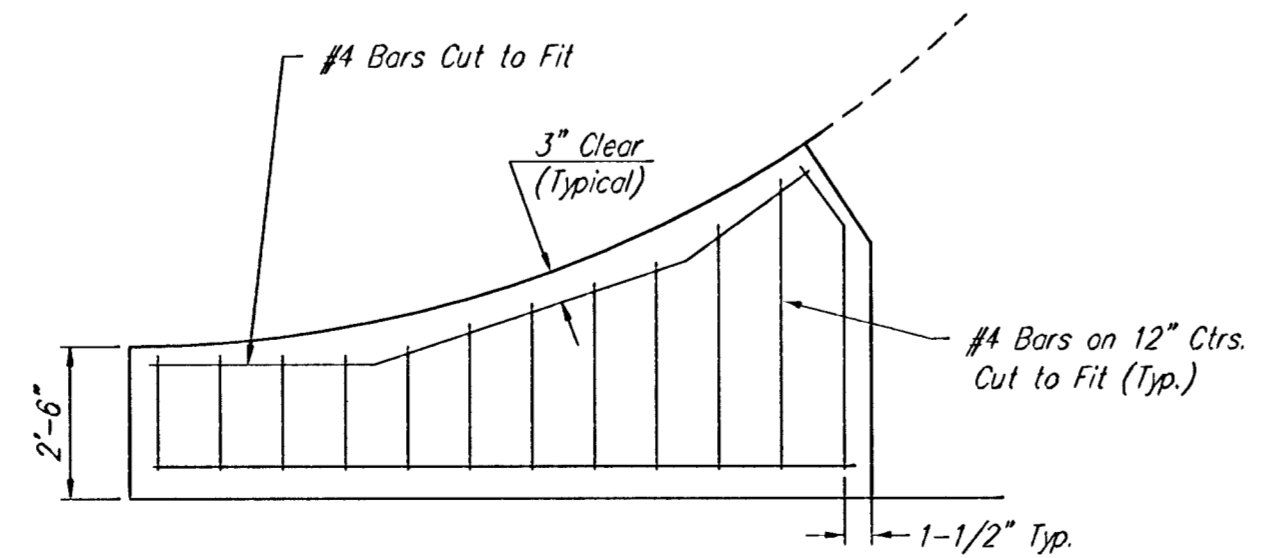
OPTIONAL CONTRACTION JOINT (CONSTRUCTION JOINT)



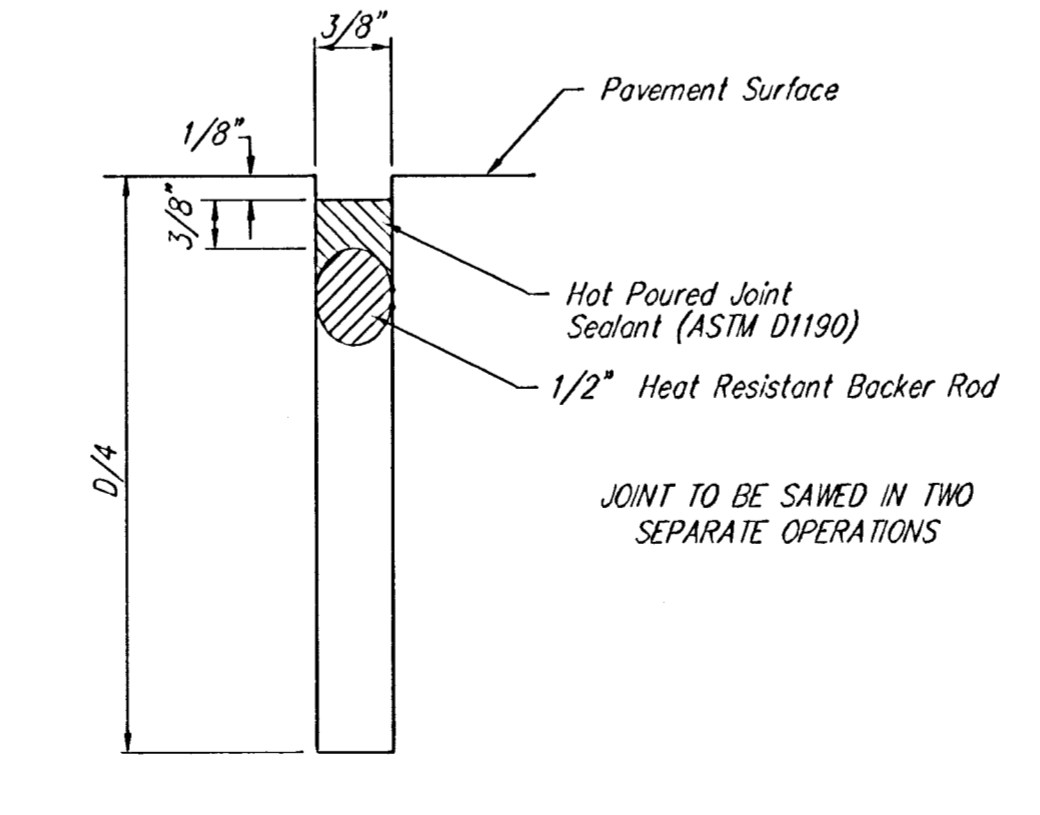
SAW JOINT DETAIL "A"



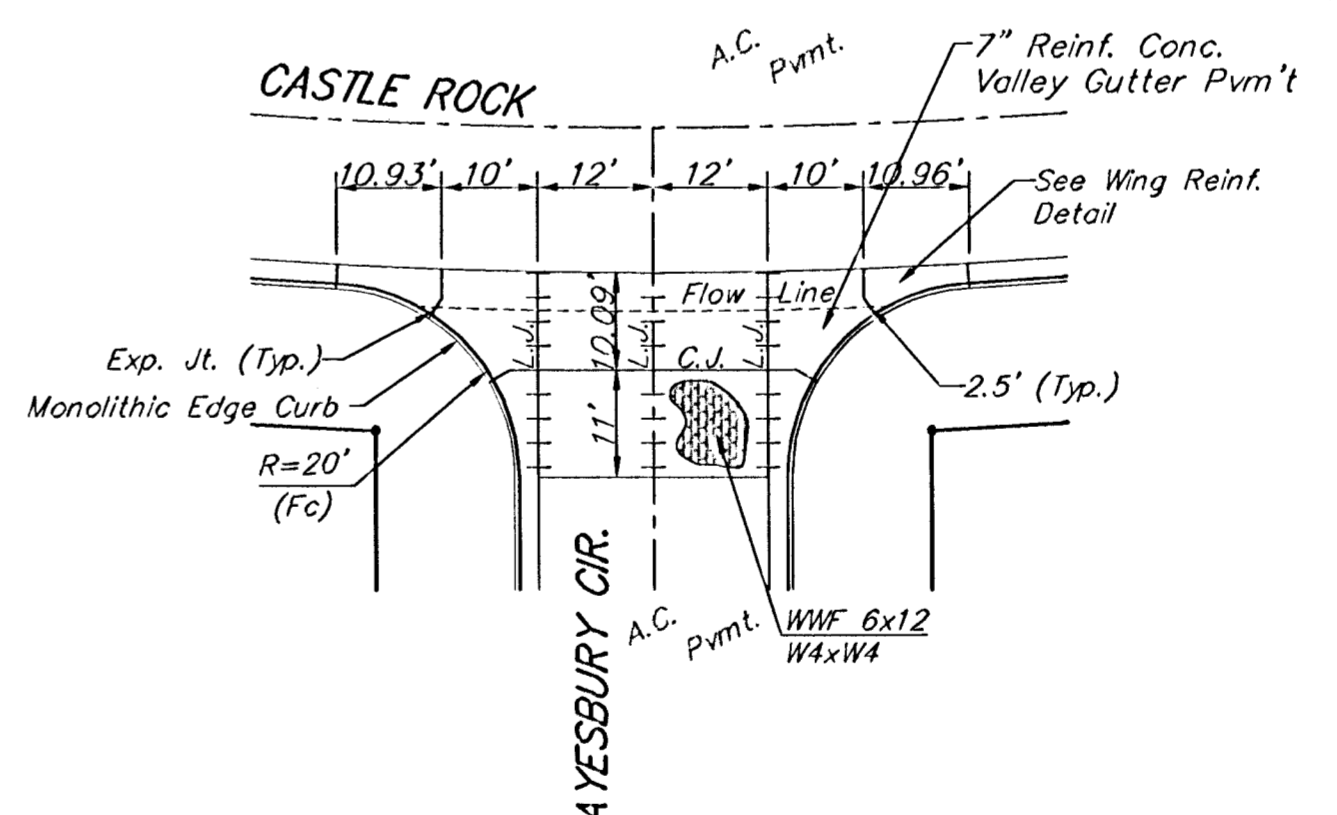
LONGITUDINAL JOINT DETAIL (L.J.)



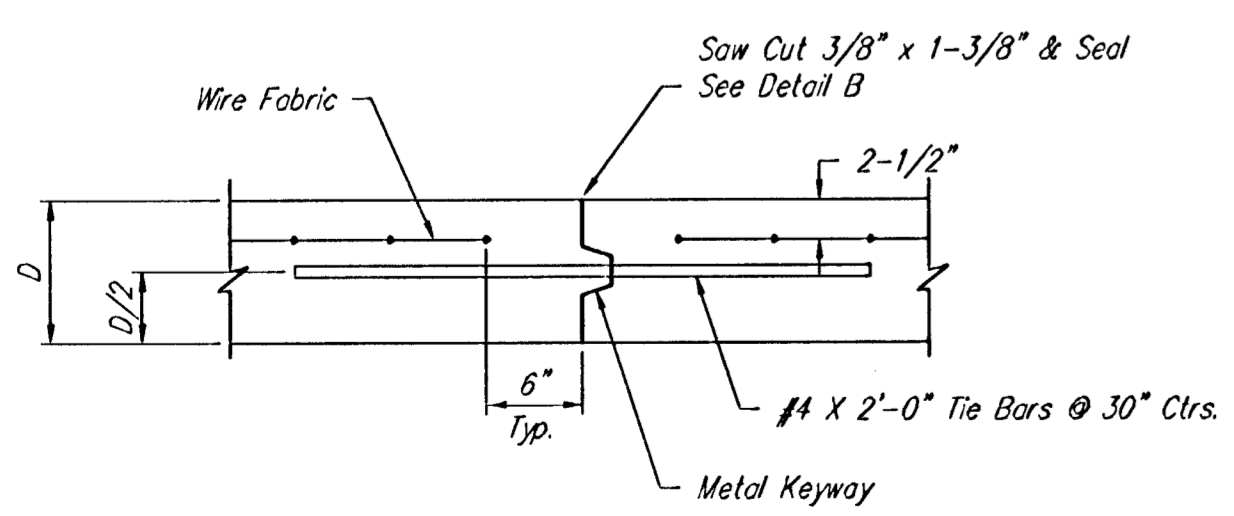
WING REINFORCING DETAIL



SAW JOINT DETAIL "B"



Scale: 1" = 20'



OPTIONAL LONGITUDINAL JOINT DETAIL (L.J.) (CONSTRUCTION JOINT)

NOTE: 6" X 12" W4XW4 Wire Fabric Reinforcing Shall Be Placed So That The Wires With The 6" Spacing Will Run Parallel With The Longitudinal Joints.

		VALLEY GUTTER DETAILS	
		Baughman Company, P.A. 315 Ella St. Wexford, PA 15111 F16162711 F16162710 ENGINEERING SURVEYING PLANNING LANDSCAPE ARCHITECTURE	
PROJECT NUMBER 472-33974		DESIGN STAFF	DRAWN STAFF
REVISIONS:		APPROVED	DATE
		SCALE	NONE
		SHEET	5 OF 44
/s/ gdetul		05-04-E231	