



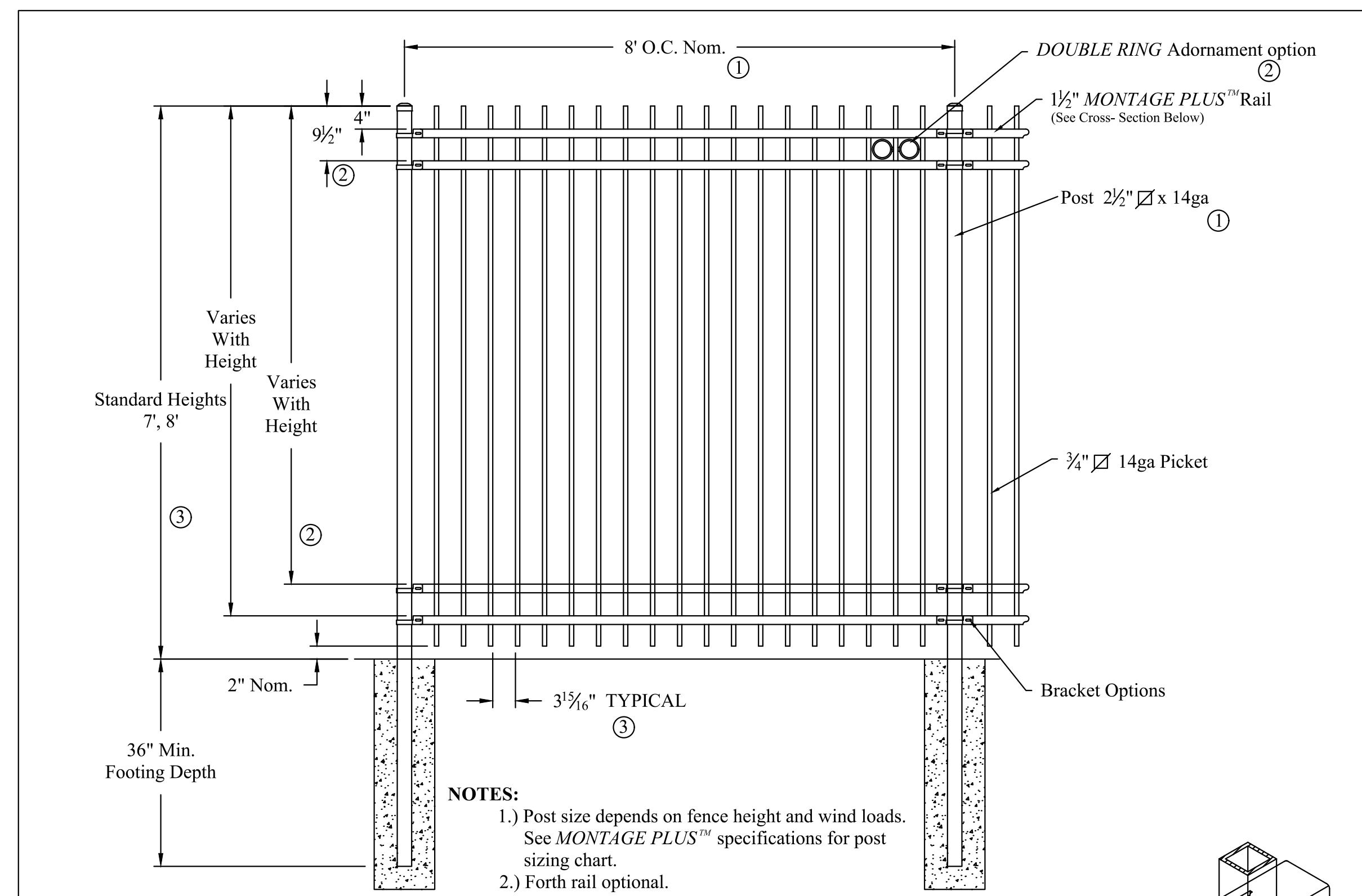
©2011 MKEC Engineering, All Rights Reserved. www.mkec.com
These drawings and their contents, including, but not limited to, all concepts, designs, & data are the exclusive property of MKEC Engineering, (MKEC), and may not be used or reproduced in any way without the express consent of MKEC.

STADIUM FENCE DETAILS

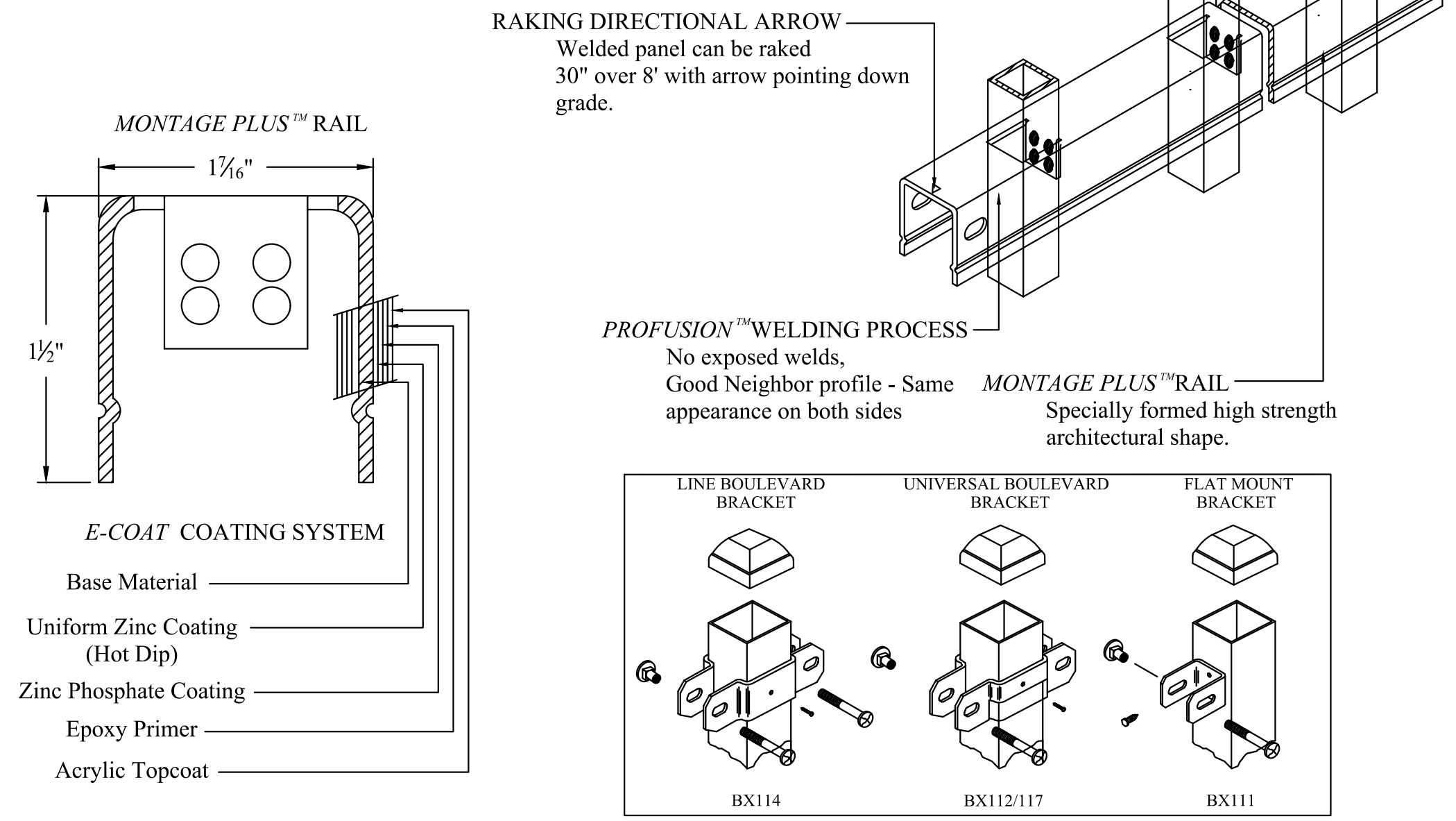
PROJECT NO.	1701010567	
DATE	NOV. 2021	
SCALE	AS SHOWN	
DESIGNED	DRAWN	CHECKED
DFL	JWC	MAB

ISSUED FOR CONSTRUCTION	11-24-21	
NO.	REVISION	DATE

SHEET NO.
FC4.1



- NOTES:**
- 1.) Post size depends on fence height and wind loads. See *MONTAGE PLUS* specifications for post sizing chart.
 - 2.) Forth rail optional.
 - 3.) 7' - 8' Heights will require a 14ga Picket and 14ga Post



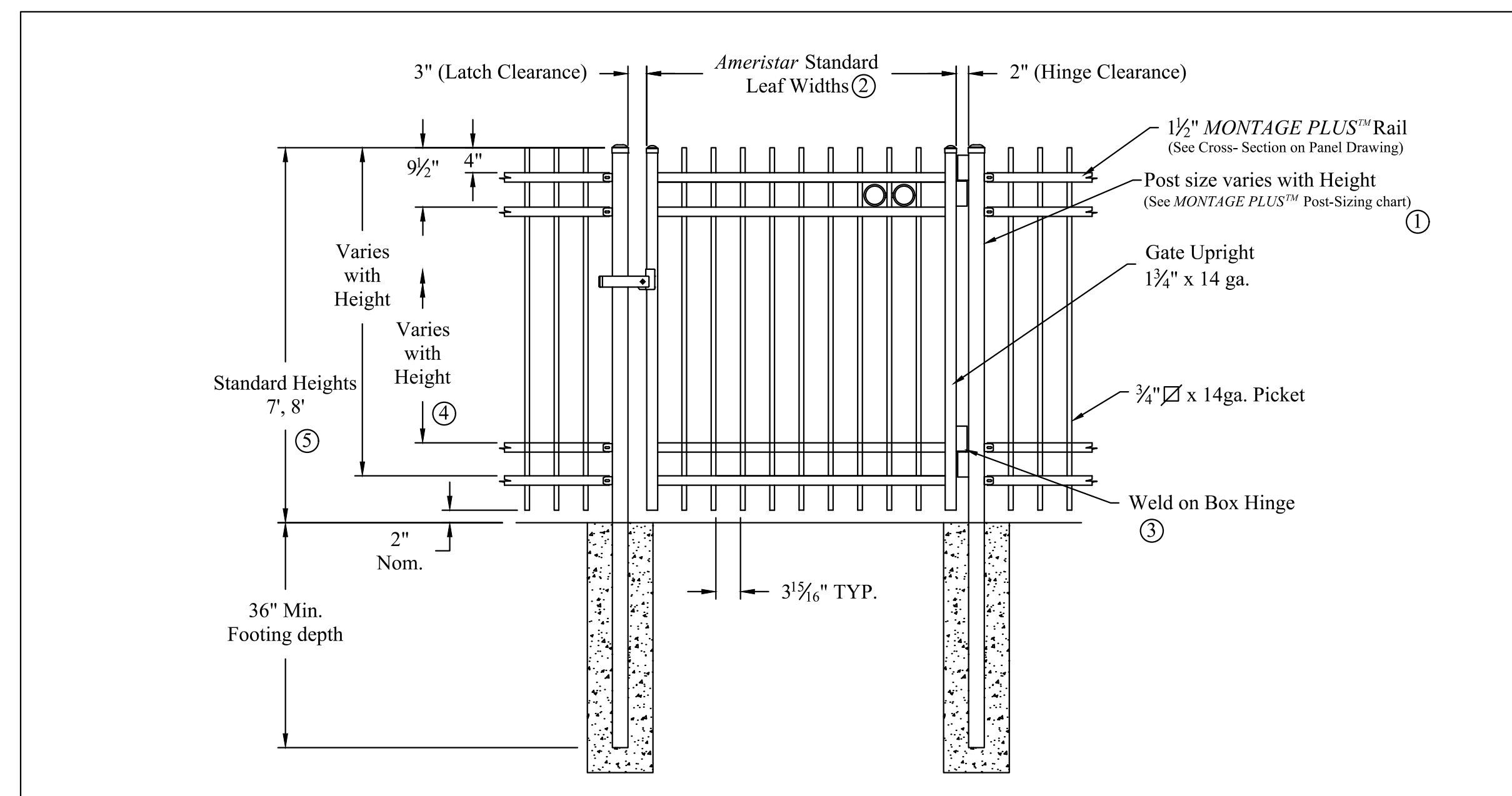
COMMERCIAL STRENGTH WELDED STEEL PANEL
PRE-ASSEMBLED

Values shown are nominal and not to be used for installation purposes. See product specification for installation requirements. IRGIS07-8

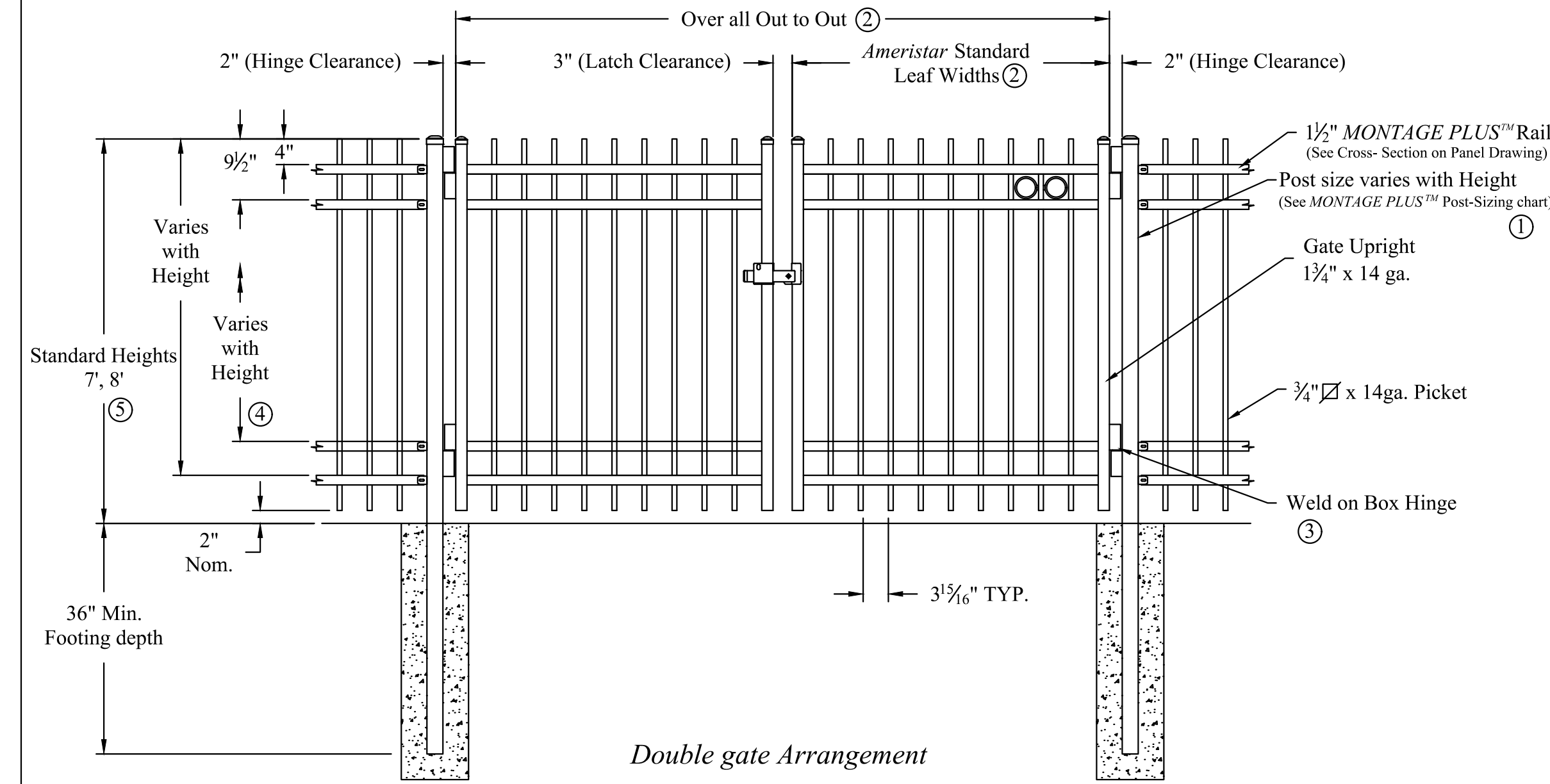
MONTAGE COMMERCIAL GENESIS 3/4-RAIL		
DR: NJB	SH. 1 of 1	SCALE: DO NOT SCALE
CK: BS	Date 9/21/11	REV: d



1555 N. Mingo
Tulsa, OK 74116
1-888-333-3422
www.ameristarfence.com



- NOTES:**
- Single gate Arrangement*
- 1.) Post size depends on fence height, weight and wind loads. See *MONTAGE PLUS* post sizing chart.
 - 2.) See *Ameristar* gate table for standard out to outs. Custom gate openings available for special out to out/leaf widths.
 - 3.) Additional styles of gate hardware are available on request. This could change the Latch & Hinge Clearance.
 - 4.) Forth rail optional.



COMMERCIAL STRENGTH WELDED STEEL GATE

Values shown are nominal and not to be used for installation purposes. See product specification for installation requirements. IRGIS07-8

MONTAGE COMMERCIAL GENESIS 3/4-RAIL SGL & DBL GATE		
DR: RTM	SH. 1 of 1	SCALE: DO NOT SCALE
CK: ME	Date 6/28/10	REV: c



1555 N. Mingo
Tulsa, OK 74116
1-888-333-3422
www.ameristarfence.com

J:\PROJECTS\2011\1701010567_COM_STRYKER_170607_CAD\DETAILS\FC4.1.DWG