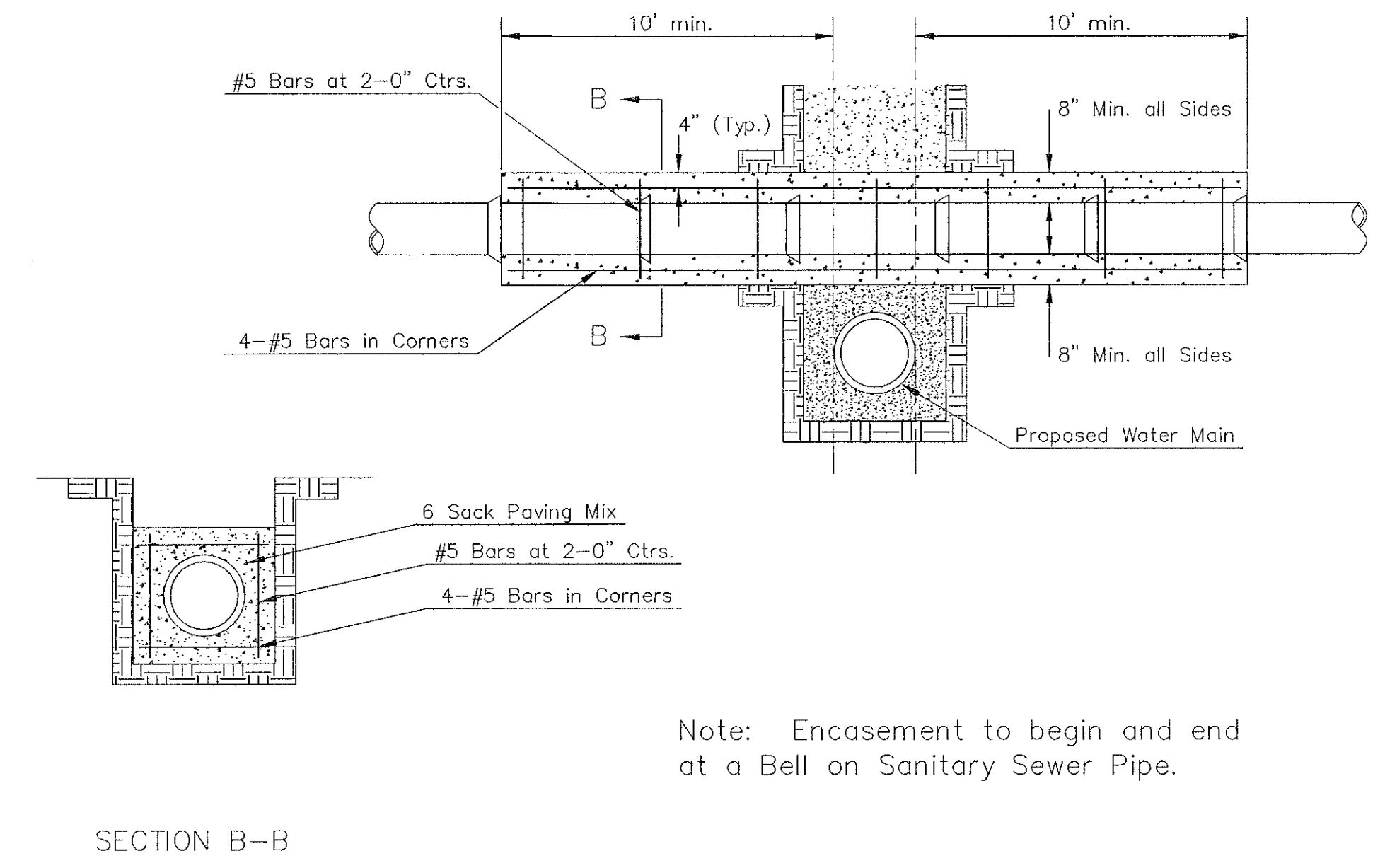


TRENCH COMPACTION IN ROAD RIGHT-OF-WAY

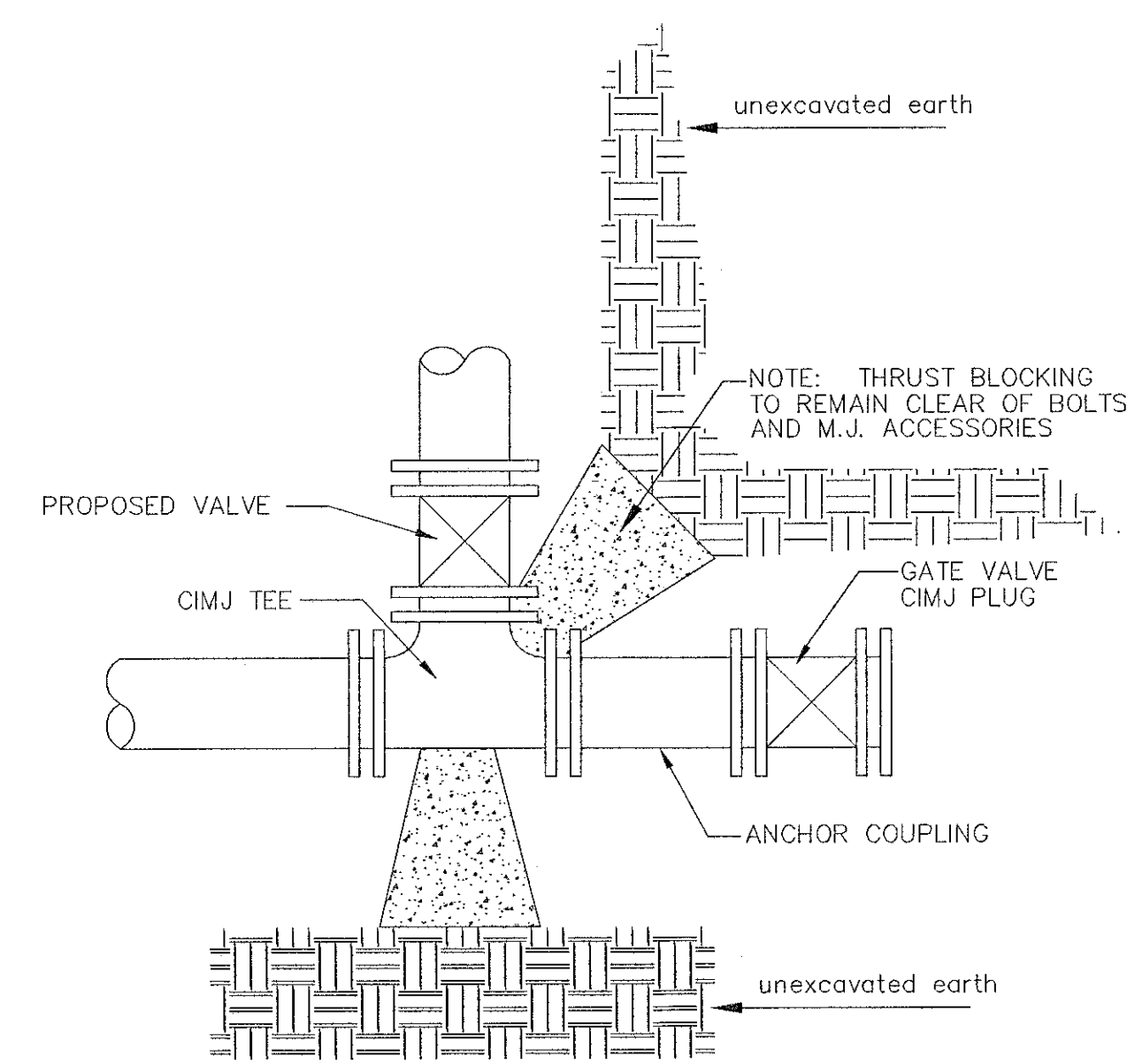


Note: Encasement to begin and end at a Bell on Sanitary Sewer Pipe.

REINFORCED CONCRETE ENCASEMENT OF SANITARY SEWER

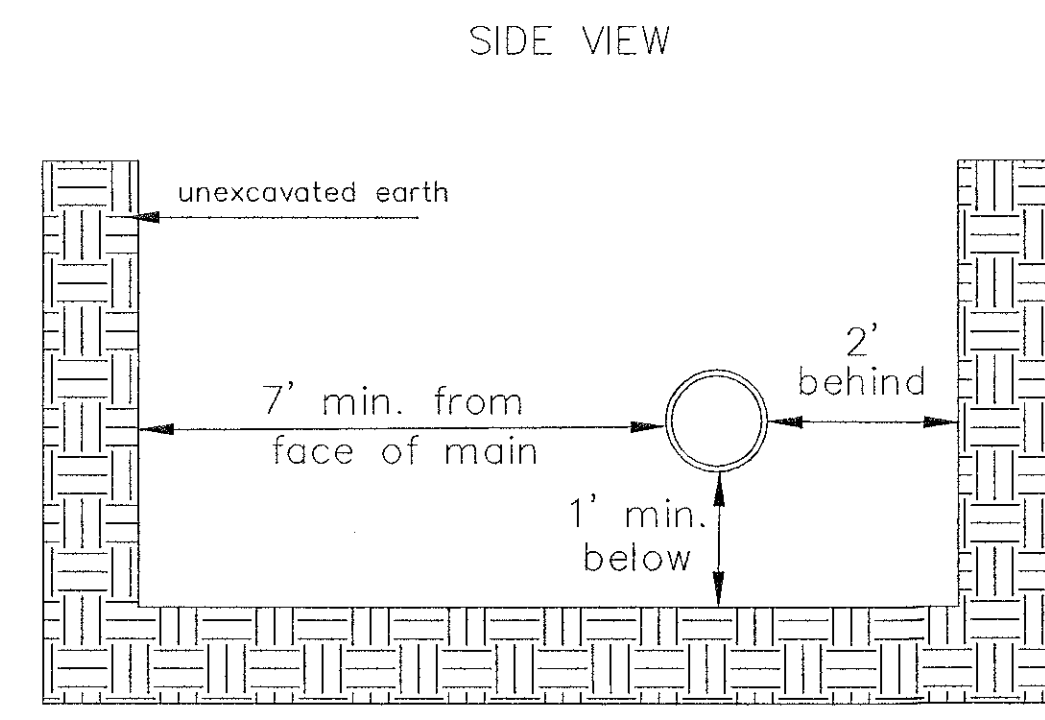
PIPE SIZE	THRUST AT FITTINGS IN TONS-AT 150#/IN ² P					
	PLUG	90°	45°	22 1/2°	11 1/4°	TEE
6"	2.8	3.95	2.15	1.09	.55	2.8
8"	4.9	6.95	3.75	1.90	.96	4.9
12"	11.4	16.1	8.75	4.45	2.25	11.4
16"	20.15	28.5	15.4	7.85	3.95	20.15
20"	31.15	44.0	23.85	12.15	6.10	31.15
24"	44.55	63.0	34.1	17.4	8.75	44.55

TYPICAL THRUST BLOCKS

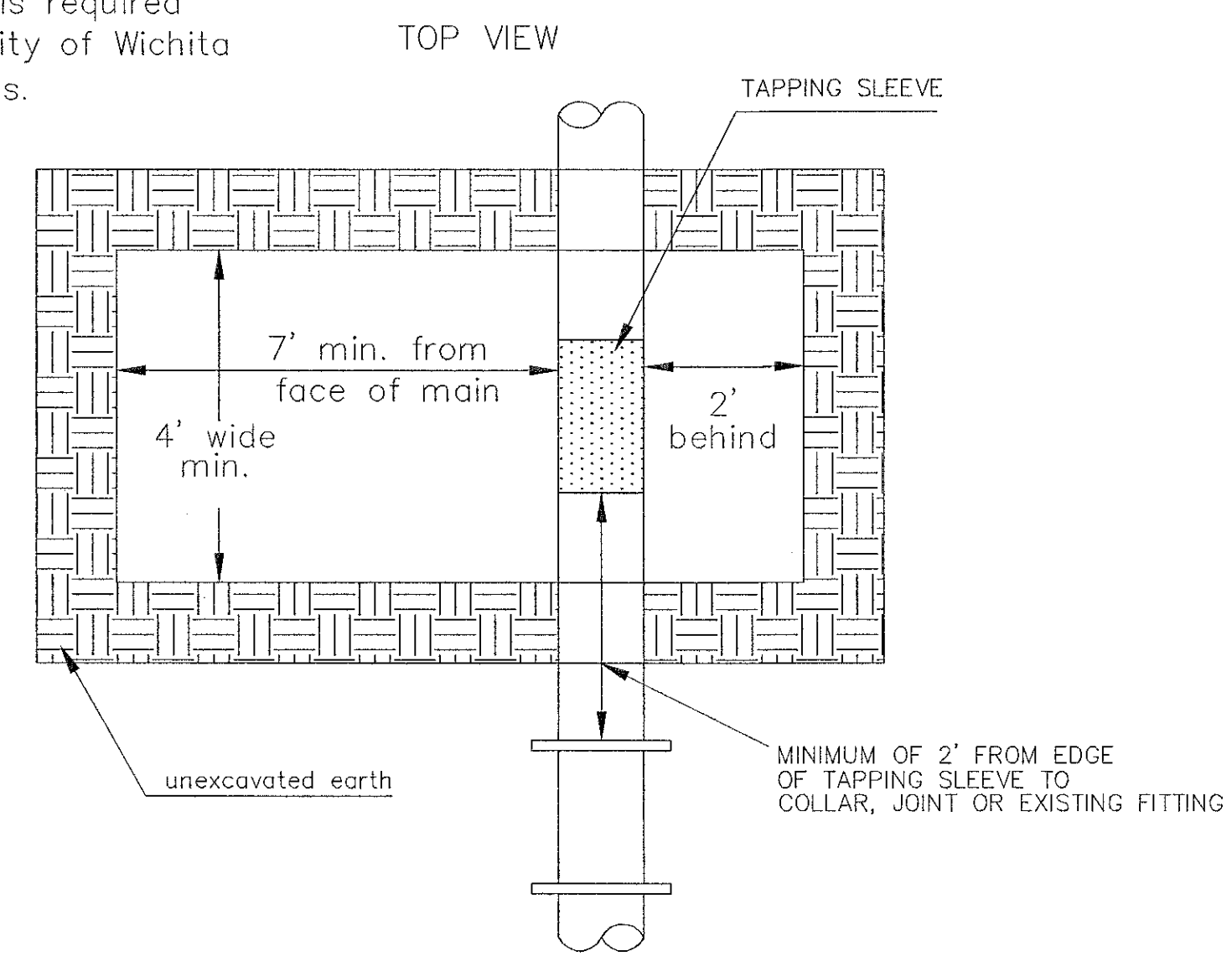


KEY BLOCK DETAIL

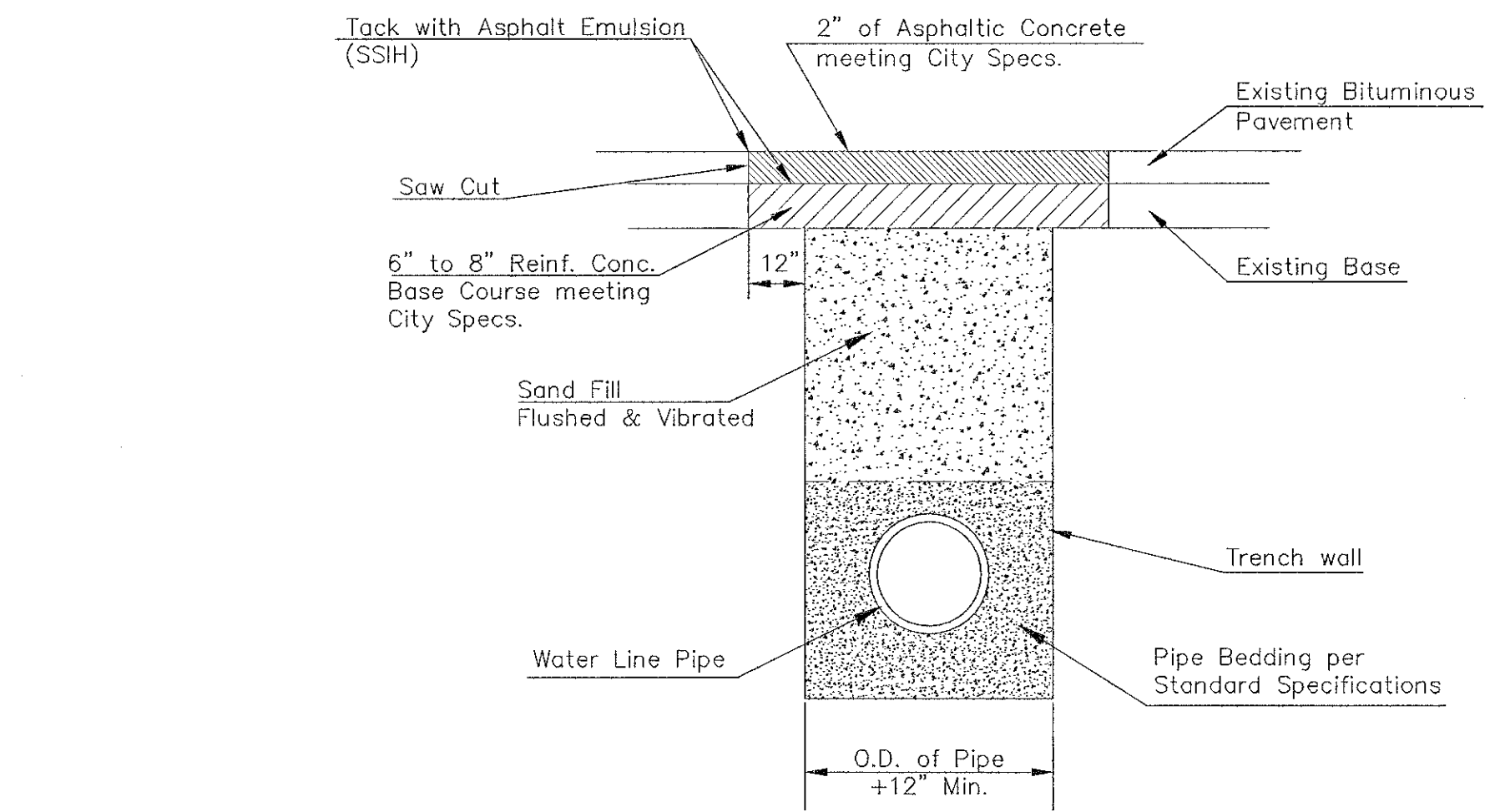
* PLANS GOVERN UNLESS OTHERWISE NOTED ON PLANS



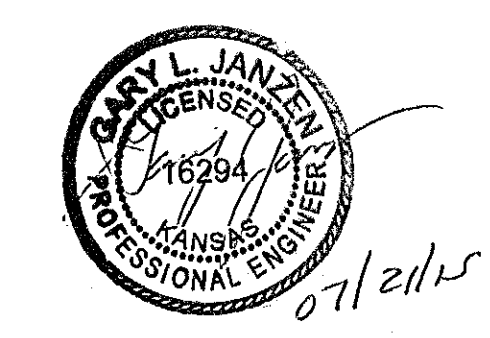
Note: When shoring is required it is to be per The City of Wichita Standard Specifications.



EXCAVATION FOR WET TAP



PAVEMENT REPLACEMENT & TRENCH COMPACTION UNDER EXISTING AND PROPOSED CITY ROADS



CITY OF WICHITA

PUBLIC WORKS & UTILITIES ENGINEERING DIVISION

REVISD: JULY 2015

MISCELLANEOUS WATER DETAILS		
CITY ENGINEER GARY JANZEN, P.E.		
PROJECT NUMBER	OCA NUMBER	DATE
CITY ENGINEER'S OFFICE		SHEET
CITY HALL - SEVENTH FLOOR 455 NORTH MAIN STREET WICHITA, KANSAS 67202-1620 (316) 268-4501		3 of 13