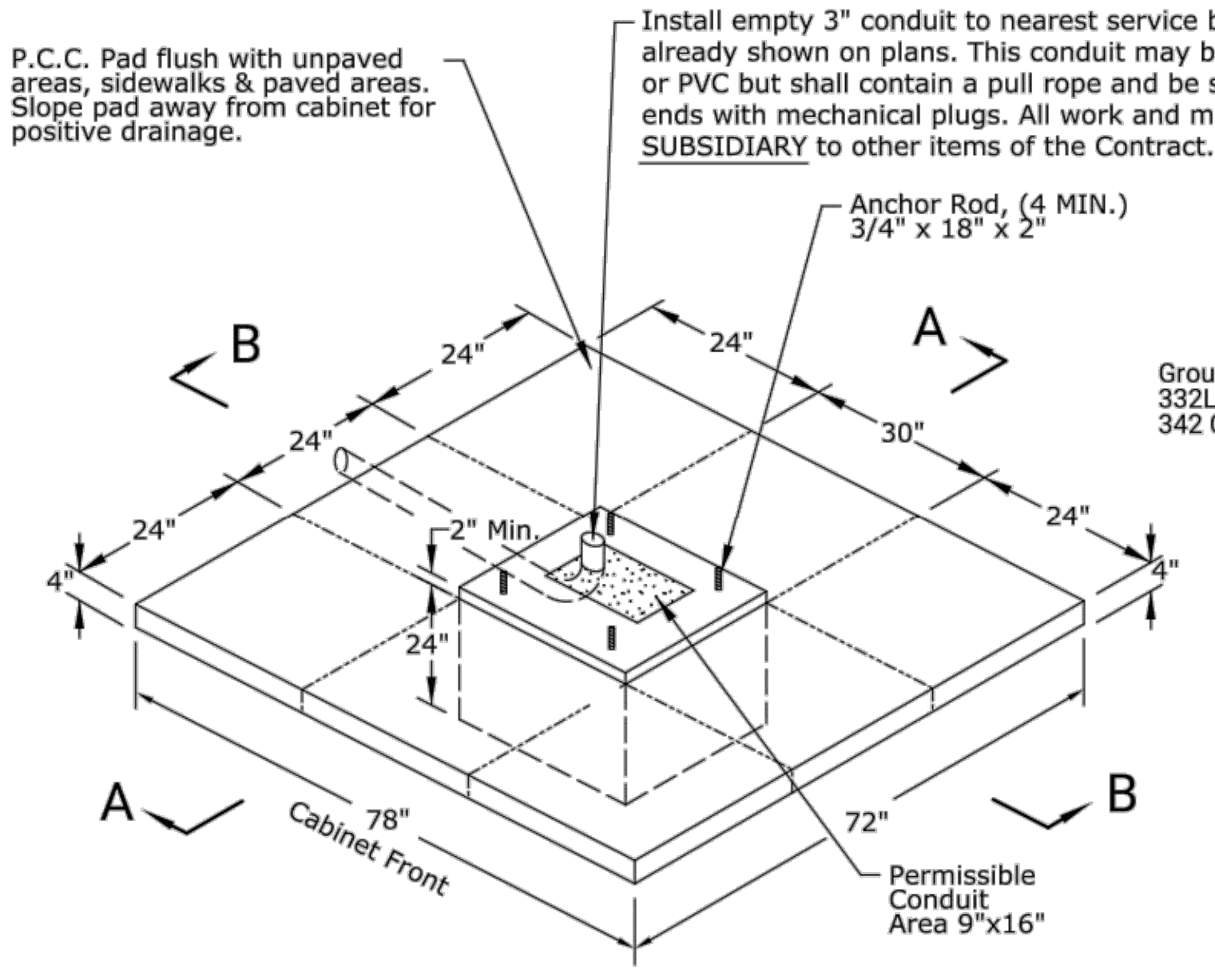
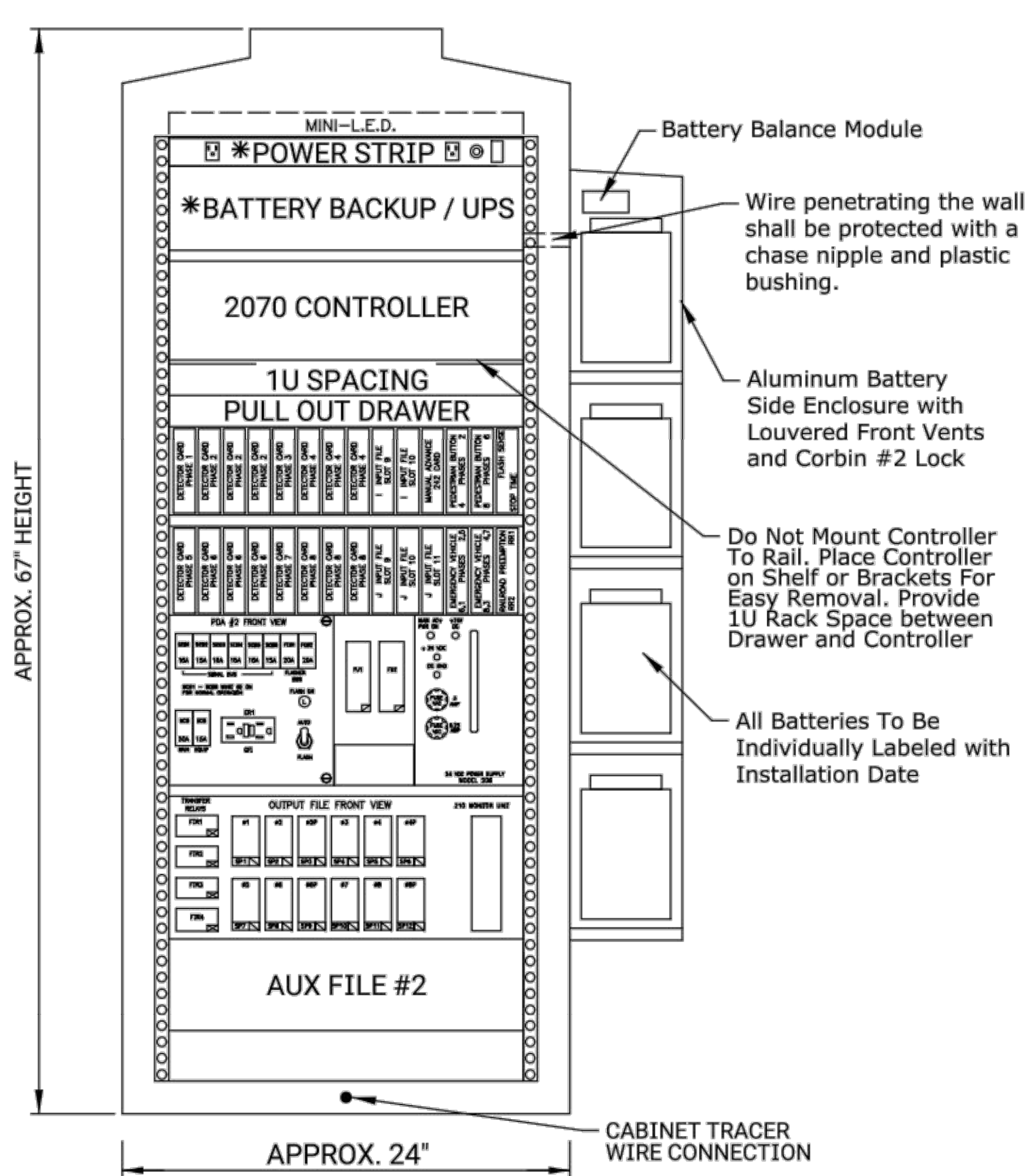
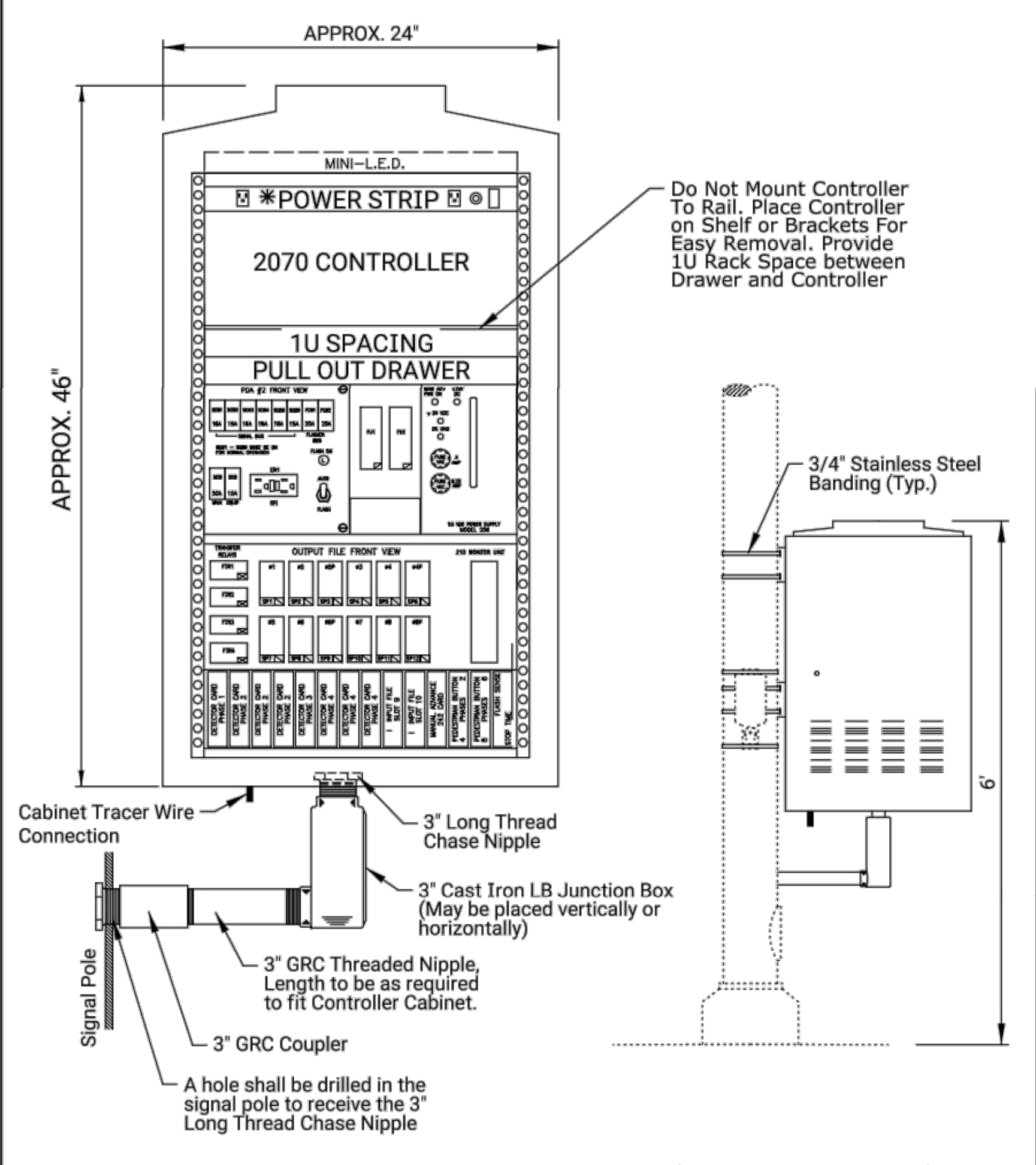
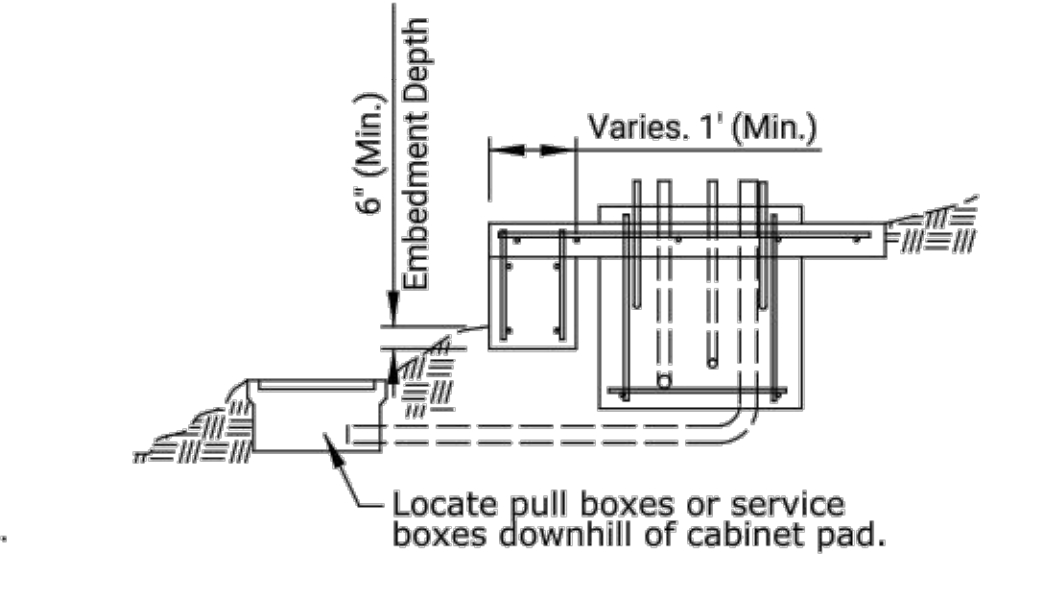
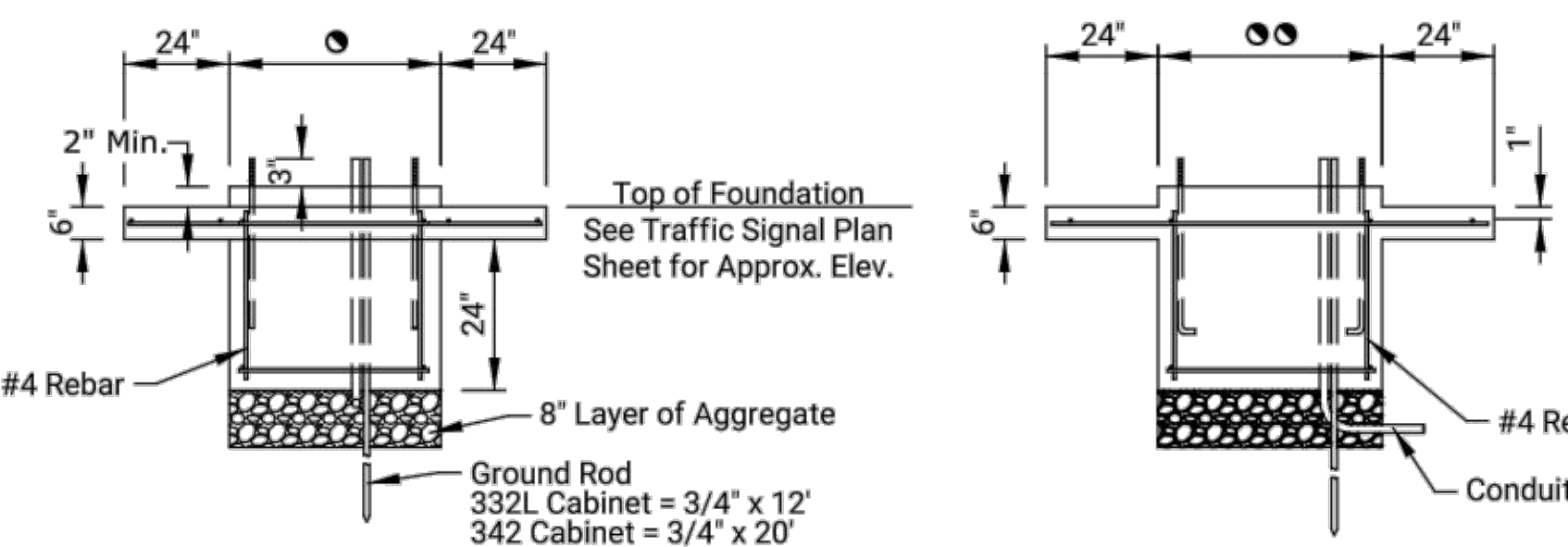


NOTE TO DESIGNER: Design shall identify cabinet type on Traffic Signal Quantity Sheet. Typically, the Type 332L Cabinet shall be used unless intersection includes (or future) fiber connections or integration with transportation system.



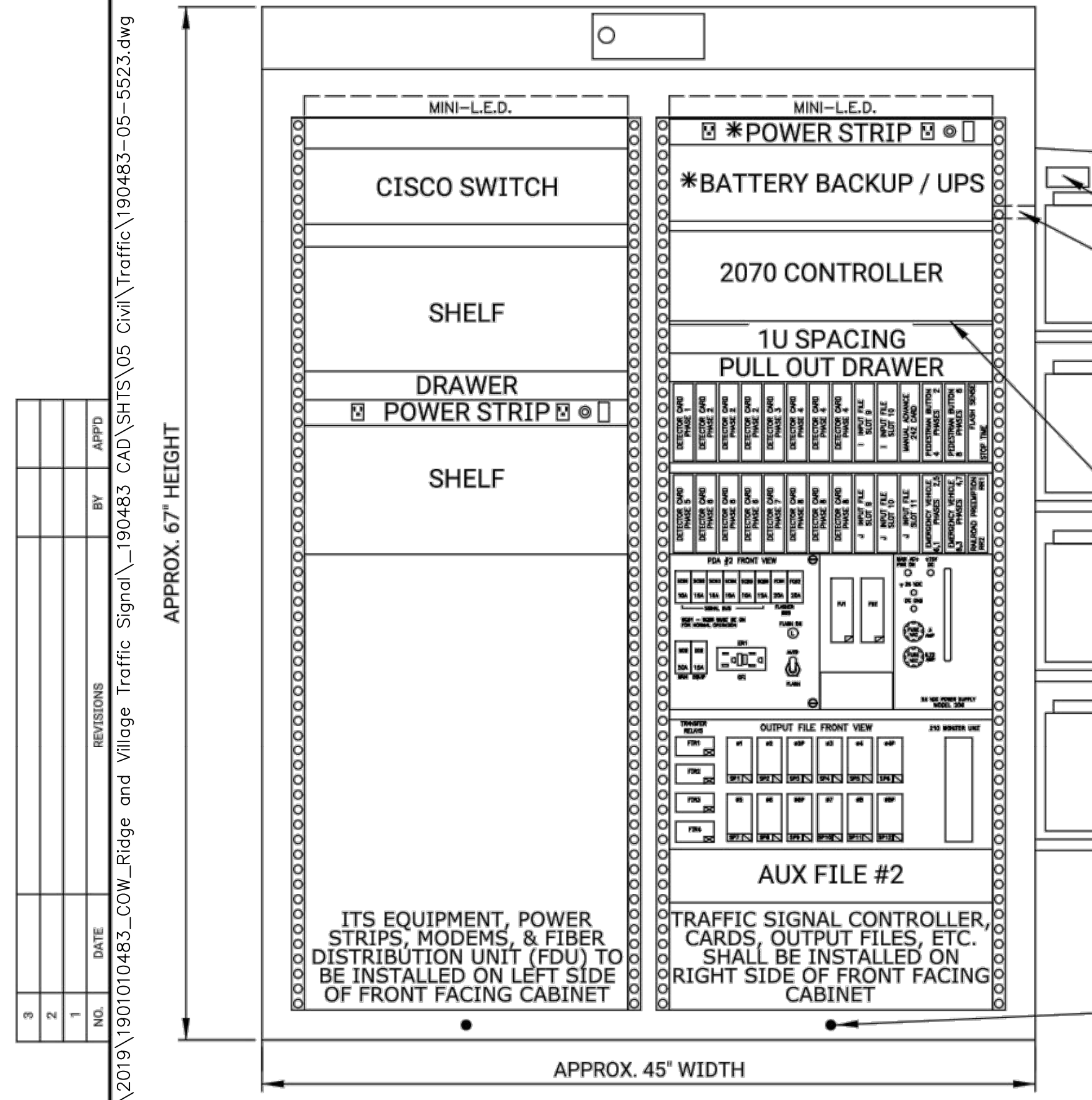
- CABINET FOUNDATION NOTES:**
- ALL REINFORCING BAR USED IN THE CONSTRUCTION OF THE CABINET FOUNDATION SHALL BE NO. 4 BARS, EVENLY SPACED AT 12 IN SPACING, +/- 1.5 IN.
 - REINFORCEMENT SHALL BE ADJUSTED TO ACCOMMODATE CONDUIT.
 - MINIMUM NO. 4 COPPER GROUNDING CONDUCTOR FROM CABINET EQUIPMENT GROUND BUS TO GROUND ROD.



TYPICAL TYPE 336L CABINET (POLE MOUNT)

Approximate 46" H x 24" W x 22" D
*Locate Power Strip on Backside of Cabinet

- NOTE:
- CABINET BASE DIMENSIONS MAY VARY DEPENDING ON MANUFACTURER. CONTRACTOR SHALL VERIFY DIMENSIONS AND ANCHOR BOLT LOCATIONS FROM MANUFACTURER PRIOR TO CONSTRUCTING BASE.
 - ALL CABINETS SHALL BE A MINIMUM OF 0.125" NATURAL ALUMINUM AND INCLUDE A 19" EIA RACK.
 - ALL CABINETS SHALL INCLUDE A TRACER WIRE CONNECTION AND ANODES. SEE SIGNAL STANDARDS FOR DETAILS.
 - SIGNAL CONTROLLER SHALL NOT BE MOUNTED DIRECTLY TO 19" EIA RACK BUT SHALL SIT ON SHELF/BRACKETS TO ALLOW EASY REMOVAL.
 - ALL CONDUITS SHALL BE SEALED WITH APPROVED MATERIAL. EMPTY CONDUITS SHALL CONTAIN PULL ROPE AND SEALED WITH MECHANICAL PLUG.
 - ANTENNA(S) IF USED, SHALL BE PLACED WITHIN THE CABINET IF SIGNAL QUALITY IS ADEQUATE AS DETERMINED BY THE ENGINEER THROUGH SIGNAL STRENGTH TESTING BY THE CONTRACTOR.
 - GROUND RODS TO BE POSITIONED AND SHOWN TO INSPECTOR BEFORE POURING BASE.
 - GROUND RODS FOR 342 CABINETS SHOULD BE 3/4" X 20'. TWO (2) 3/4" X 12' GROUND RODS MAY BE USED IN LIEU OF A SINGLE 20' GROUND ROD. ALL OTHER CABINET GROUND RODS SHALL BE 3/4" X 12'.

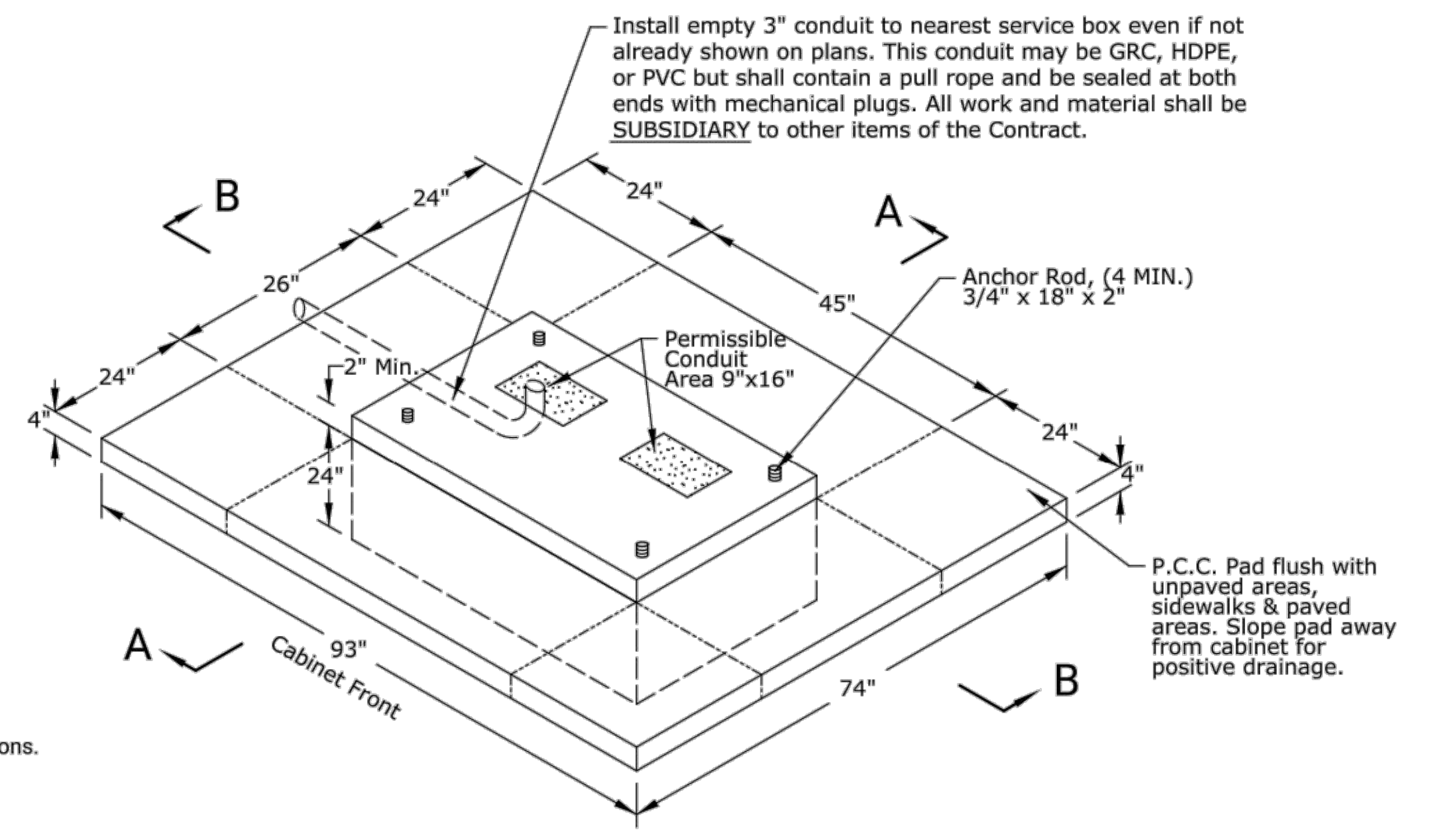


SECTION "A-A"

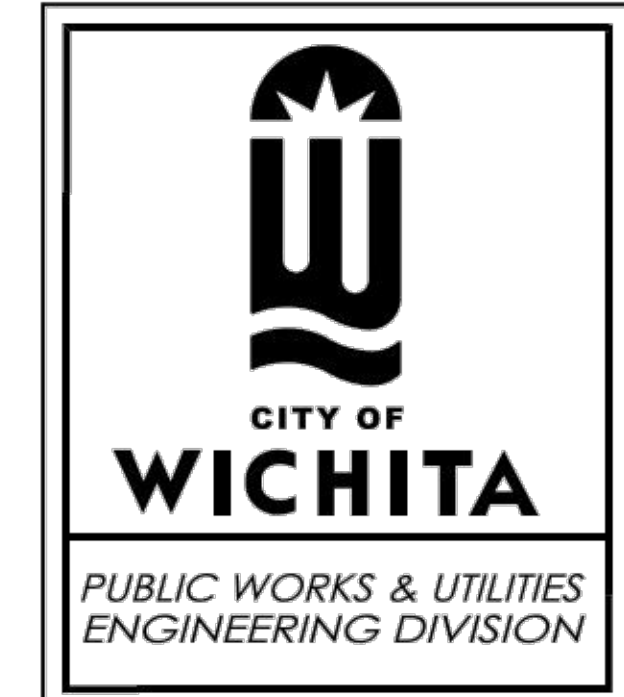
SECTION "B-B"

FOUNDATION ON SLOPE DETAIL

- Type 332L Cabinet = 24"
Type 342 Cabiner = 26"
 - Type 332L Cabinet = 30"
Type 342 Cabiner = 45"
- All reinforcing bar shall be No. 4 bars, evenly spaced at 12" spacing, +/- 1.5".
 - Additional concrete, material, and labor required for cabinet foundation on slope shall be **SUBSIDIARY** to other items of the contract.



NO.	DATE	BY	APP'D
3			
2			
1			



2070 SIGNAL CABINET & PAD DETAILS		
PROJECT NUMBER	ORG NUMBER	DATE
472-2021-085741	E1070	8/8/2022
TRAFFIC ENGINEER APP'D 01/27/22		
MIKE ARMOUR, P.E.		
SHEET		
13 OF 31		
TR-106		