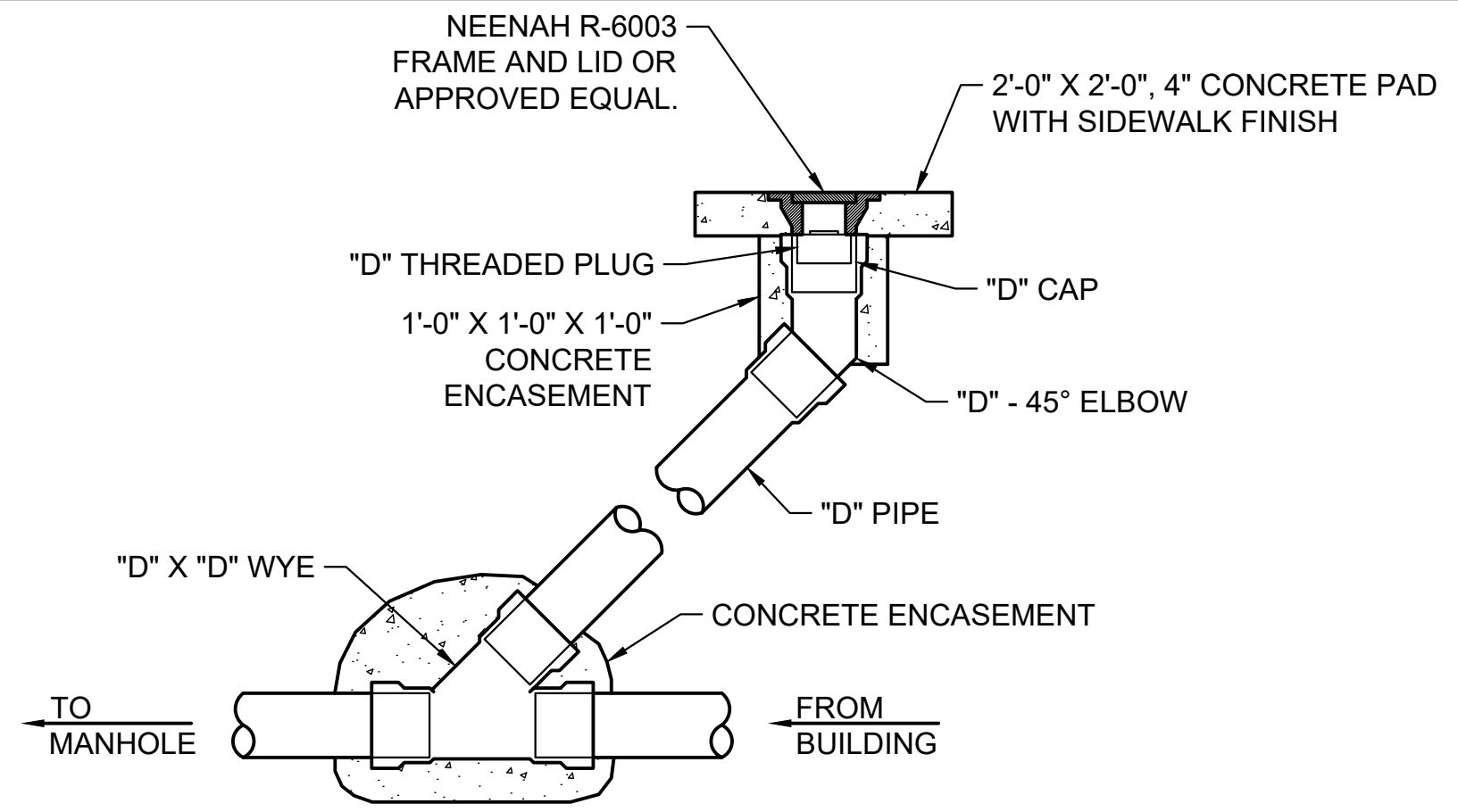


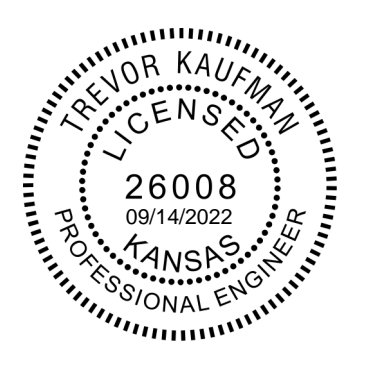
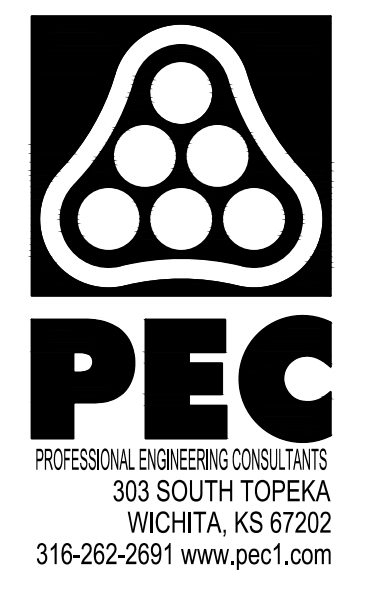
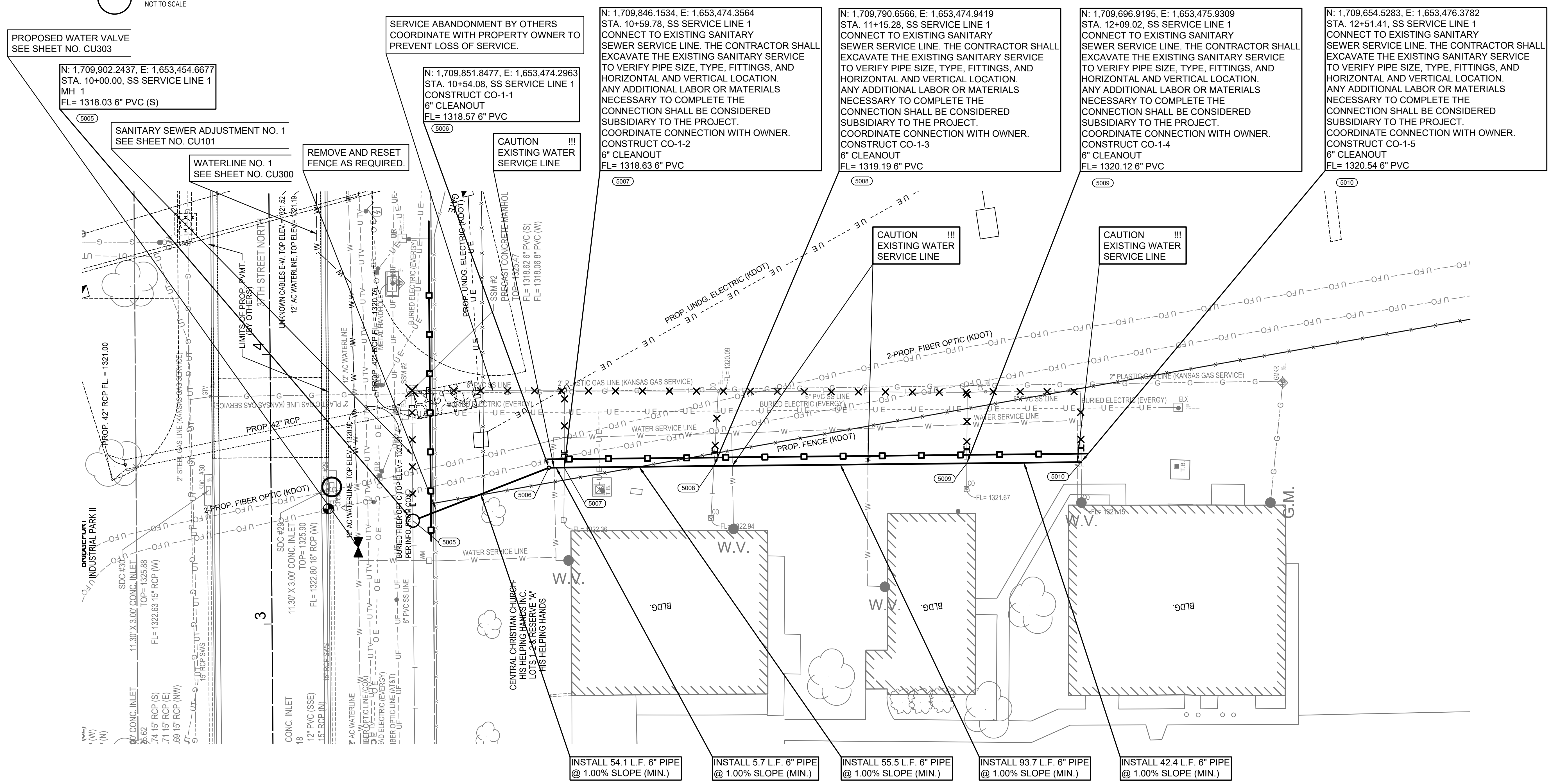
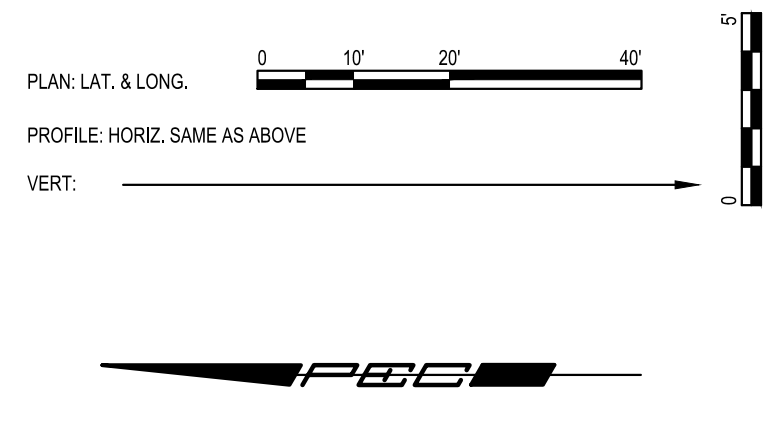
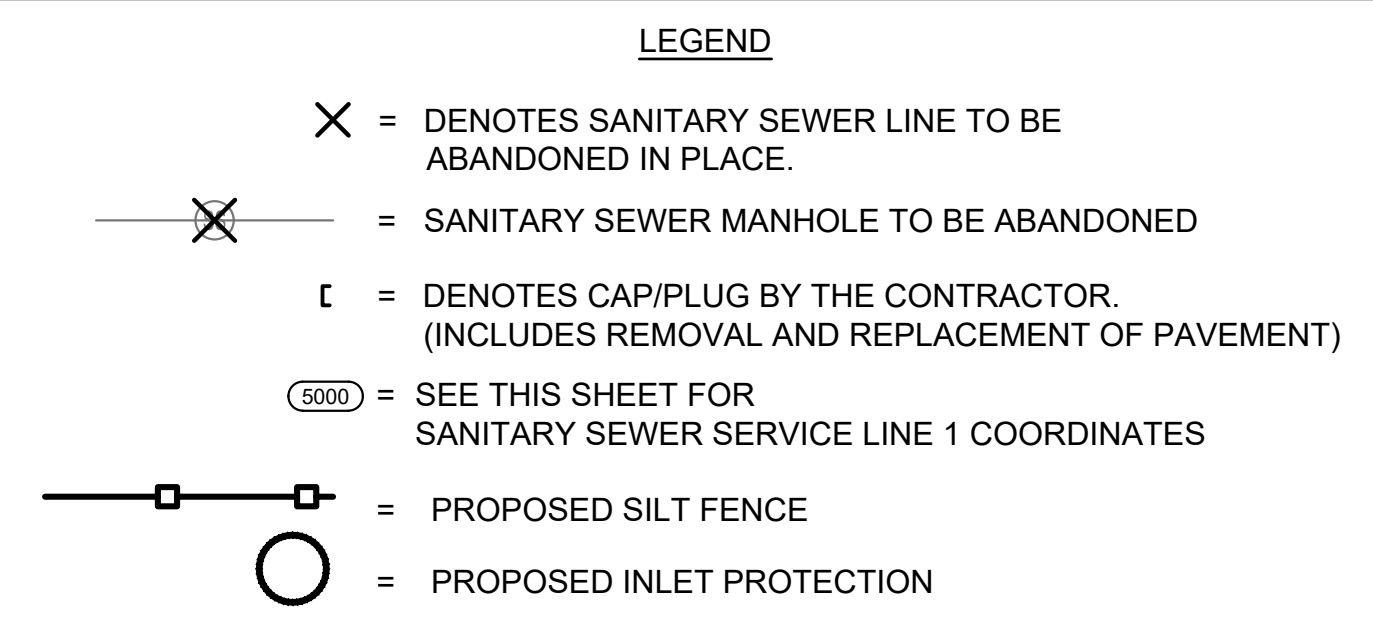
SAVED 9/14/2022 9:45:02 AM BY KURTIS DEKAT
 PLOTTED 9/14/2022 9:51:57 AM BY KURTIS DEKAT
 U:\WICHITA-CIVIL\2021\12-10253\000\MIDDRAWINGS\210253-000-CU104.DWG



NOTE: "D" = DIAMETER OF PIPE PER PLANS
CLEANOUT DETAIL
 NOT TO SCALE

SANITARY SEWER SERVICE LINE NO. 1				
COORDINATE LIST				
POINT	NORTHING	EASTING	STATION	DESCRIPTION
5005	1,709,902.2437	1,653,454.6677	10+00.00	PROP. SS MH
5006	1,709,851.8477	1,653,474.2963	10+54.08	PROP. CLEANOUT
5007	1,709,846.1534	1,653,474.3564	10+59.78	SERVICE CONNECTION
5008	1,709,790.6566	1,653,474.9419	11+15.28	SERVICE CONNECTION
5009	1,709,696.9195	1,653,475.9309	12+09.02	SERVICE CONNECTION
5010	1,709,654.5283	1,653,476.3782	12+51.41	SERVICE CONNECTION

(5000) = COORDINATE POINT NO.



SANITARY SEWER AND WATERLINE IMPROVEMENTS
 TO SERVE
NORTH JUNCTION UTILITY RELOCATION
 GARY JANZEN, P.E. - CITY ENGINEER
 SS: CITY OF WICHITA PROJ. NO. 468-2021-002929
 WL: CITY OF WICHITA PROJ. NO. 448-2021-034139

Issue:	
JOB NO.	35-210253-000-0042
DATE	01 JUNE 2021
PM	TBK
DESIGNED BY	TBK
DRAWN BY	KTD
CHECKED BY	RWG
SANITARY SEWER SERVICE LINE NO. 1	

CU104