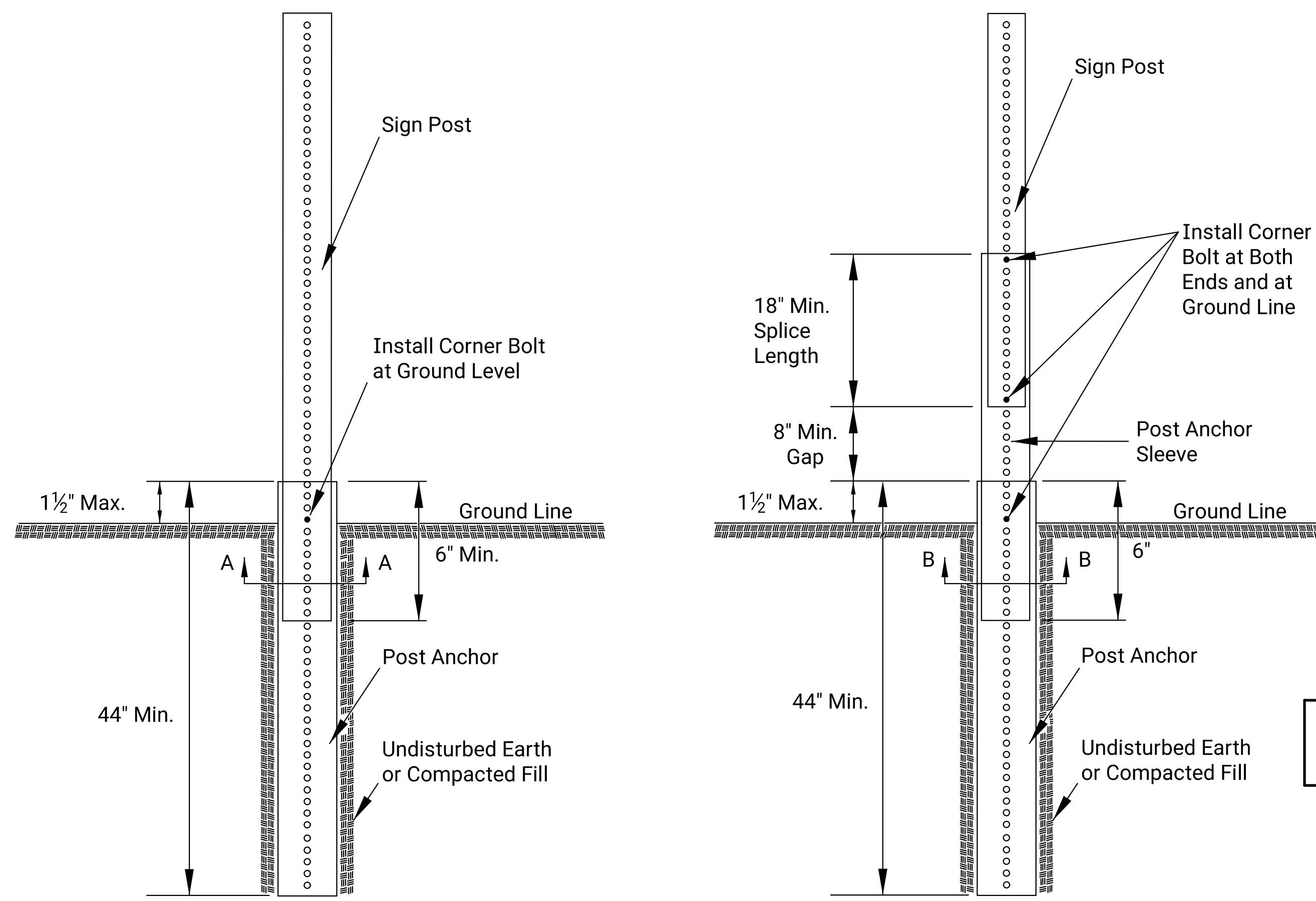


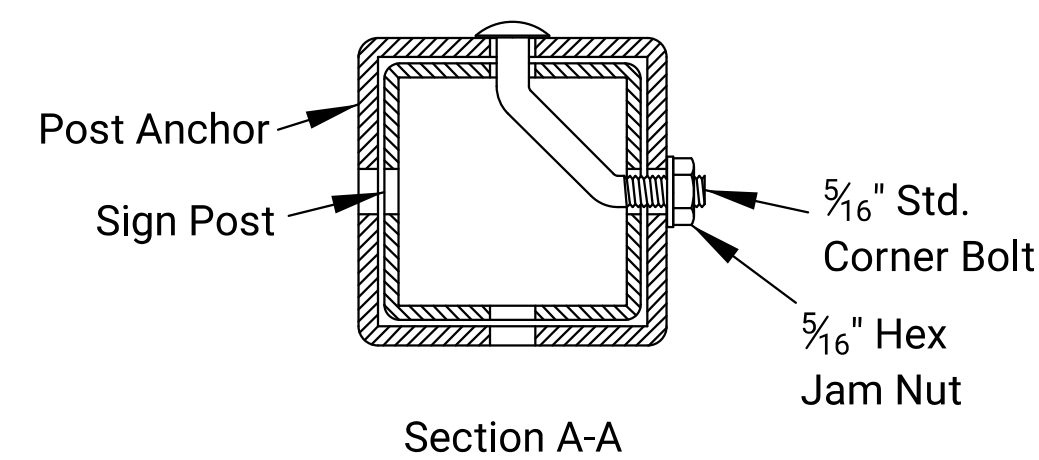
STATE	PROJECT NO.	YEAR	SHEET NO.	TOTAL SHEETS
KANSAS	448-2021-039949	2022	13	14

### PERFORATED SQUARE STEEL TUBE (P.S.S.T.) POST SETUP

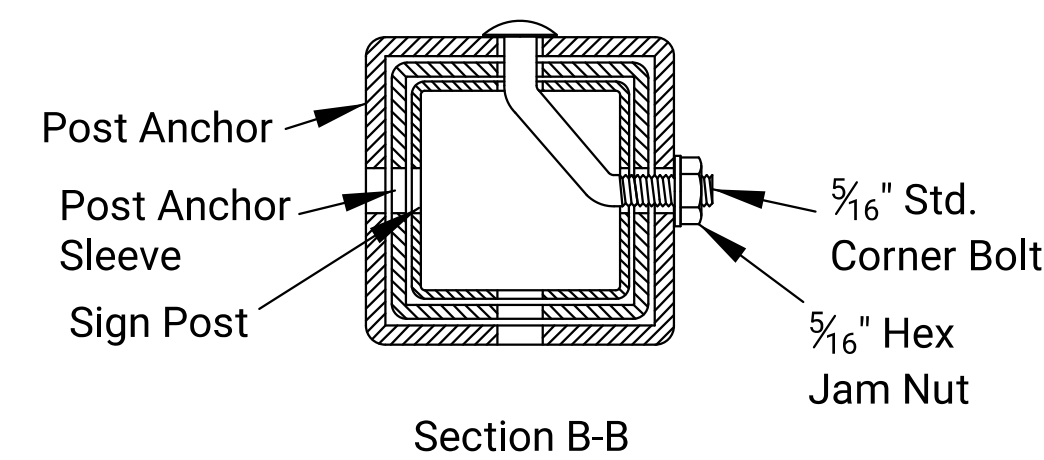


P.S.S.T. Detail

Telescoping P.S.S.T. Detail



Section A-A

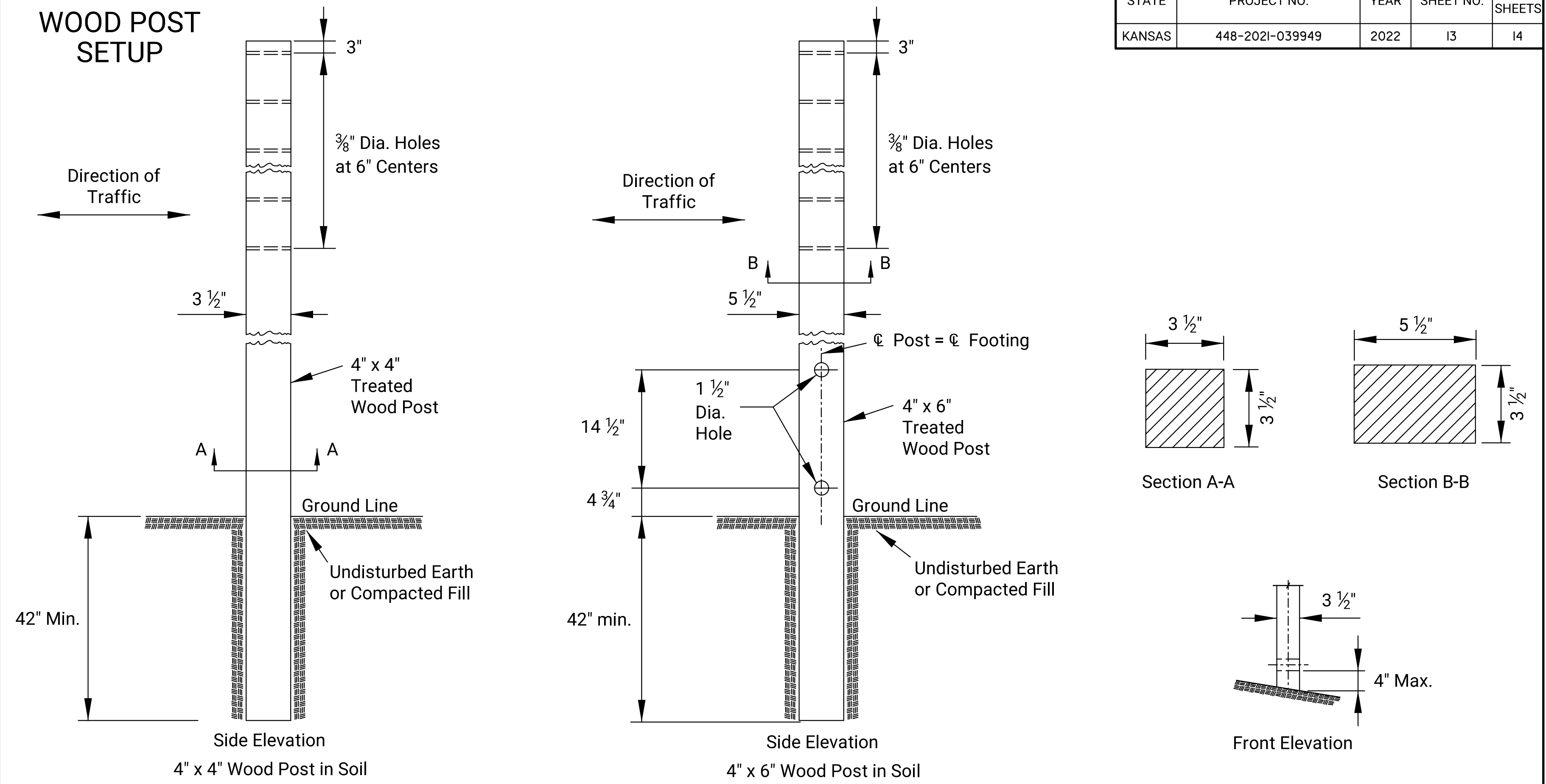


Section B-B

Details for 2", 2 1/4", or 2 1/2" sign posts

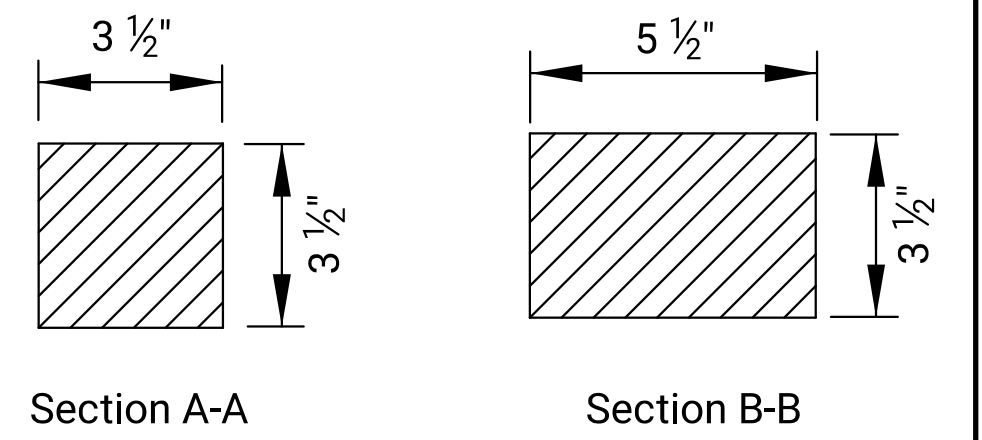
Place bolts in the same corner along each sign post.

### WOOD POST SETUP



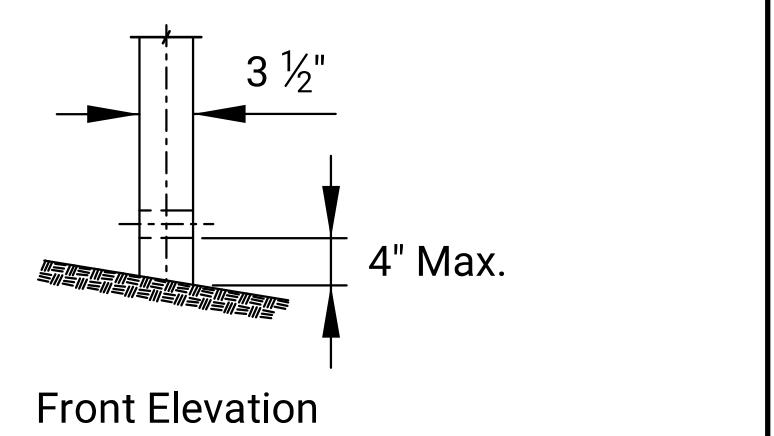
Side Elevation  
4" x 4" Wood Post in Soil

Side Elevation  
4" x 6" Wood Post in Soil



Section A-A

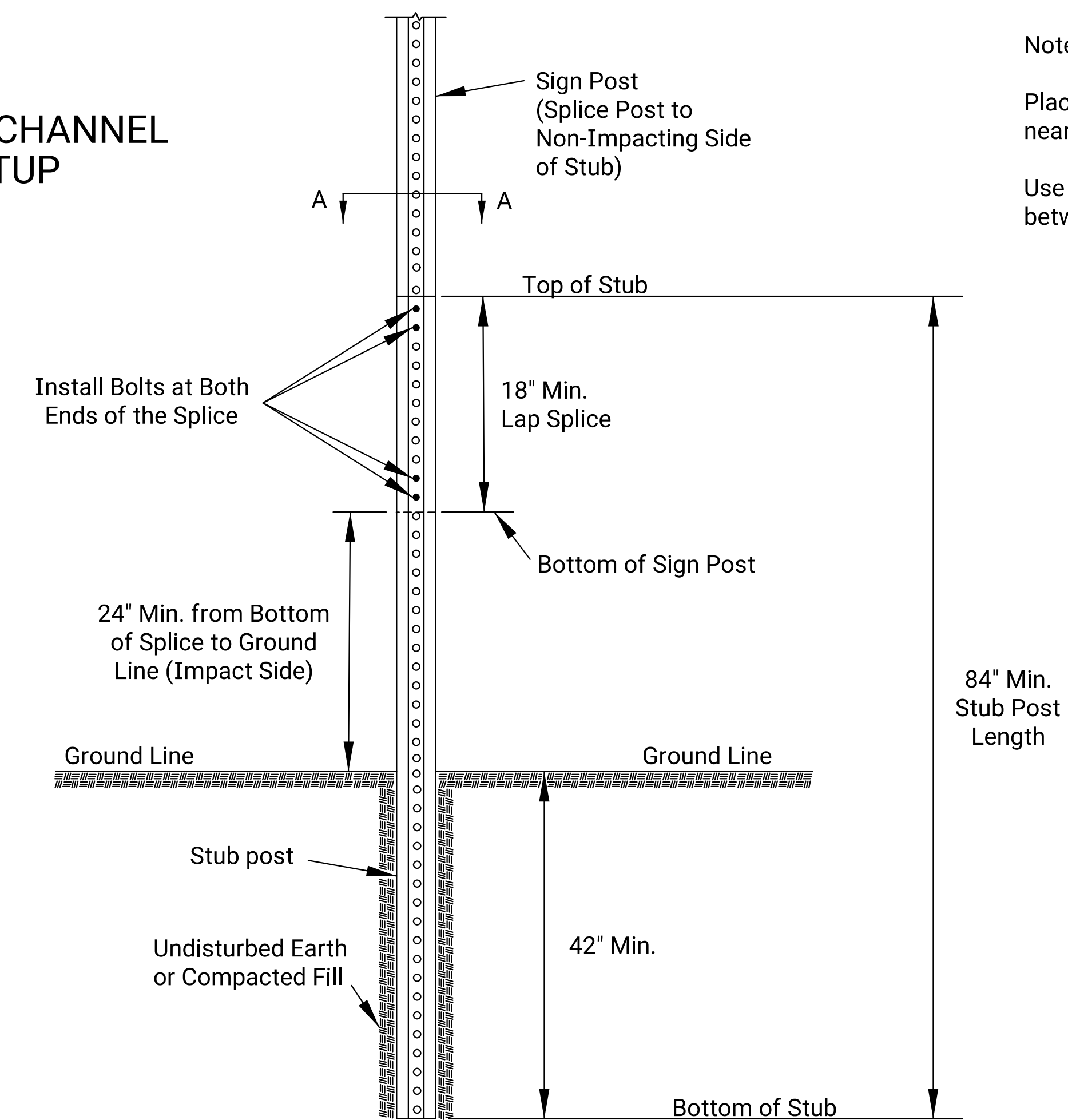
Section B-B



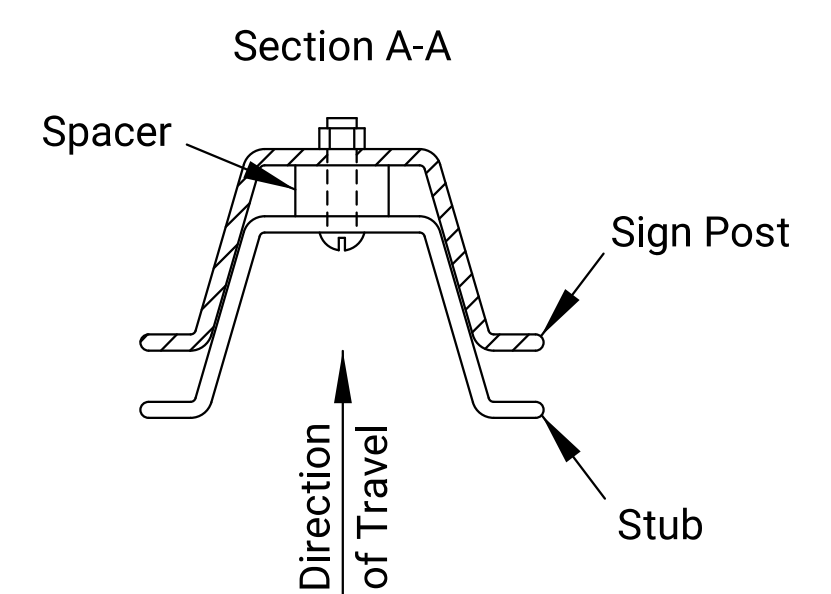
Front Elevation

See TE710 for Additional Details and Requirements

### 3 LB/F U-CHANNEL SETUP



Notes:  
Place two bolts at both ends of the splice through the holes nearest the ends of the splice.  
Use manufacturer recommended spacers over the bolts between the spliced pieces of U-Channel.



Section A-A

NO.	DATE	REVISIONS	BY	APPD
KANSAS DEPARTMENT OF TRANSPORTATION				
<b>TRAFFIC CONTROL SIGN POSTS</b>				
TE712				
DESIGNED	B.A.H.	06-01-15	APPD.	Kristina Erickson
DESIGN CK.	DETAIL CK.	R.W.B.	QUANTITIES	TRACED
			QUAN. CK.	TRACE CK.