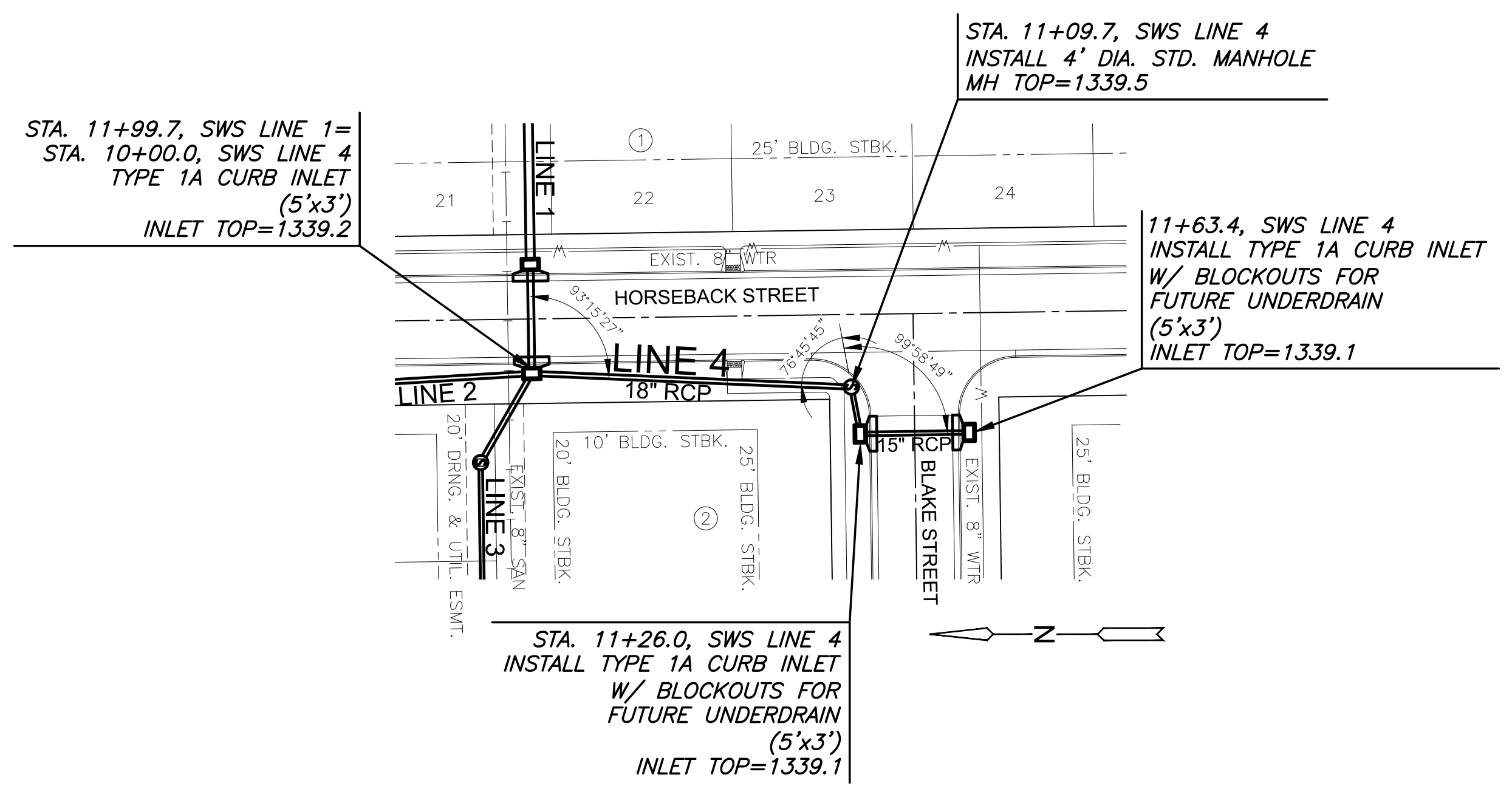
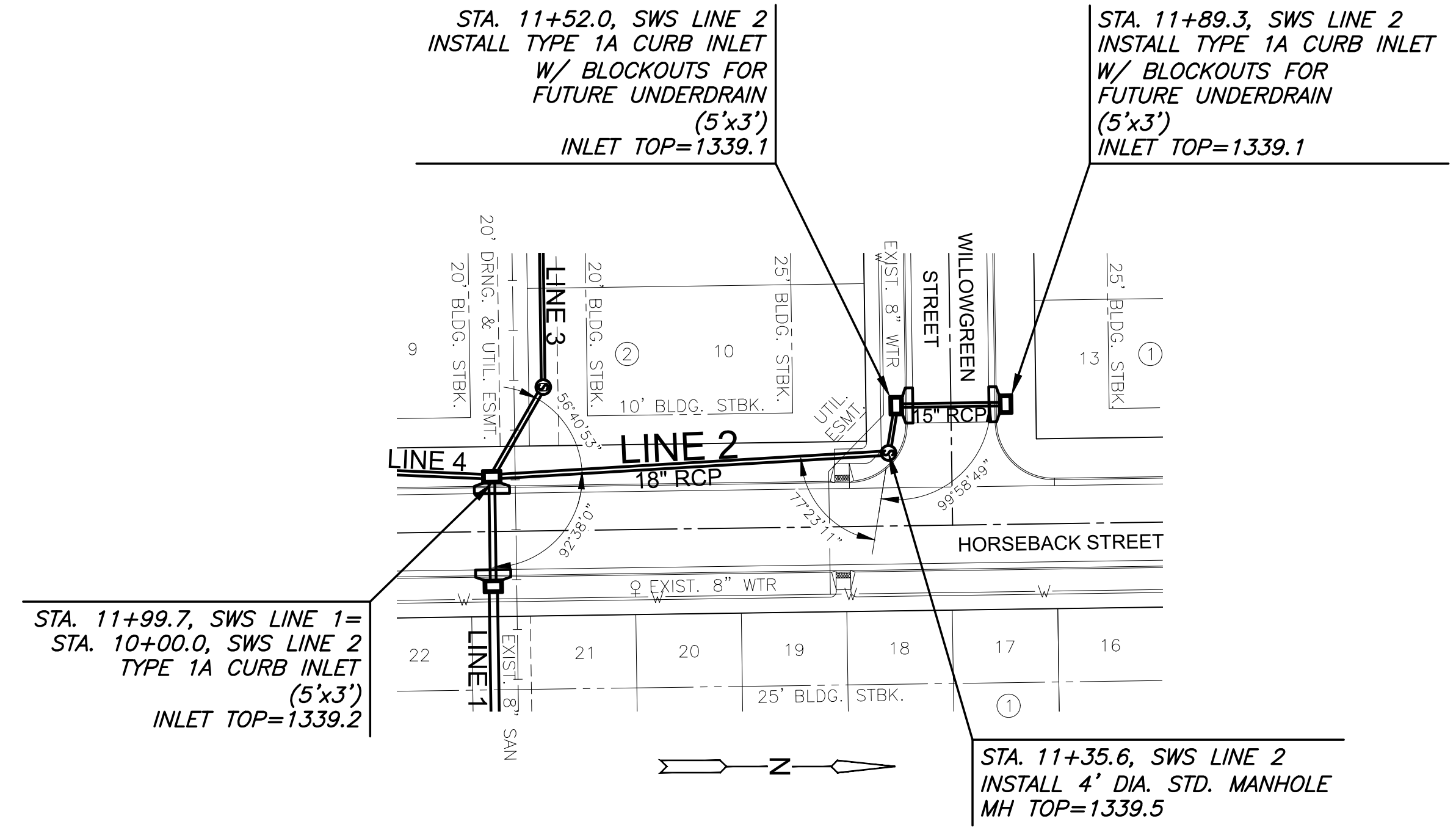
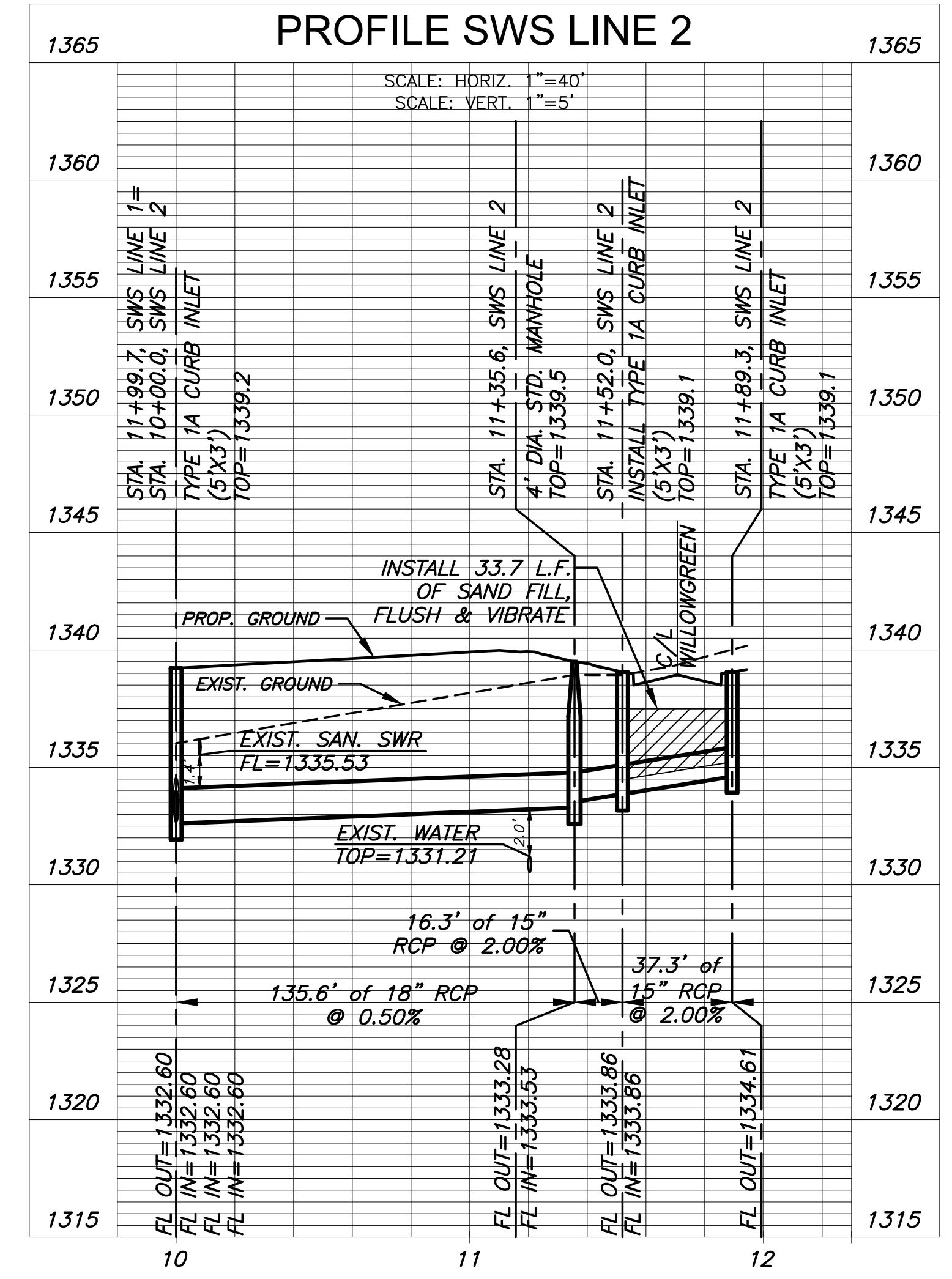


PLOTTED: Thursday, January 12, 2023 @ 08:32AM

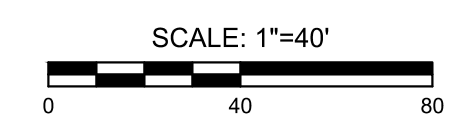
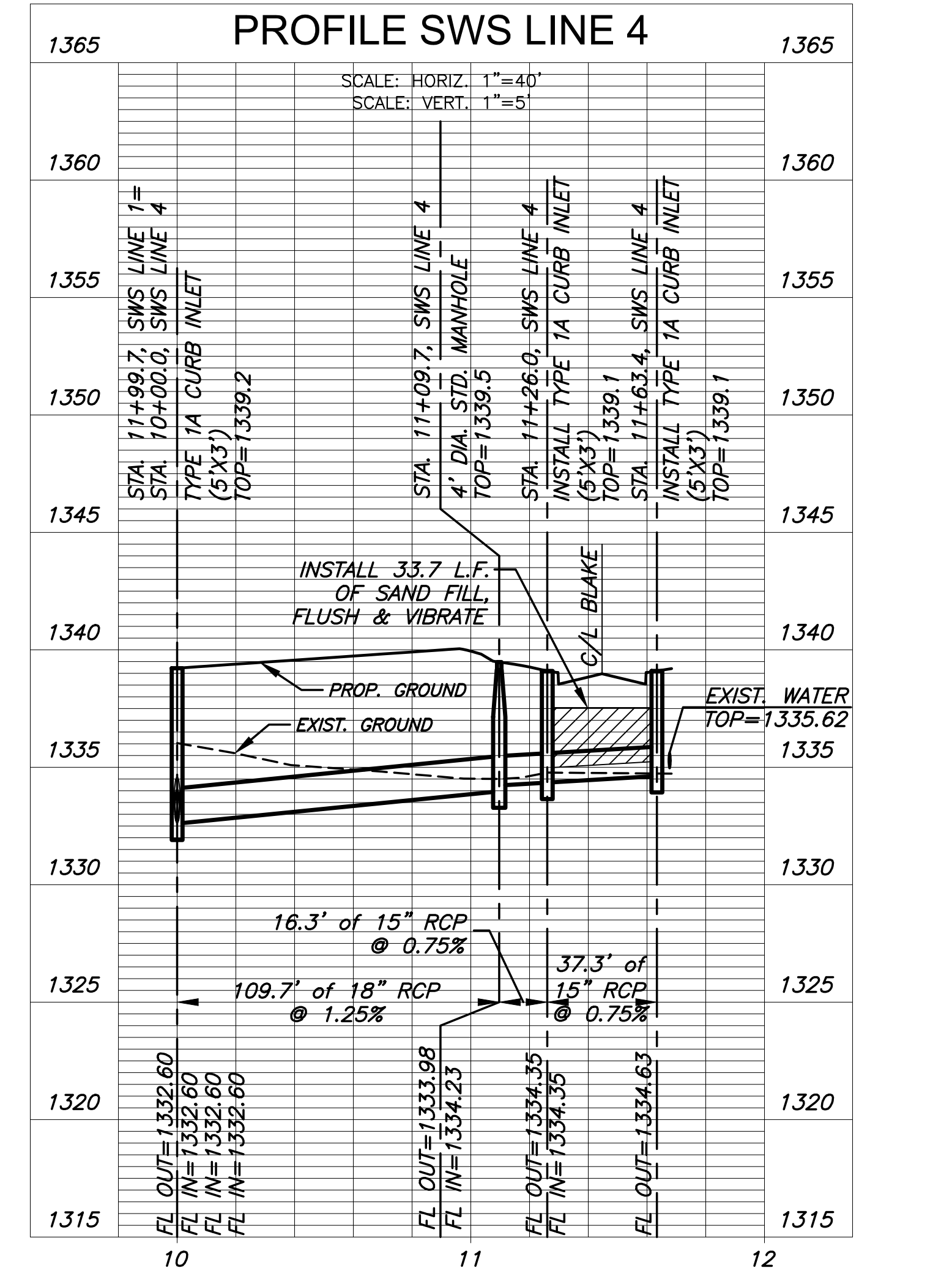
J:\PROJECTS\2022\010706_SCHROEDER_127TH AND PAWNEE\00_20706_CADD\SHS\05_CIVIL\SW_SWS_LINES 2 & 4.DWG



PLAN SWS LINE 2
PROFILE SWS LINE 2



PLAN SWS LINE 4
PROFILE SWS LINE 4



NOTE:
CONTRACTOR TO VERIFY THE
DEPTH AND LOCATION OF EXISTING
UTILITIES PRIOR TO CONSTRUCTION.



STORMWATER SEWER PLANS FOR

BUFFALO GROVE ADDITION

WICHITA, KANSAS

©2022 MKEC Engineering All Rights Reserved
These drawings and their contents, including, but not limited to, all concepts, designs, & ideas are the exclusive property of MKEC Engineering (MKEC), and may not be used or reproduced in any way without the express consent of MKEC.

SWS LINES 2 & 4

PROJECT NO.	458-2022-085513
DATE	JAN 2023
SCALE	1" = 40'
DESIGNED	KPG
DRAWN	MKEC
CHECKED	KPG

NO.	REVISION	DATE
SHEET NO. 08 OF 16		