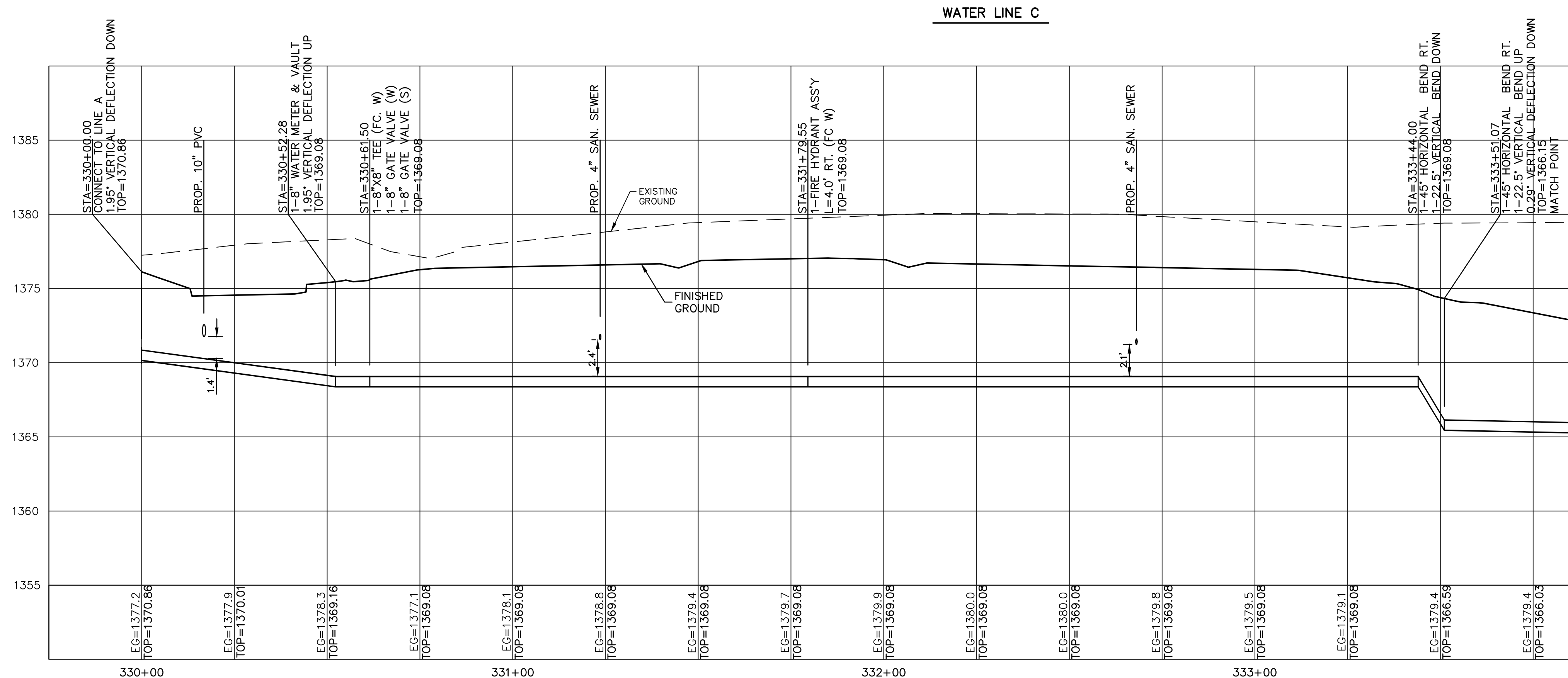
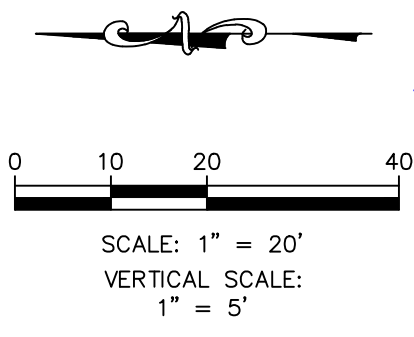


Built As Per Plans; Location: From Datum: Centerline 21st St. & 143rd ST.. 519.5 ft. S./197.5 ft. W to 8" gate valve WL-C sta.



THIS PLAN SHEET IS PART OF AN OVERALL KAW VALLEY ENGINEERING PLAN SET FOR THE SPECIFIC IMPROVEMENTS CONTEMPLATED HEREIN. AS SUCH, THE INFORMATION REFLECTED HEREIN SHOULD ONLY BE INTERPRETED WITHIN THE CONTEXT OF THE COMPLETE PLAN SET.

10	4-25-22	ADD VALVE ON WL C	EAM	SRB	CHK
3	4-5-22	REV. WATER LINE B	EAM	CHK	CHK
2	12-09-21	REVISED BENCHMARKS	EAM	SRB	CHK
1	11-01-21	FOR FINAL	EAM	SRB	CHK
0	8-9-21	CITY REVIEW	EAM	JML	SRB
	REV DATE	DESCRIPTION	DSN	DWN	CHK

SHAWN R. BRYAN  
ENGINEER  
KS # 17899

200 N. EMPORIA, SUITE 100  
WICHITA, KANSAS 67202-4400-4309  
PH: (316) 261-1111  
www.kaveg.com  
info@kaveg.com

**KAW VALLEY ENGINEERING**

KAW VALLEY ENGINEERING, INC. IS AUTHORIZED TO OFFER ENGINEERING SERVICES IN KANSAS STATE CERTIFICATE OF AUTHORIZATION # E-113. EXPIRES 12/31/22

<b>THE RUSHWOOD</b>	
143RD ST. E. AND 21ST ST. N.	
WICHITA, KANSAS	
<b>WATER LINE IMPROVEMENT PLANS</b>	
<b>WATER LINE C - PLAN AND PROFILE</b>	
PROJ. NO.	G20-1494-1
DESIGNER	SRB
DRAWN BY	JML
CFN	1494-1WPP
SHEET	06
REV	10