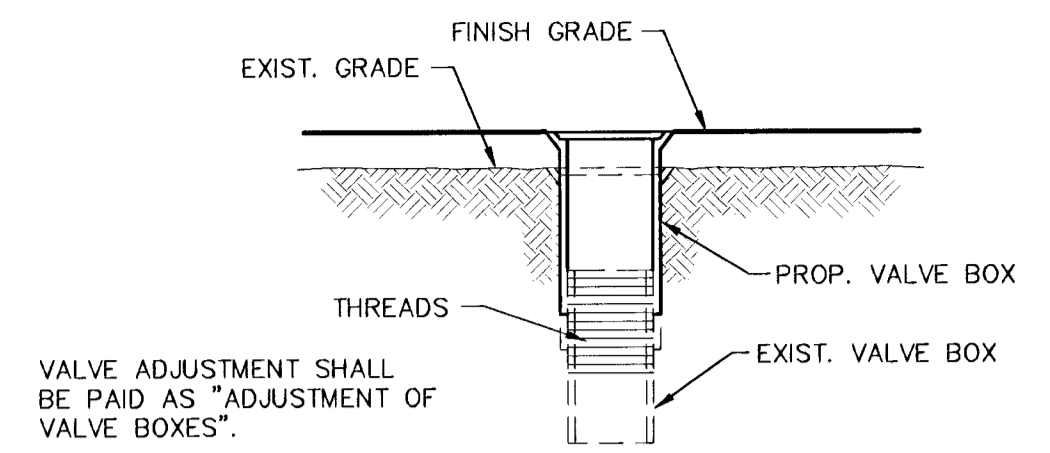
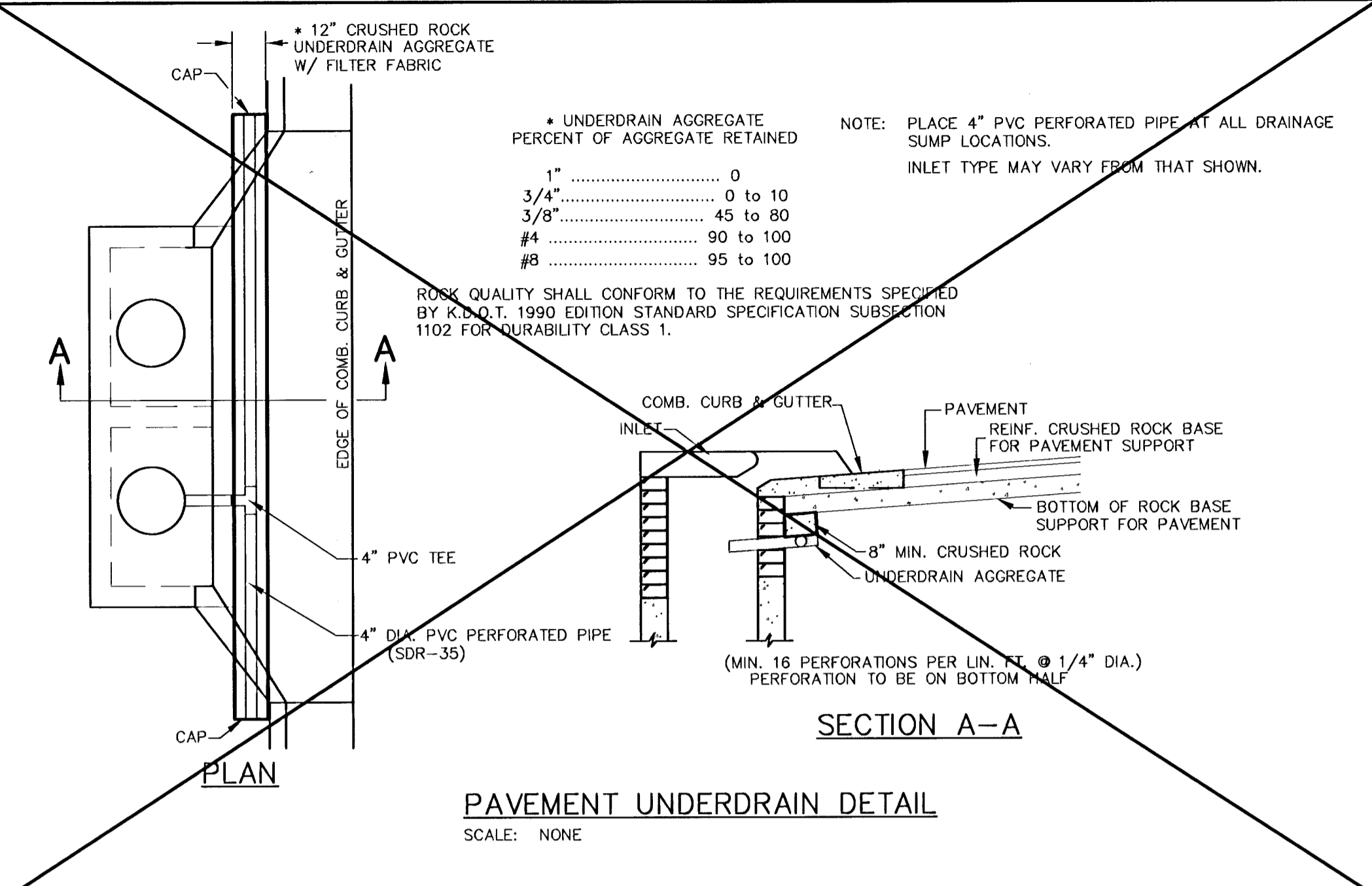


FHWA REGION NO.	STATE	PROJECT NO.	YEAR	SHEET NO.	TOTAL SHEETS
7	KS.	87N 0064-01	1997	53	130



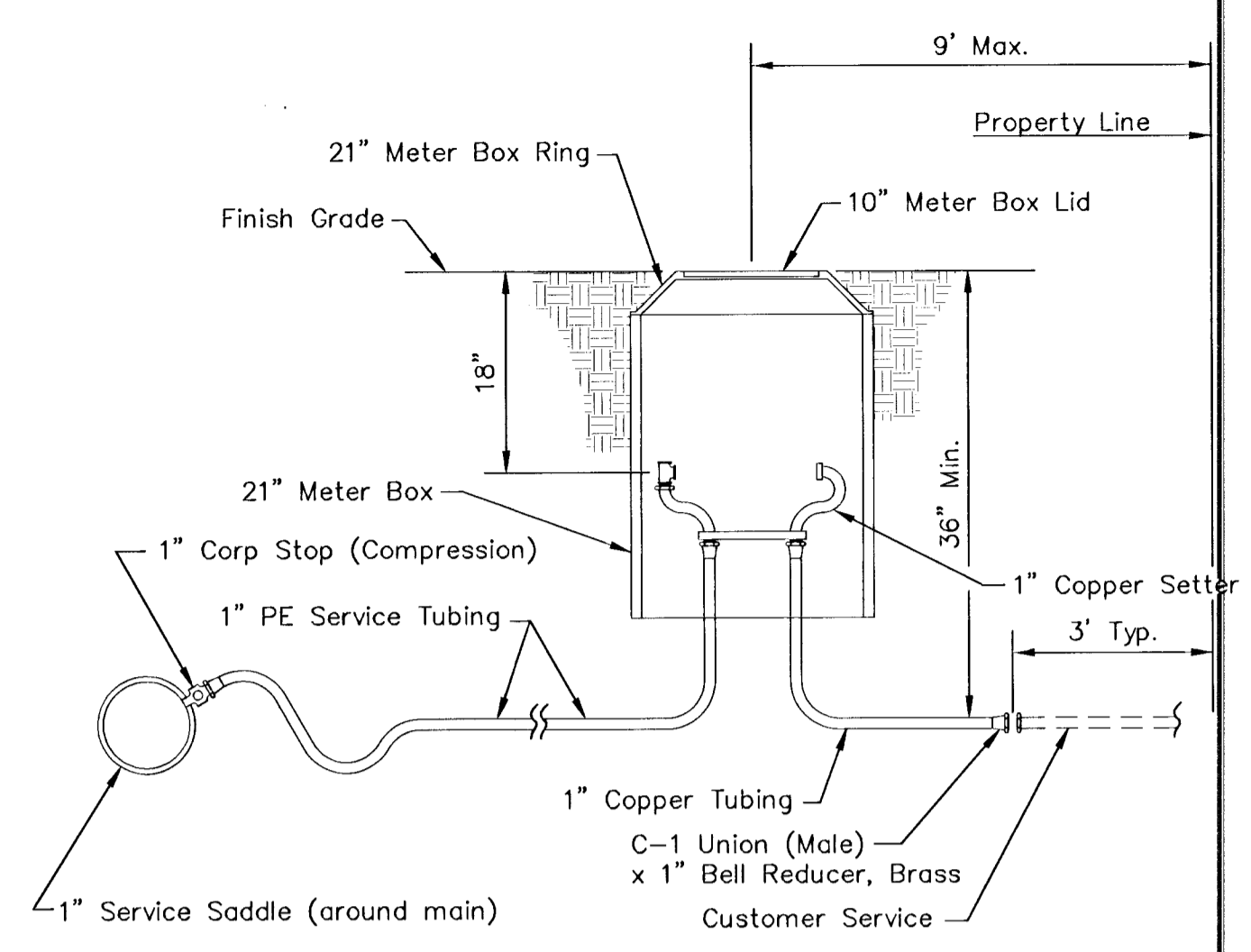
VALVE BOX ADJUSTMENT DETAIL

SEE SHIT. 54 FOR LOCATION OF VALVE BOXES TO BE ADJUSTED.
(KG&E-GAS WILL SUPPLY MATERIALS AS REQUIRED FOR ALL GAS VALVE BOX ADJUSTMENTS.)



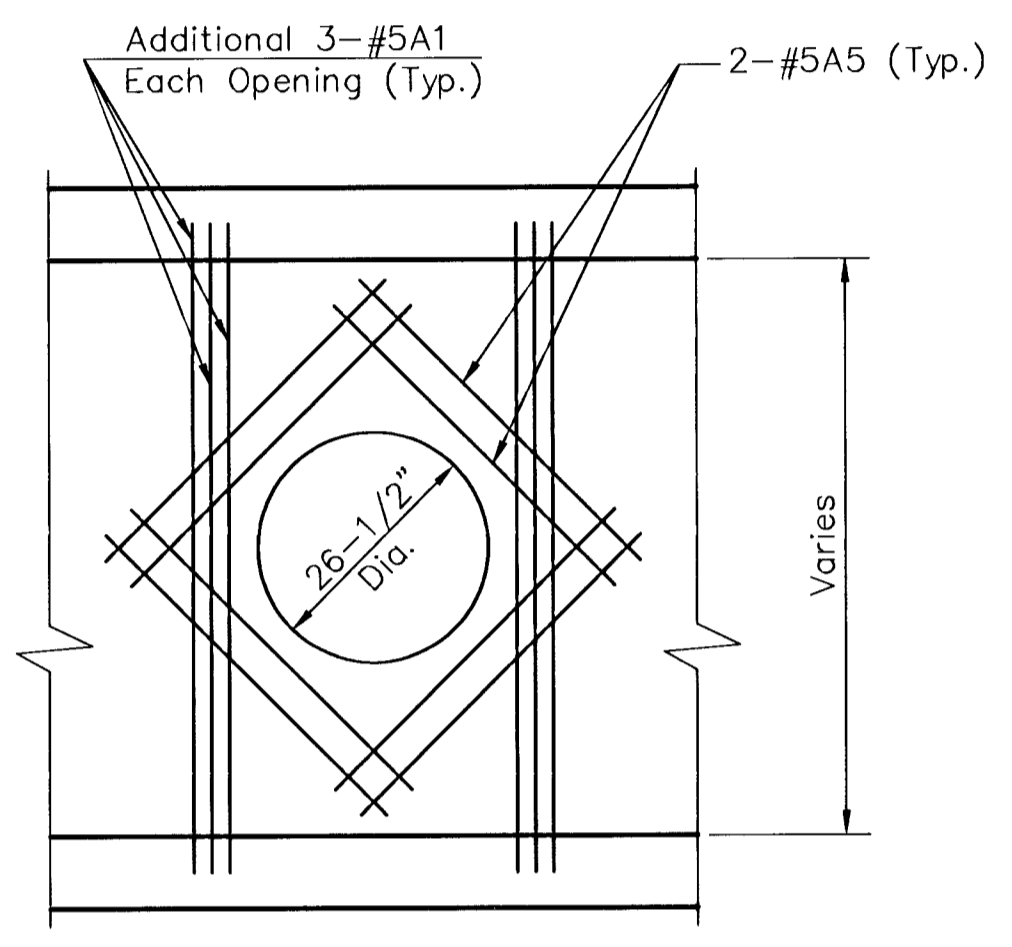
PAVEMENT UNDERDRAIN DETAIL

SCALE: NONE

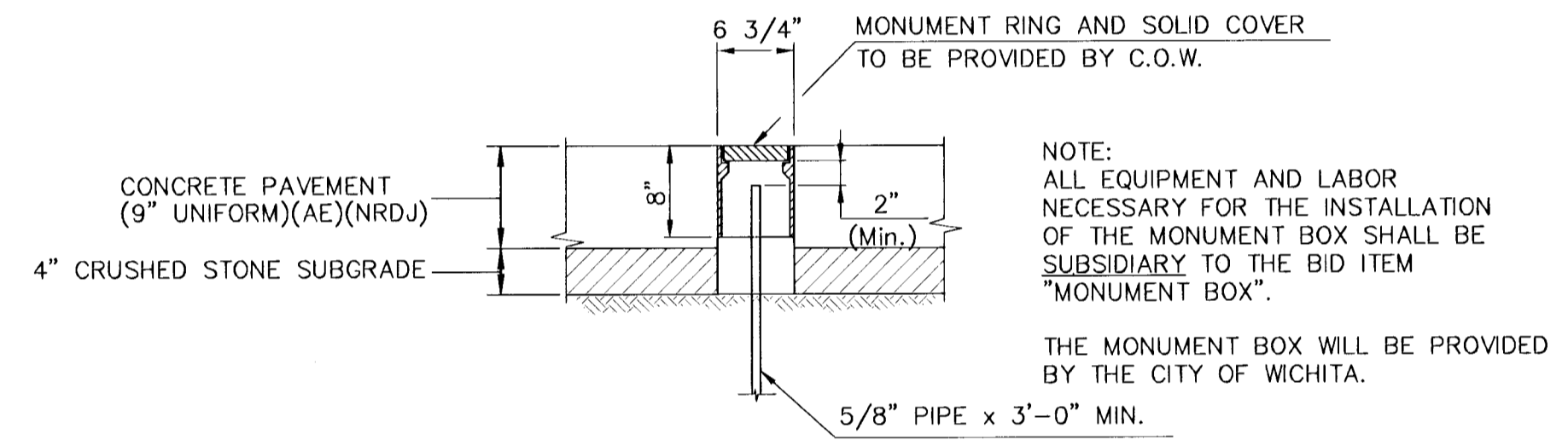


TYPICAL METER SETTING

Bore hole under paving shall be a maximum of 2" in Diameter and a minimum of 36" below top of paving.

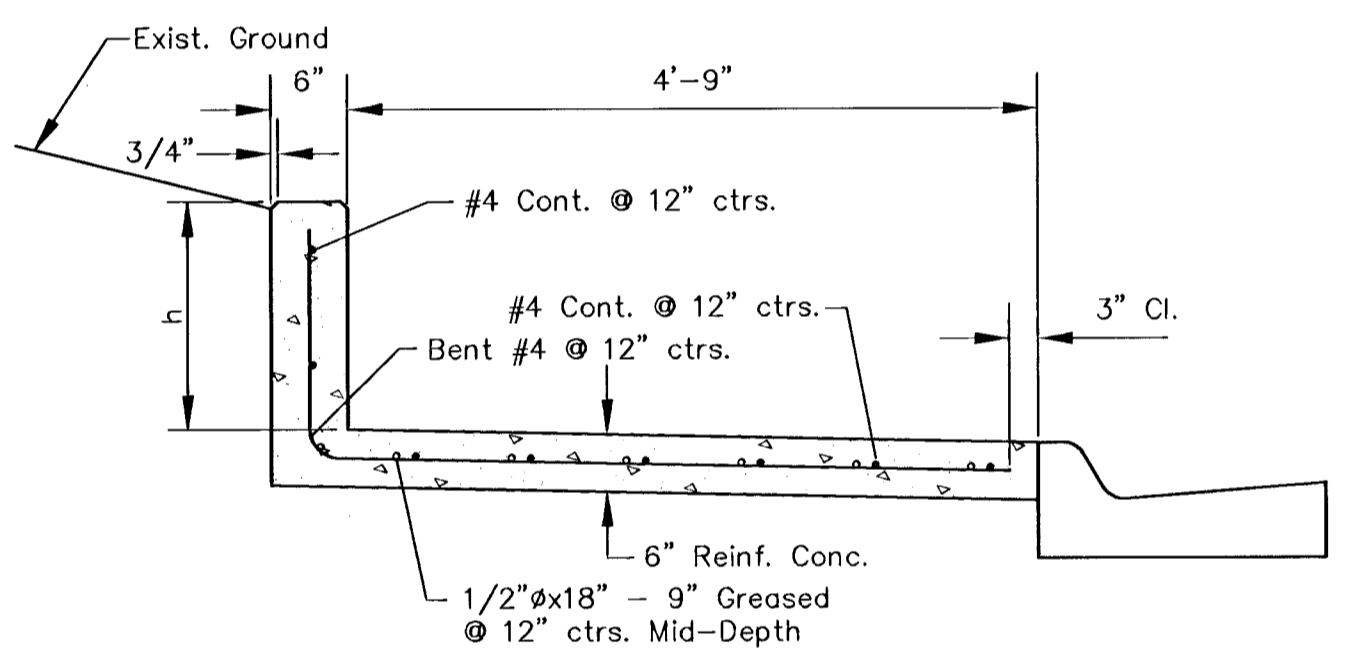


RCB BLOCK OUT DETAIL FOR STACKED MANHOLE



MONUMENT BOX DETAIL

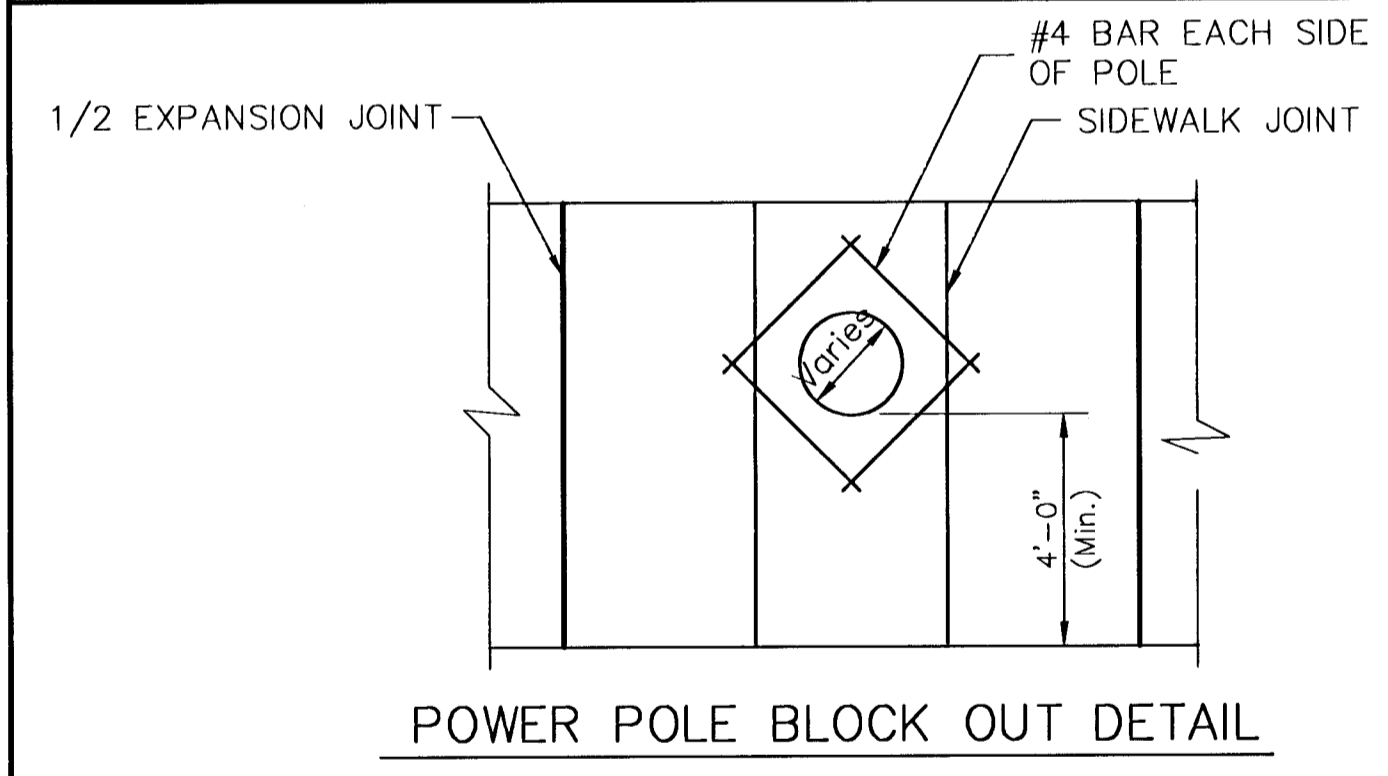
NOTE: ALL EQUIPMENT AND LABOR NECESSARY FOR THE INSTALLATION OF THE MONUMENT BOX SHALL BE SUBSIDIARY TO THE BID ITEM "MONUMENT BOX".
THE MONUMENT BOX WILL BE PROVIDED BY THE CITY OF WICHITA.



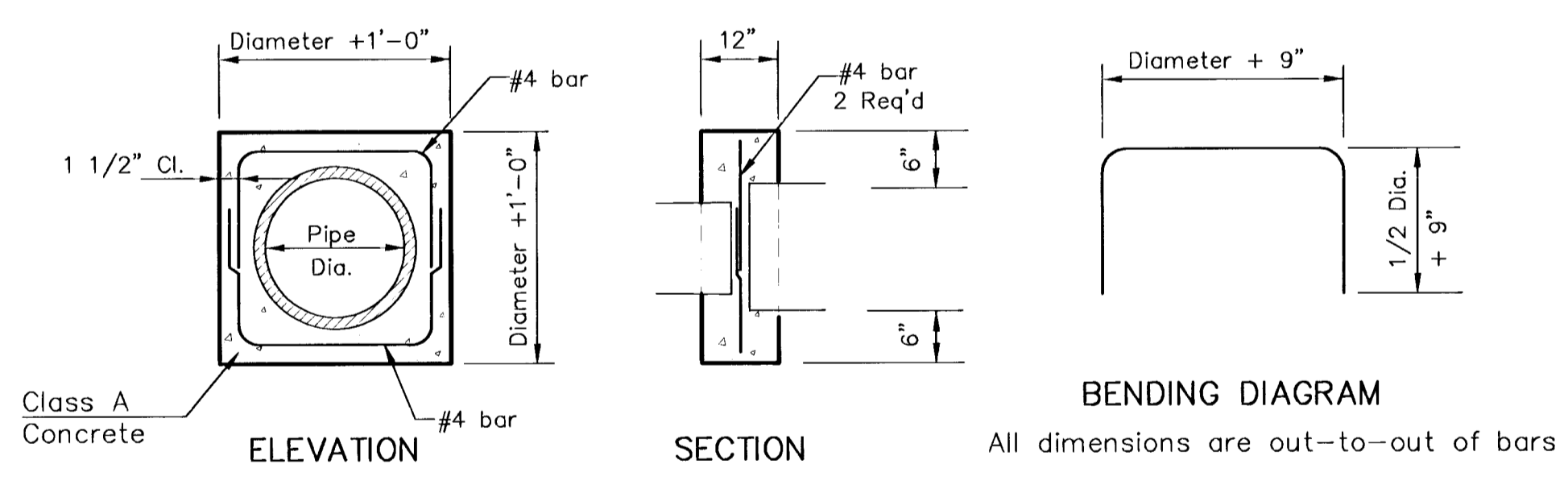
SPECIAL SIDEWALK DETAILS

Note: Reinforcement placed on bar supports as recommended by C.R.S.I. Manual of Standard Practices.

Note: Reinforcement not required when h is 1'-0" or less. Special Sidewalk shall be paid as "Sidewalk Construction (6") (AE) (Special).

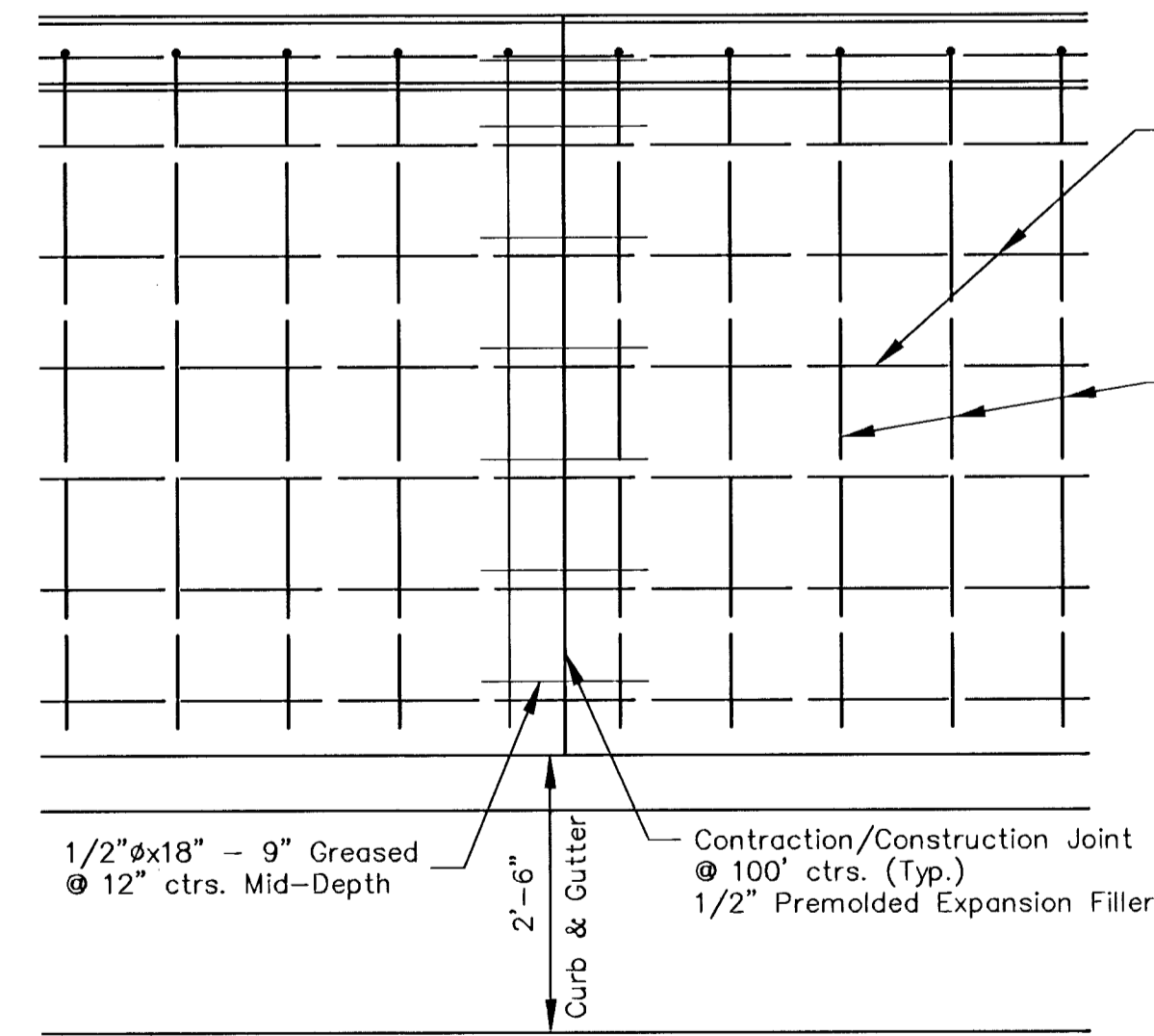


POWER POLE BLOCK OUT DETAIL



CONCRETE COLLAR DETAIL

Note: Collar shall be Subsidiary to Pipe Installation.



TYPICAL CONSTRUCTION JOINT WALK & WALL

KANSAS DEPARTMENT OF TRANSPORTATION
SOUTH SENECA STREET
SPECIAL DETAILS
PROJECT NO. 87N 0064-01 SEDGWICK CO.
MID-KANSAS ENGINEERING CONSULTANTS, INC.
WICHITA, KANSAS

DESIGNED BY:	CHECKED BY:
DRAWN BY:	DATE: 8/96