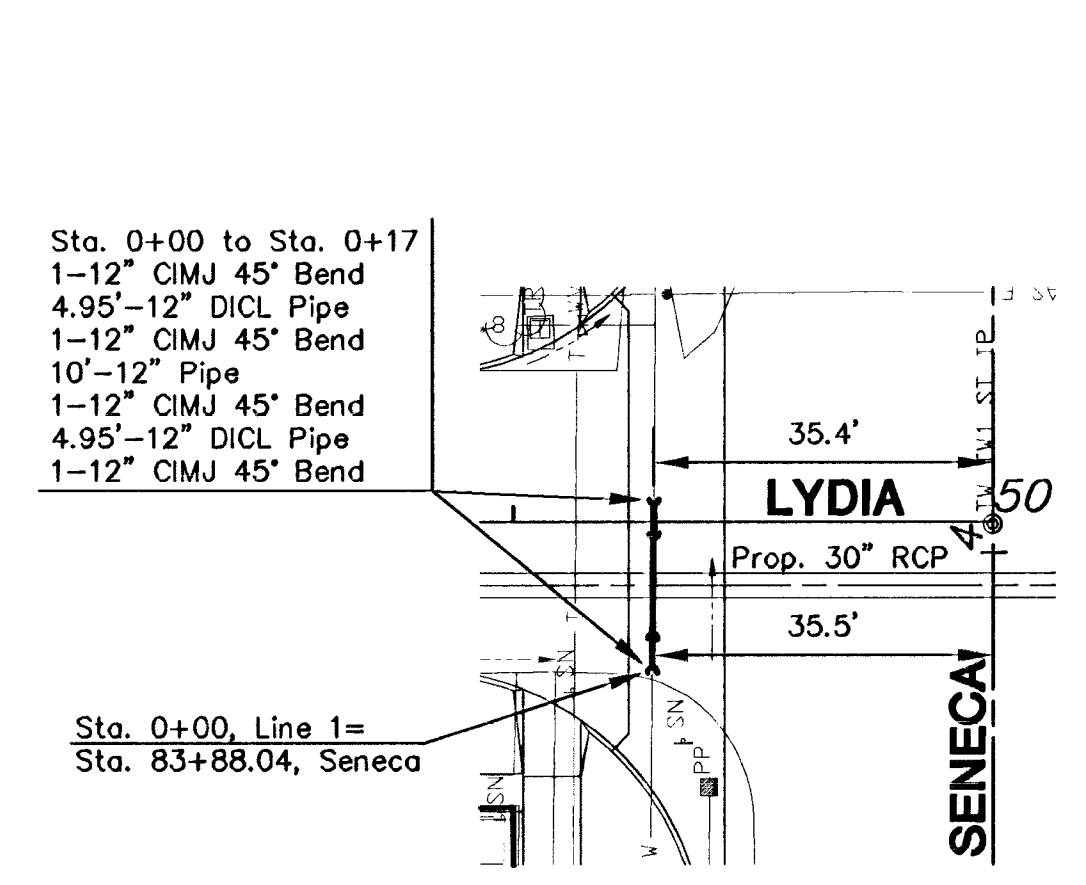
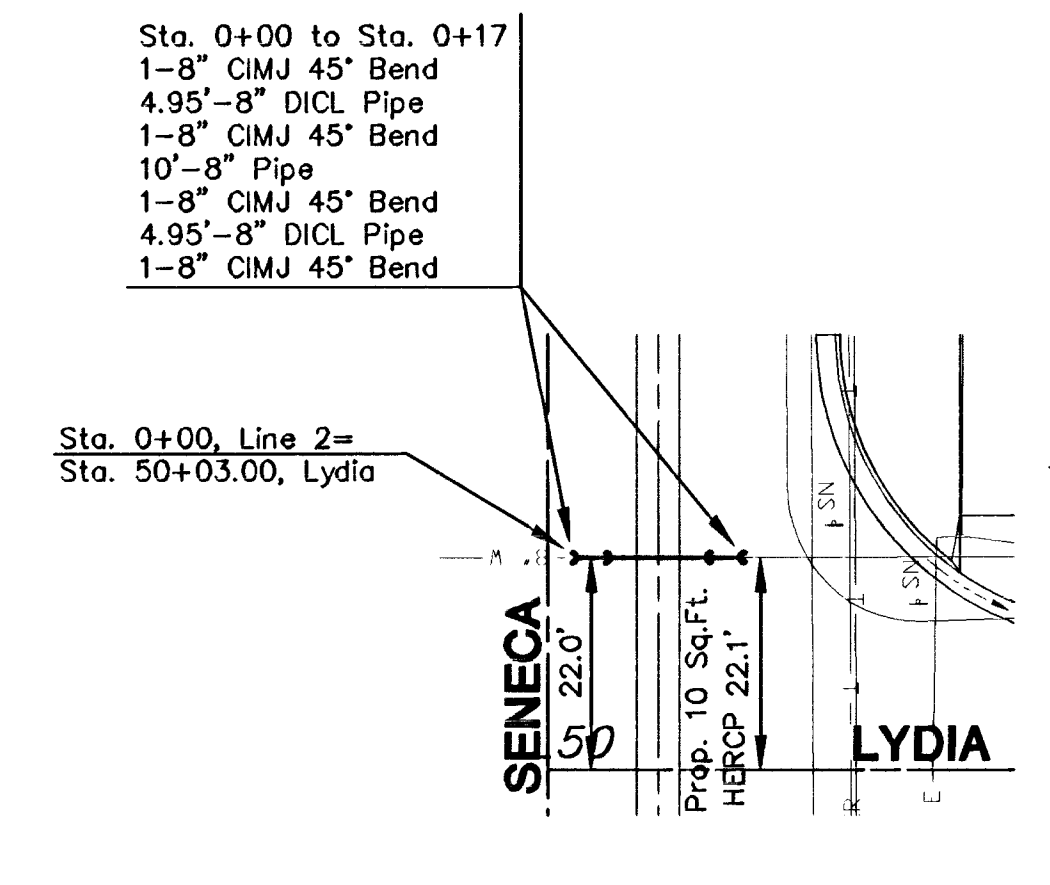


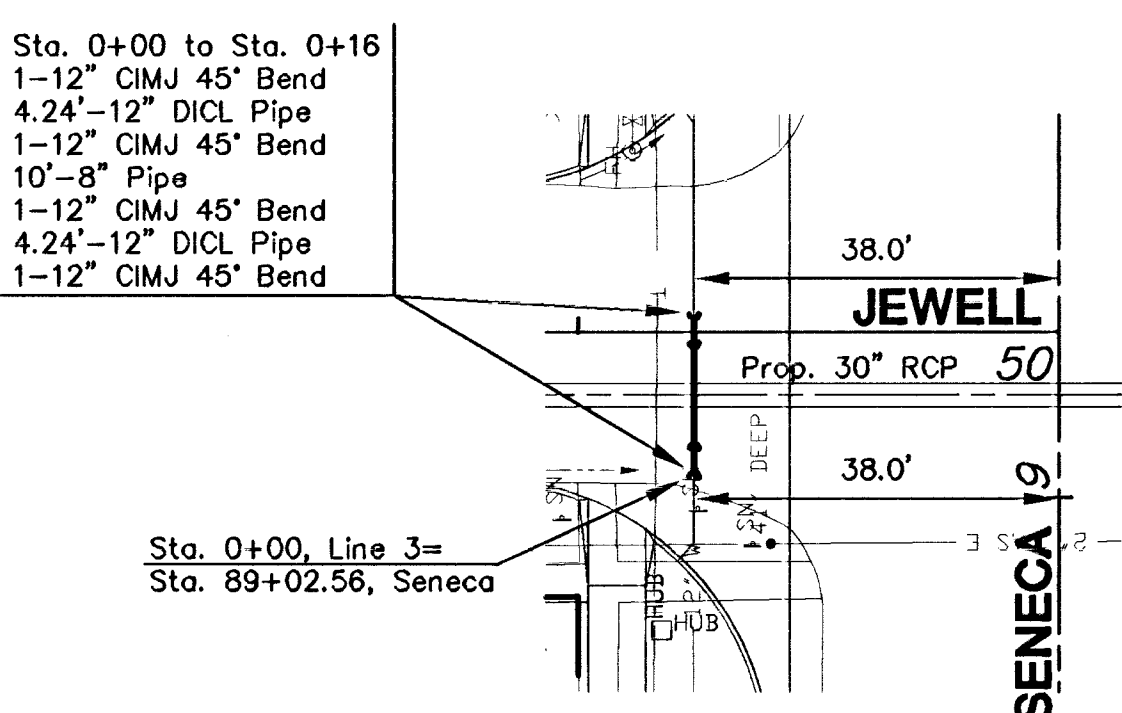
FHWA REG NO.	STATE	PROJECT NO.	YEAR	SHEET NO.	SHEETS
7	KANSAS	87N 0064-01	1997	53A	130



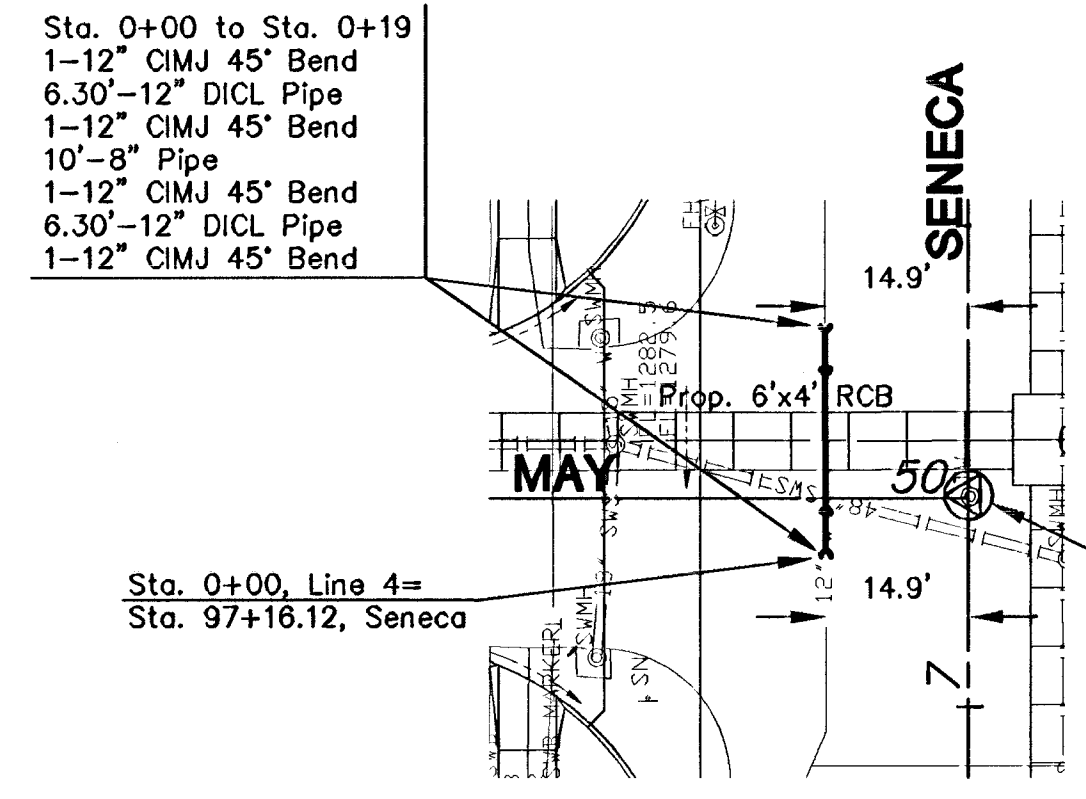
LINE 1



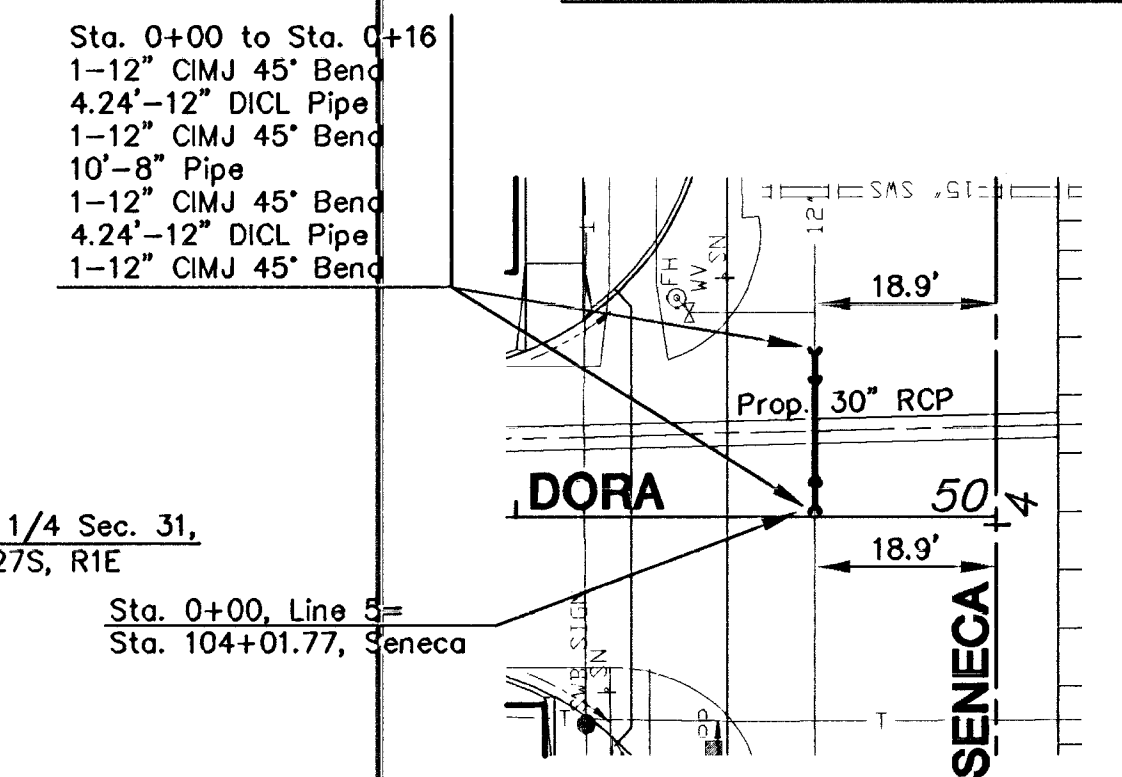
LINE 2



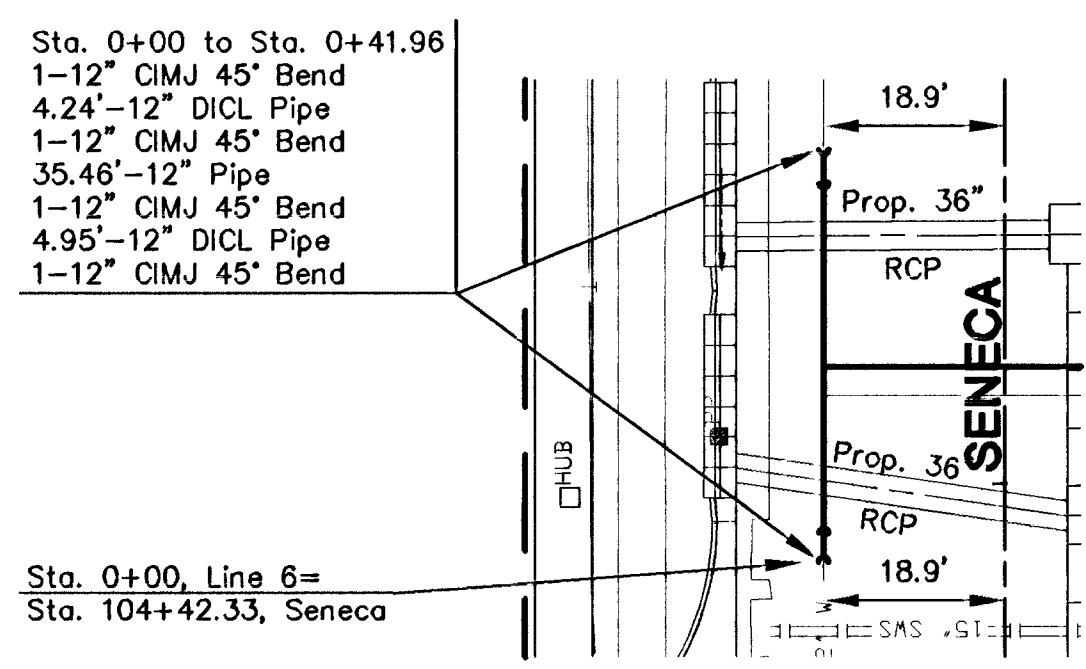
LINE 3



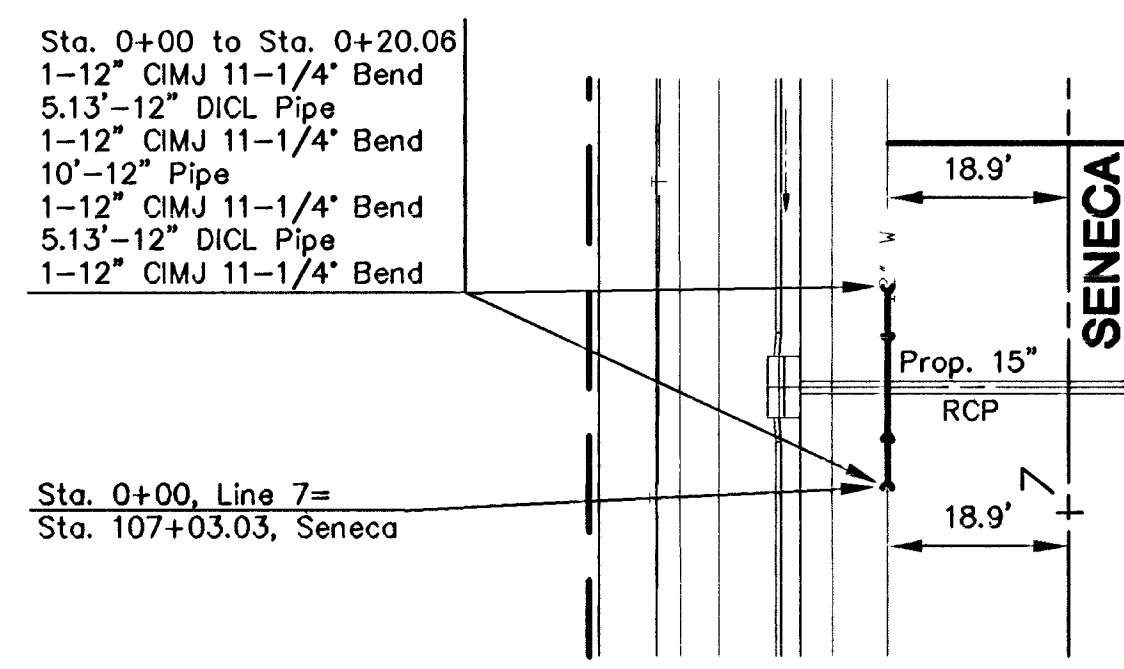
LINE 4



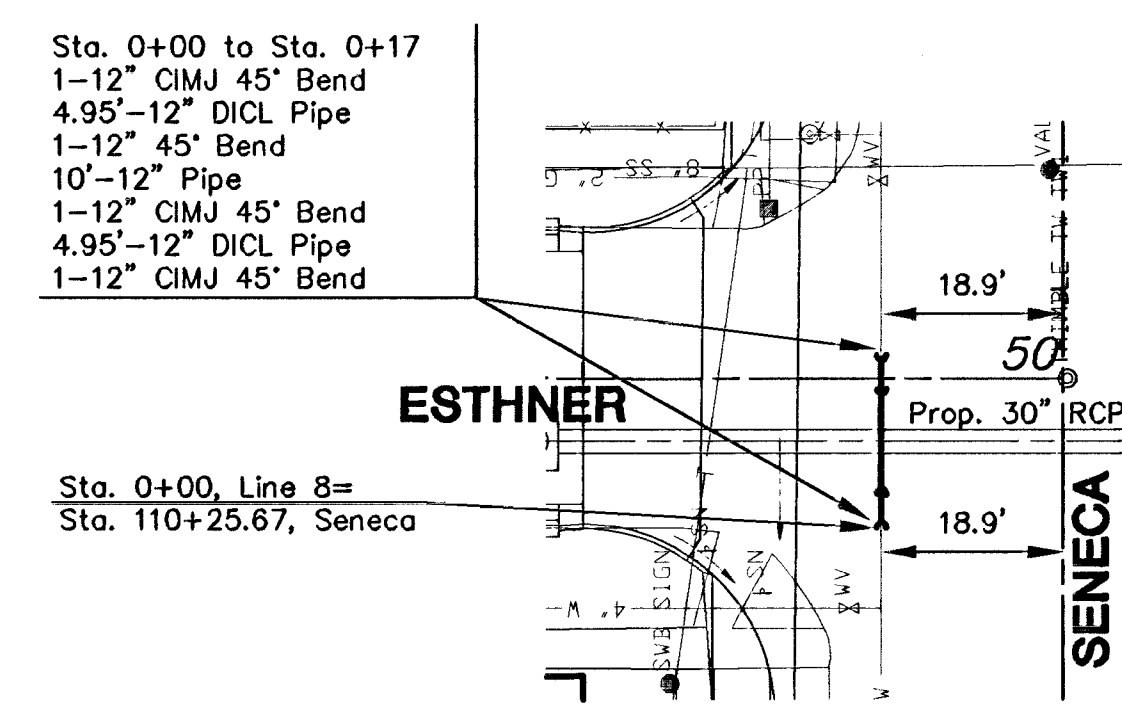
LINE 5



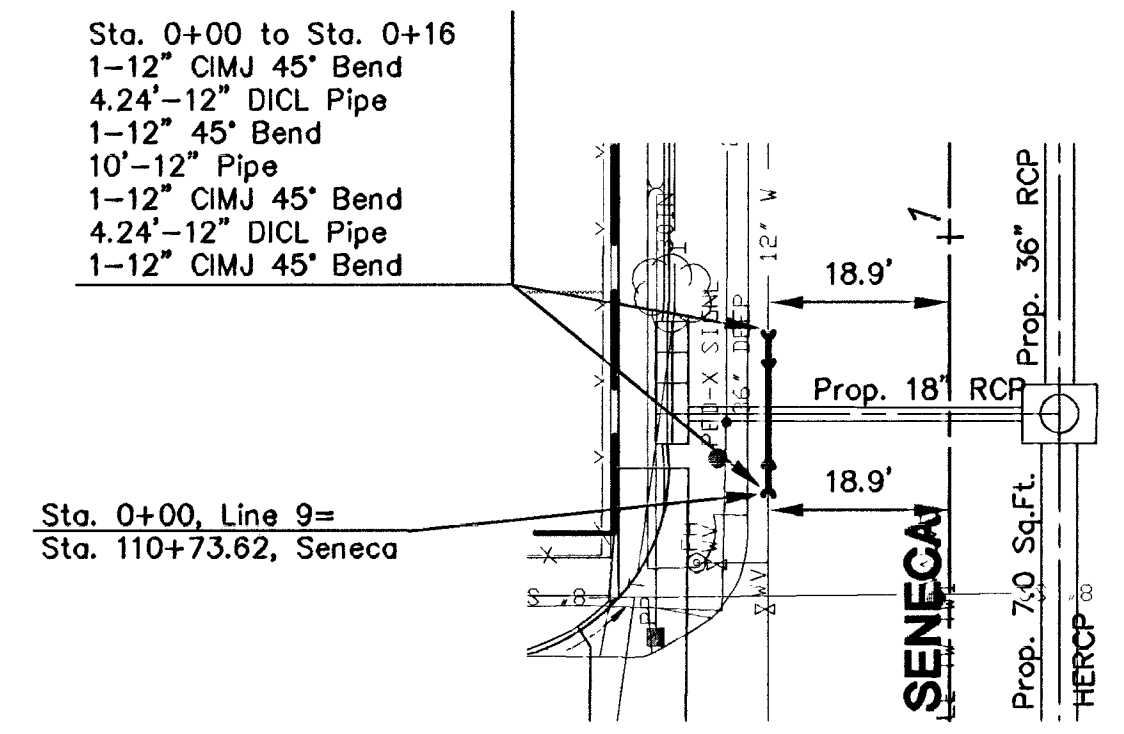
LINE 6



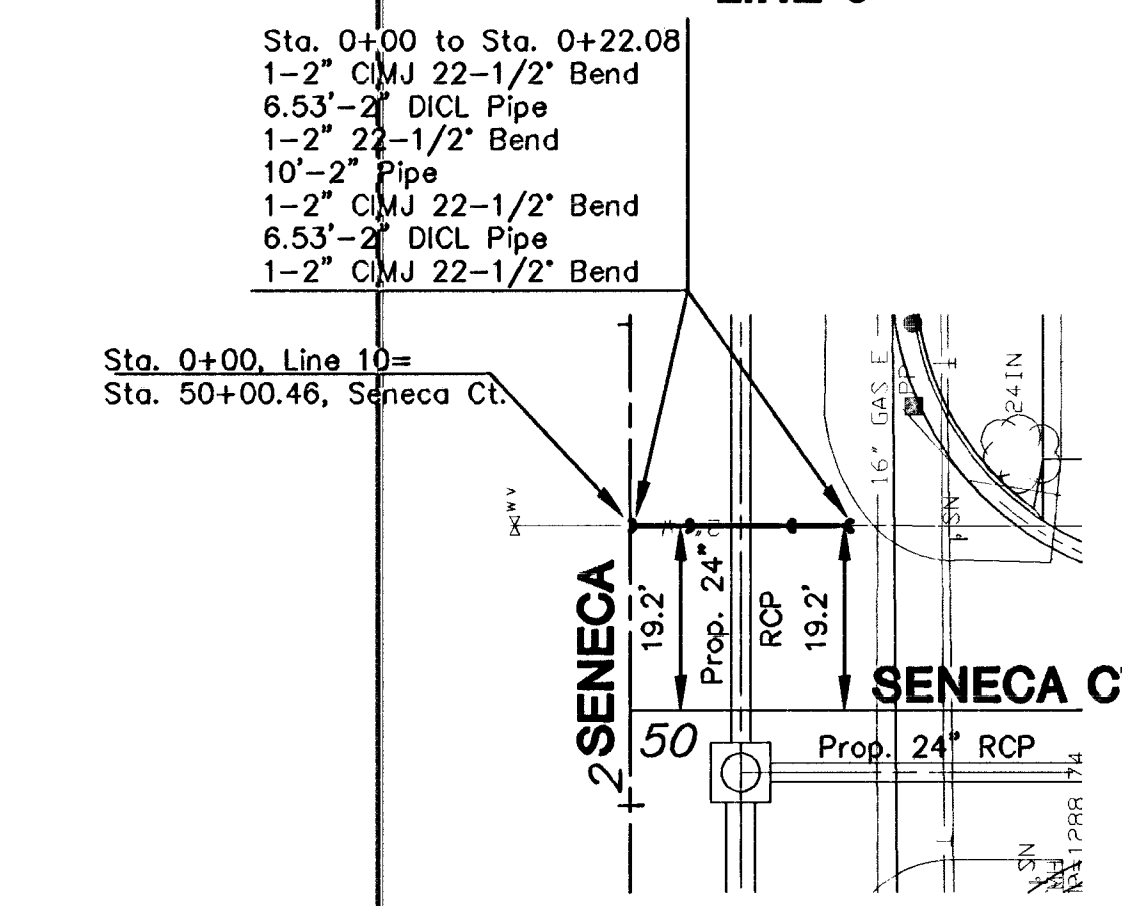
LINE 7



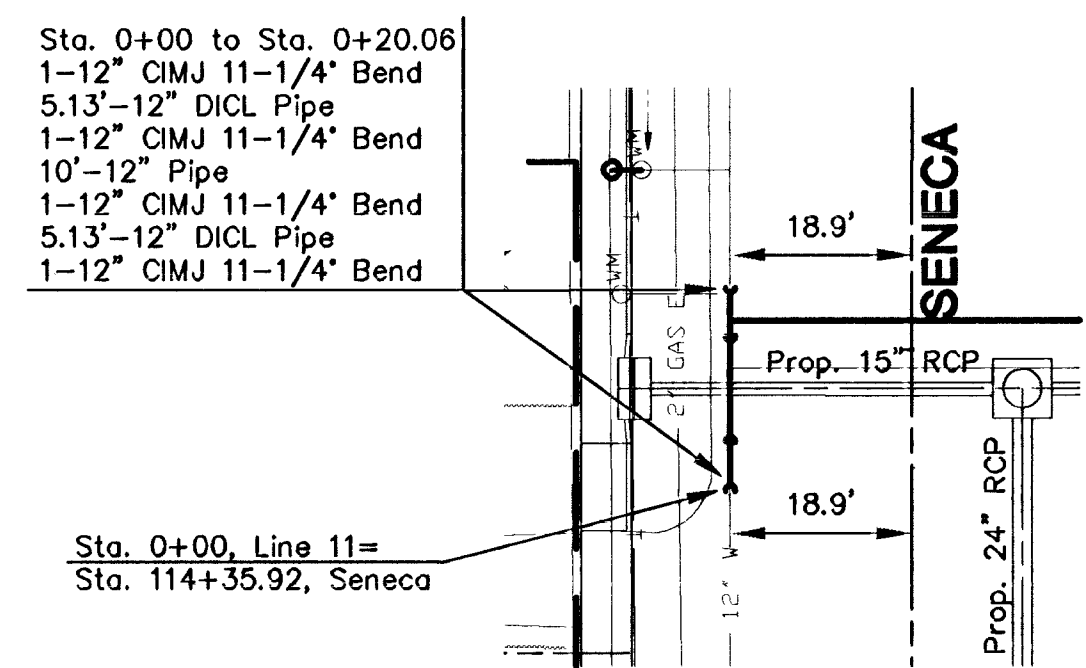
LINE 8



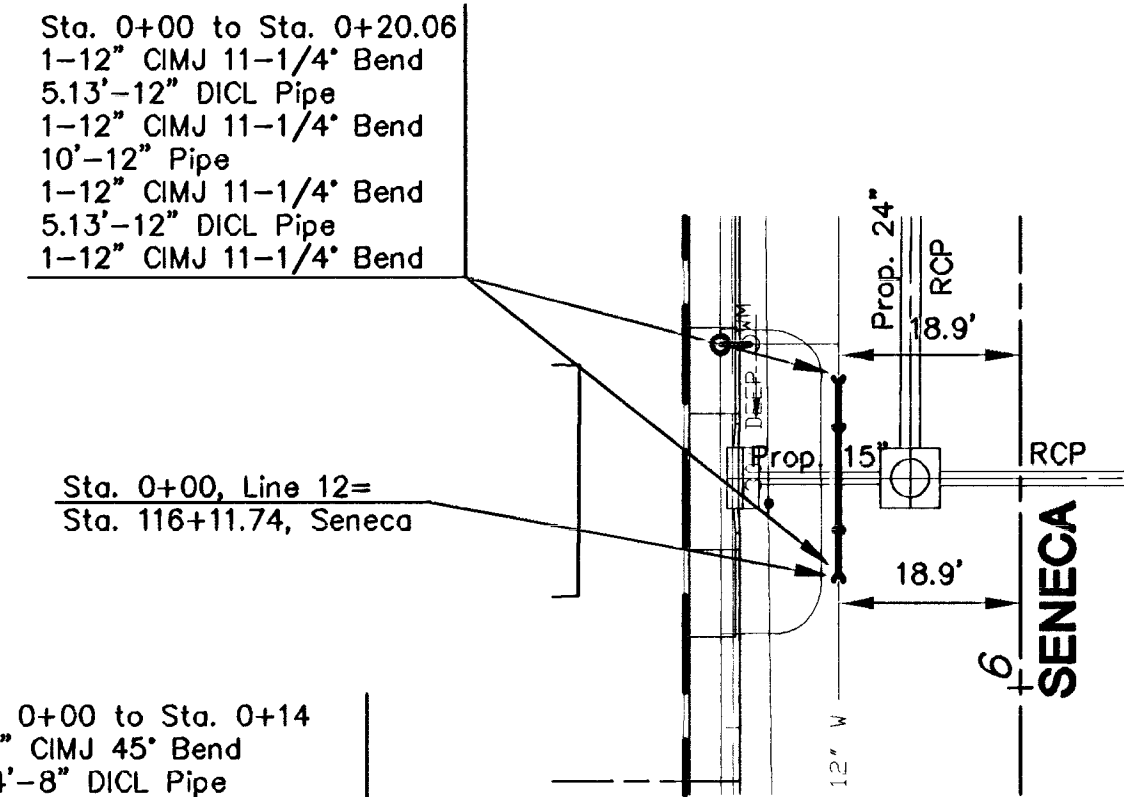
LINE 9



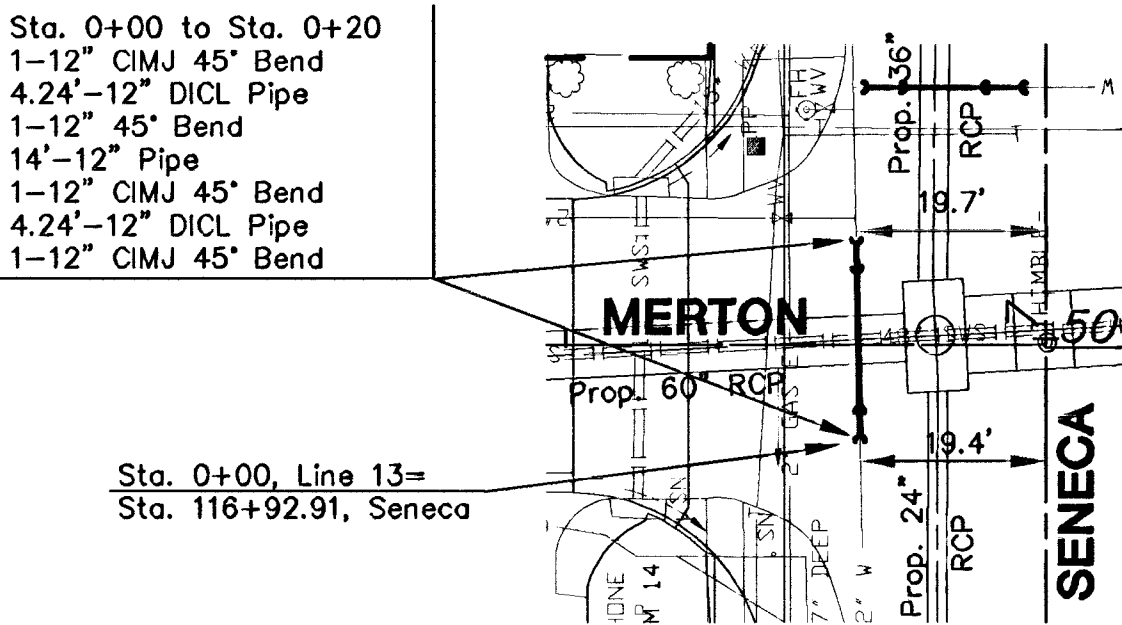
LINE 10



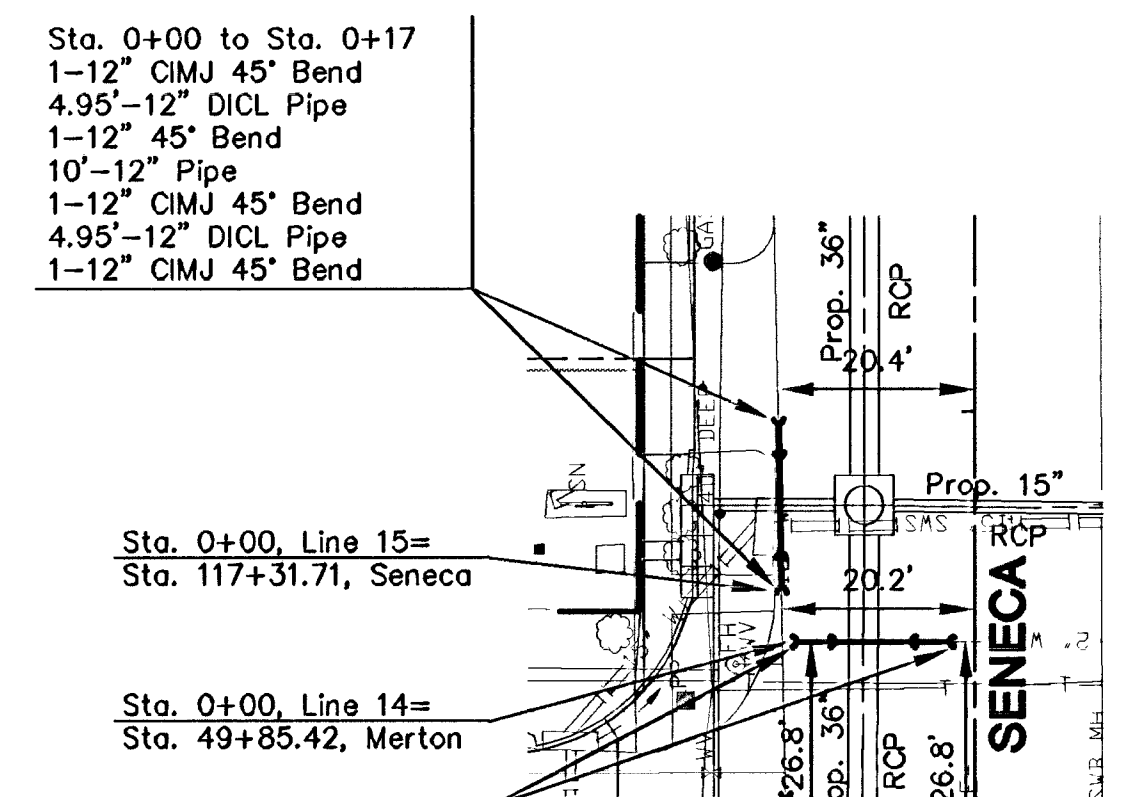
LINE 11



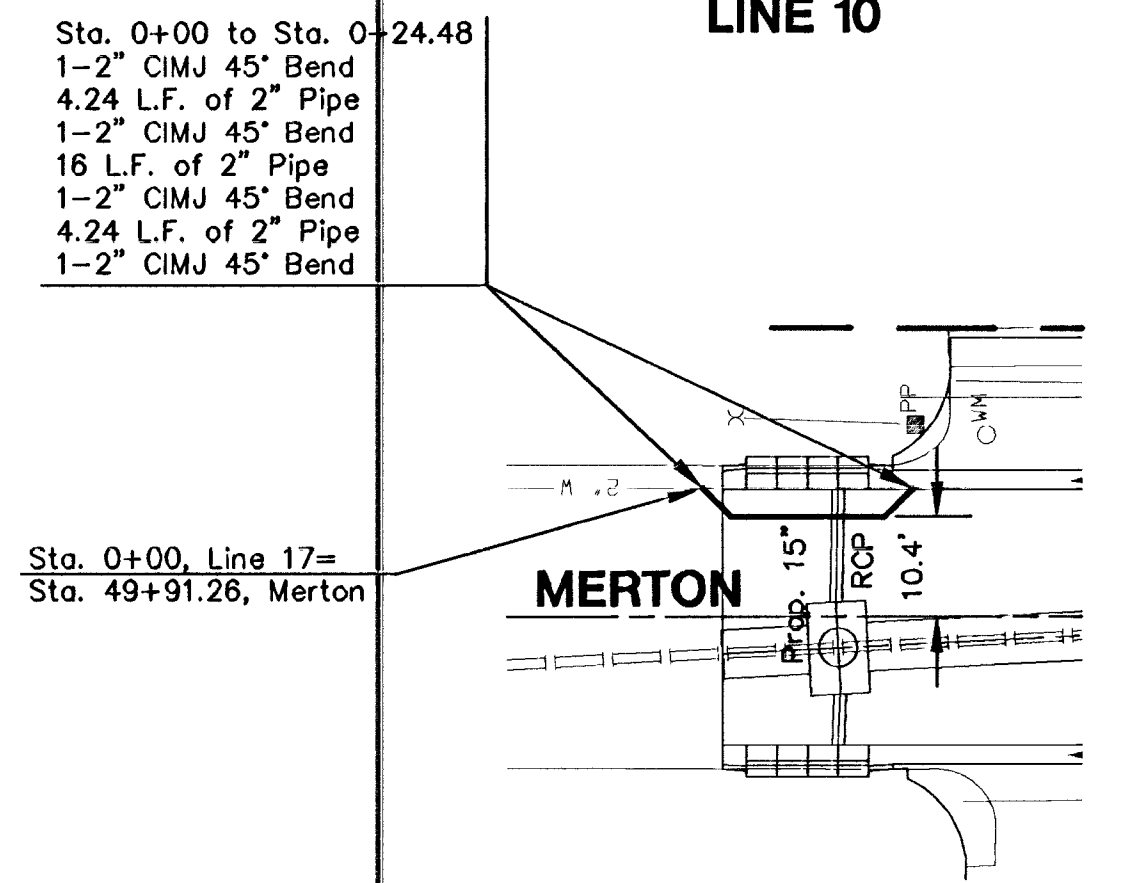
LINE 12



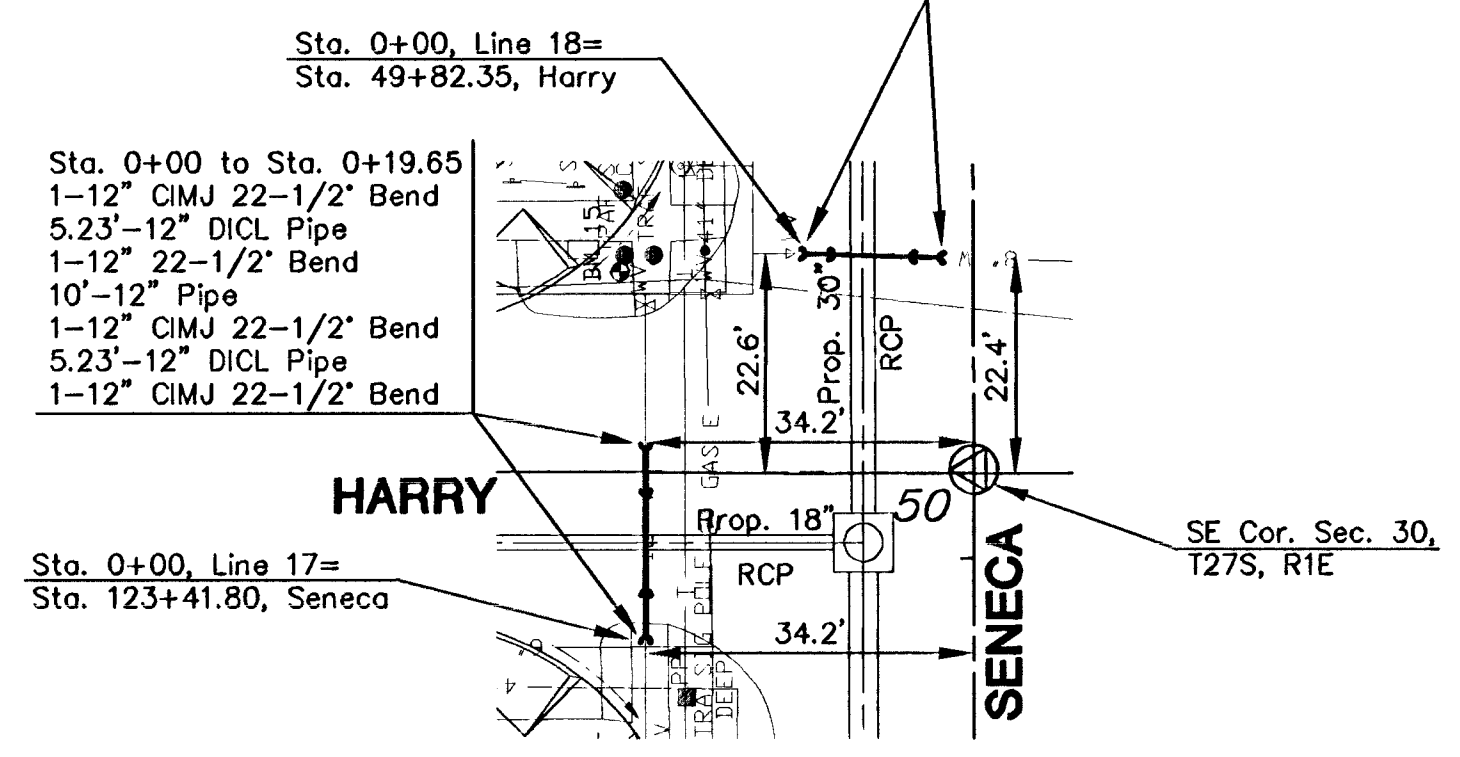
LINE 13



LINE 14 & LINE 15



LINE 16



LINE 17 & LINE 18

KANSAS DEPARTMENT OF TRANSPORTATION

**SOUTH SENECA STREET  
WATER MAIN ADJUSTMENTS**

PROJECT NO. 87N 0064-01      SEDGWICK CO.

**MID-KANSAS ENGINEERING CONSULTANTS, INC.**

WICHITA, KANSAS

DESIGNED BY: WNJ	CHECKED BY: GJA
DRAWN BY: WNJ	DATE: 4/97

SHEET 53A OF 130

H:\CIVIL\SENECA\94005\MFA\94005-C1.F3 May 30 12:02:44 1997