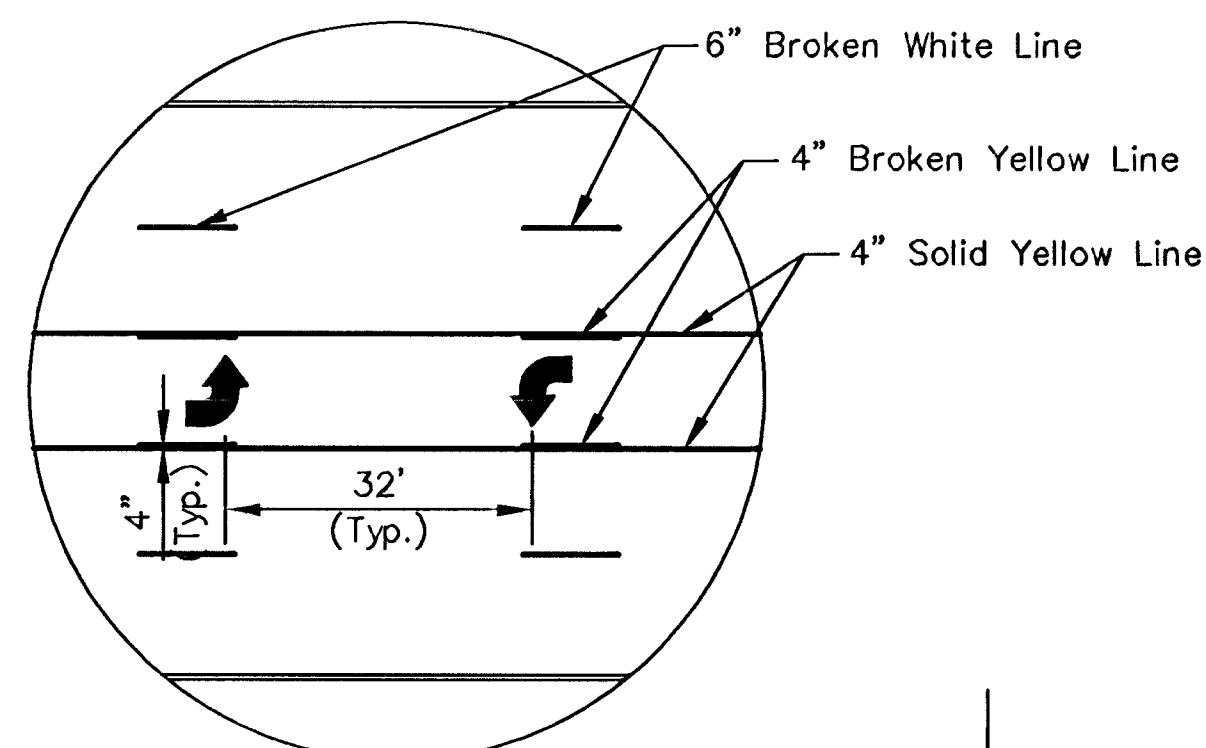
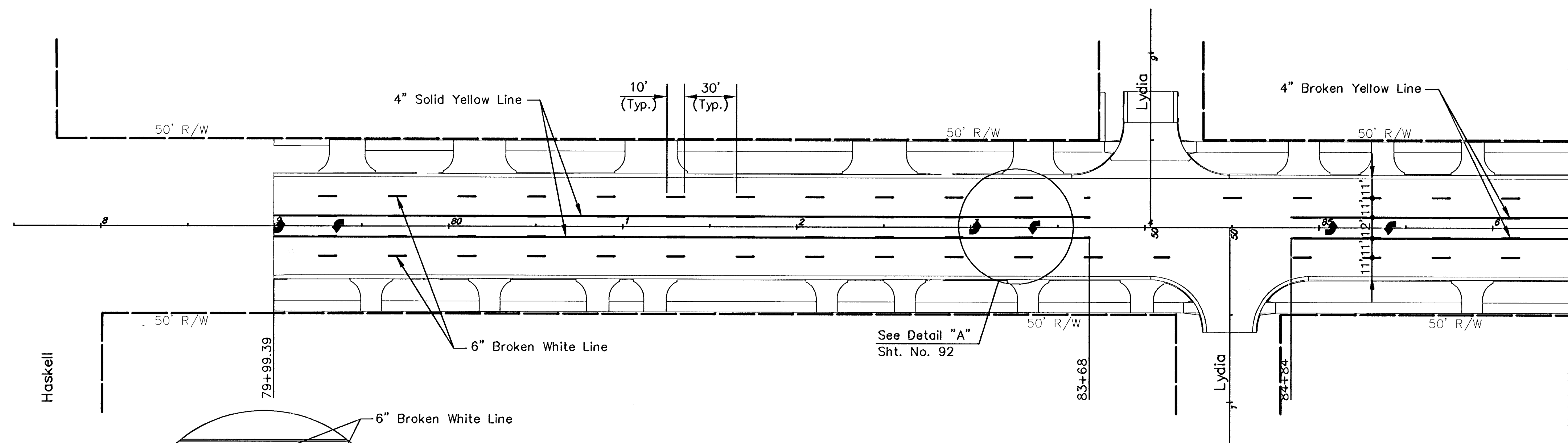
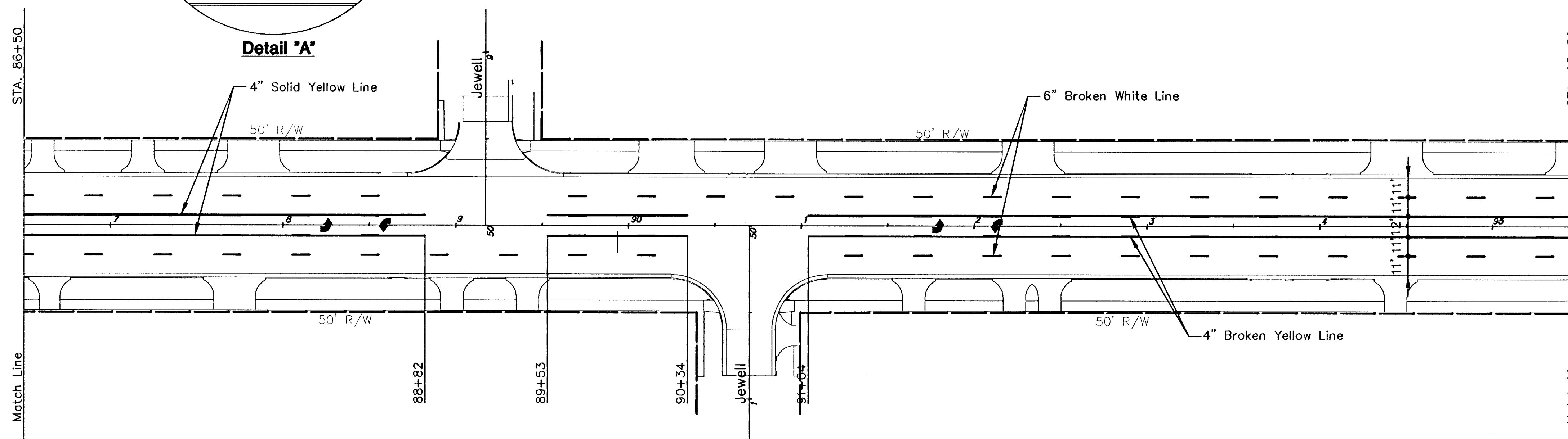


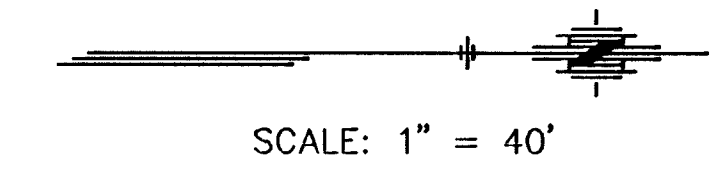
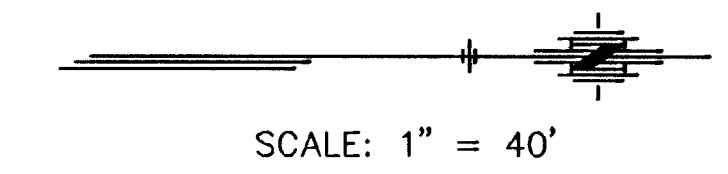
FHWA REG NO.	STATE	PROJECT NO.	YEAR	SHEET NO.	SHEETS
7	KANSAS	87N 0064-01	1997	92	130



SENECA STREET - STA 79+25.22 TO STA 86+50



SENECA STREET - STA 86+60 TO STA 95+50



KANSAS DEPARTMENT OF TRANSPORTATION

**SENECA STREET
PAVEMENT MARKING**

PROJECT NO. 87N 0064-01 SEDGWICK CO.
MID-KANSAS ENGINEERING CONSULTANTS, INC.
WICHITA, KANSAS

DESIGNED BY: GJA	CHECKED BY: GJA
DRAWN BY: WNU	DATE: 1998 SHEET 92 OF 130

840551P3

R:\CIVIL\SENECA\840551P3 Fr1 May 30 13:41:14 1997