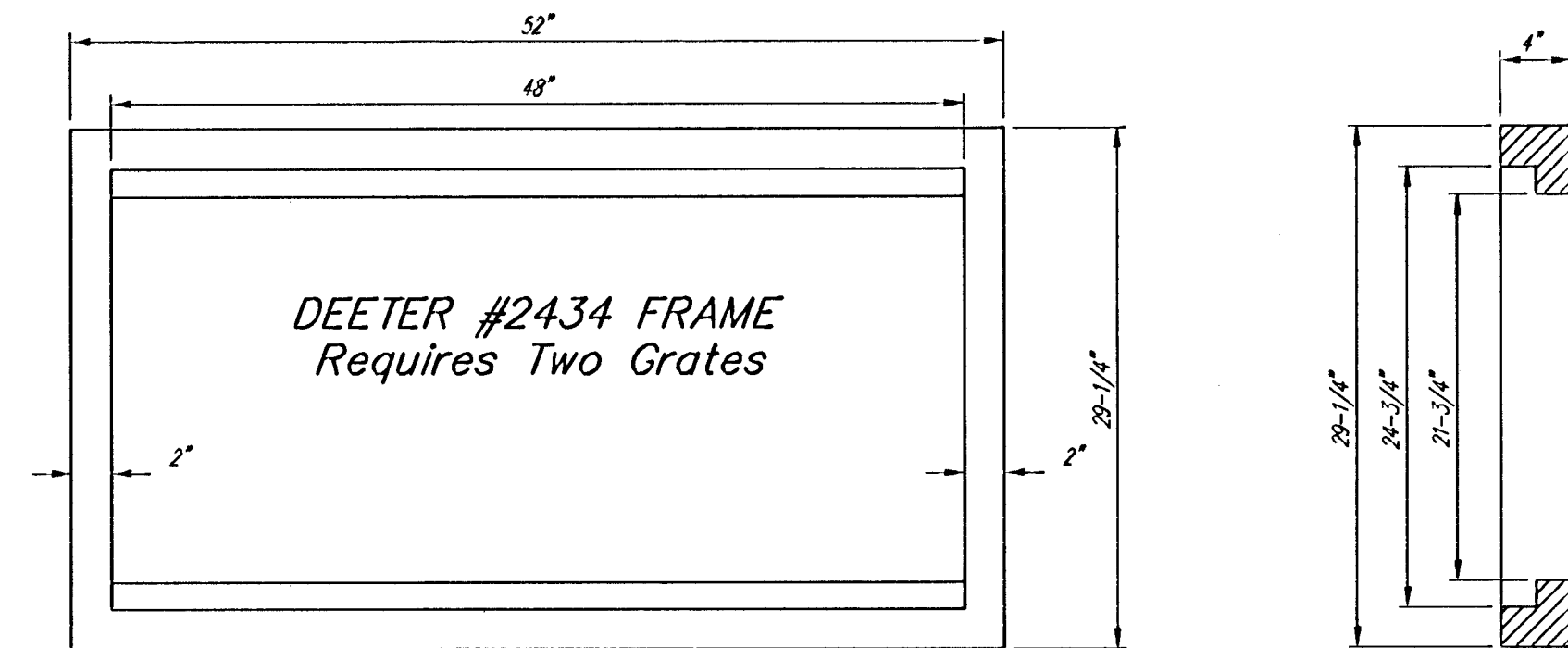


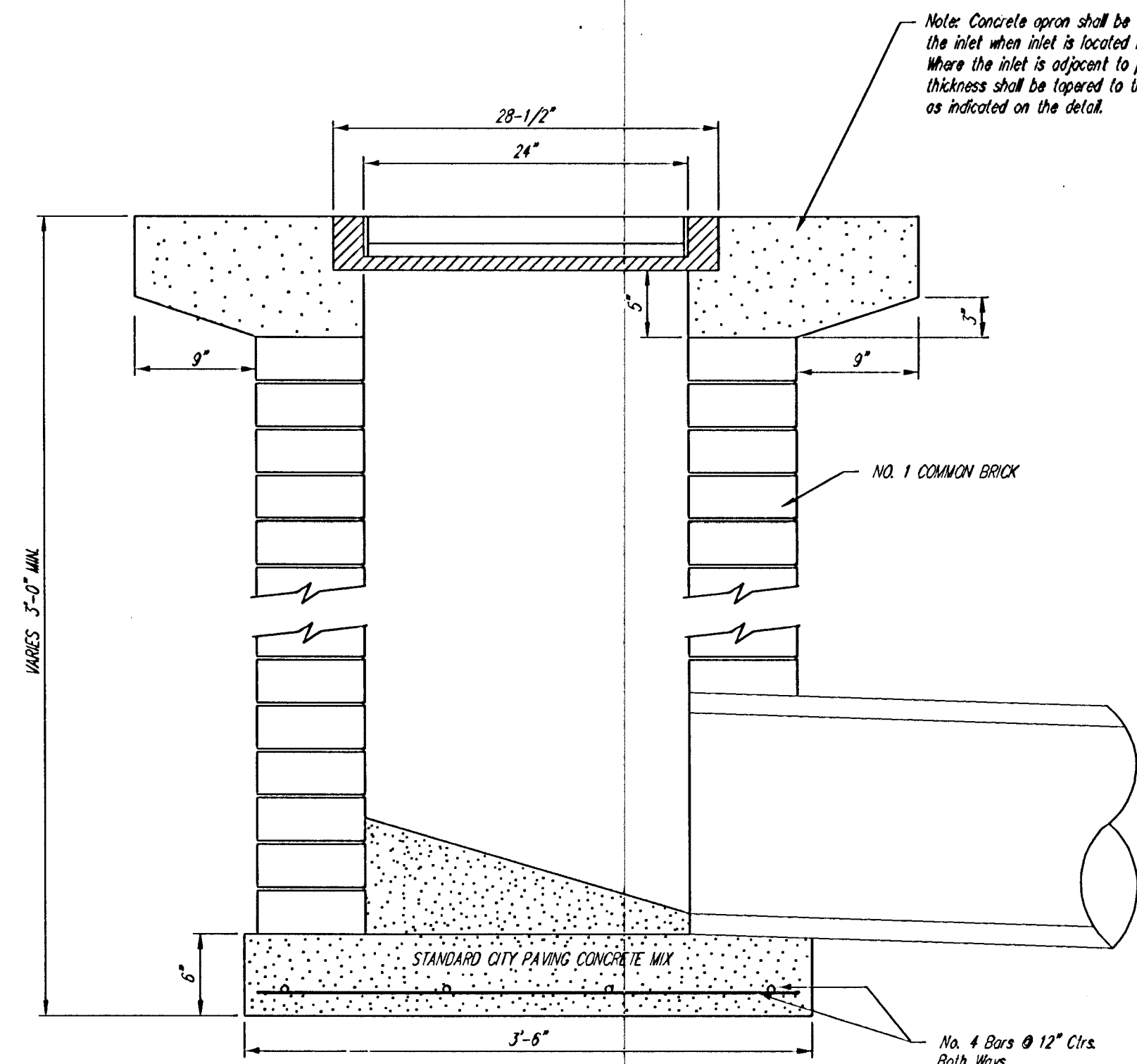
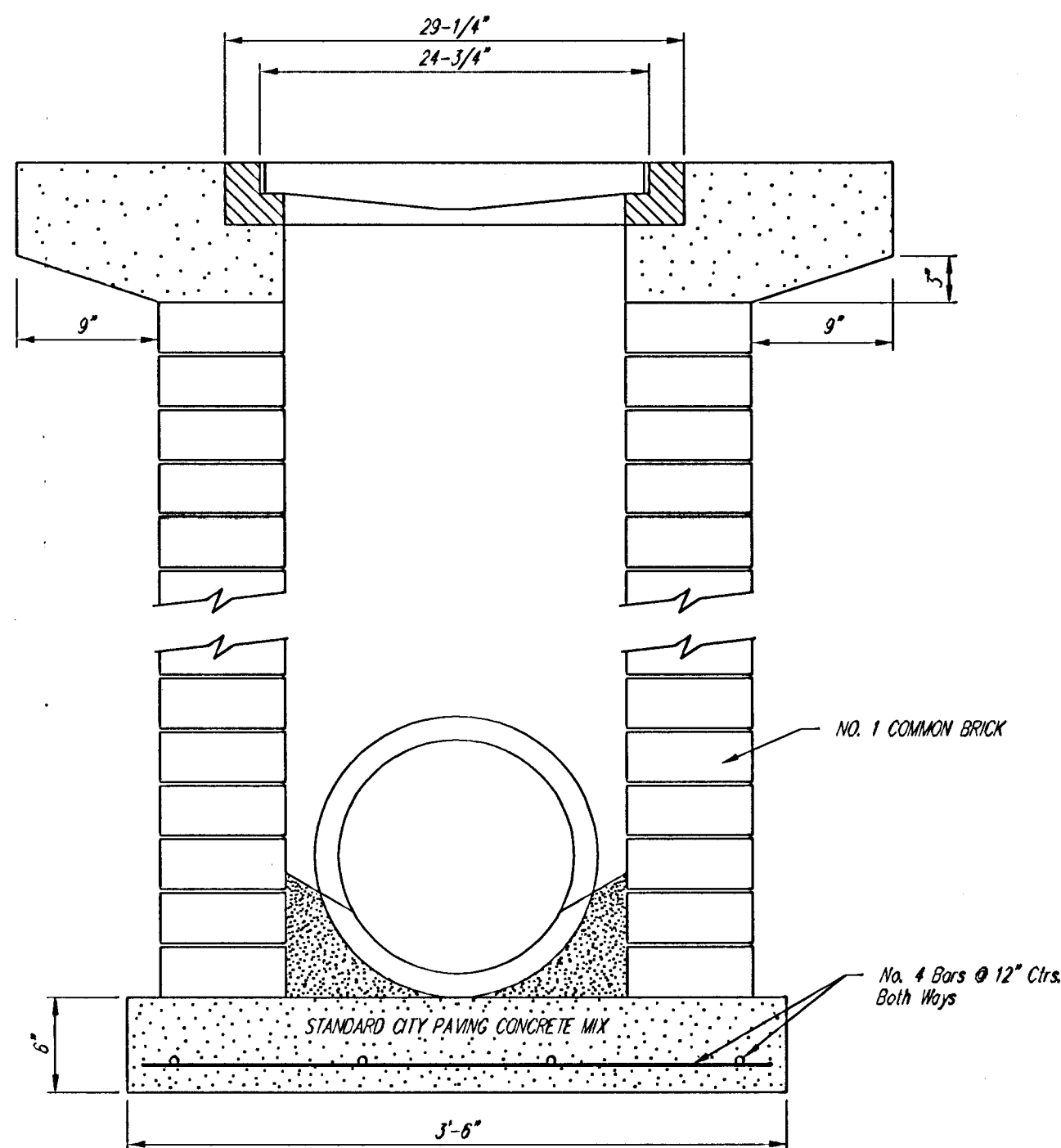
DEETER #2433 GRATE

24" x 24" Frame and Grate Detail

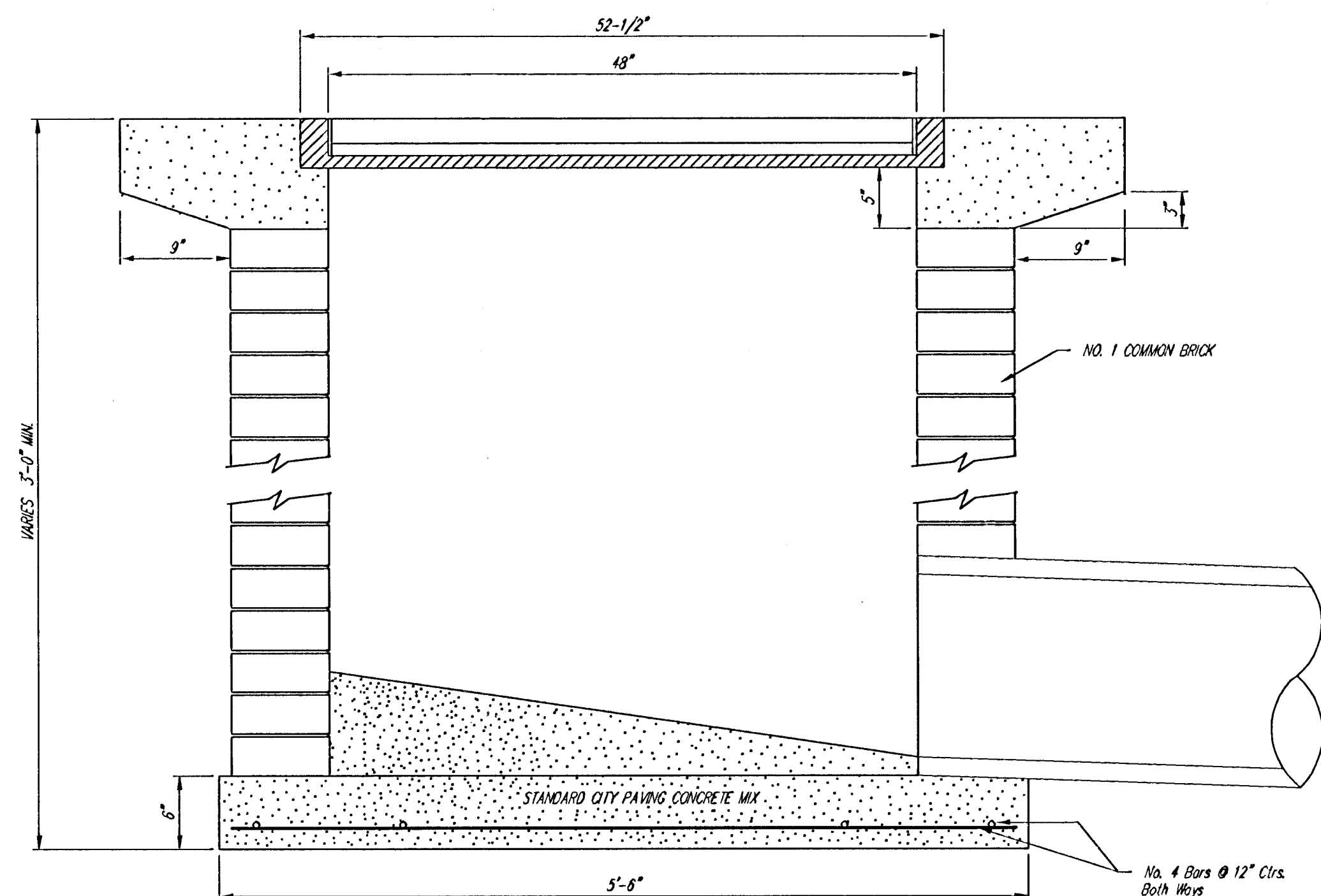
NOTE: Grates shall be imprinted on the top surface with "CITY OF WICHITA" using letters at least 1" in height. Other marking methods may be approved by the engineer.



Double 24" x 24" Frame Detail



Note: Concrete apron shall be constructed around the inlet when inlet is located in an unpaved area. Where the inlet is adjacent to pavement, the pavement thickness shall be tapered to the inlet in 9 inches as indicated on the detail.



	City of Wichita Standard	
	<b>Drop Inlet Detail</b>	
<small>Baughman Company, P.A. 315 Ellis St. Wichita, KS 67211 P 316262-7111 F 316262-0149          ENGINEERING   SURVEYING   PLANNING   LANDSCAPE ARCHITECTURE</small>		
PROJECT NUMBER 472-54249	DESIGN C.O.W.	DRAWN STAFF
REVISIONS	APPROVED DATE 01/06	SCALE NONE
		SHEET <b>22 OF 39</b>