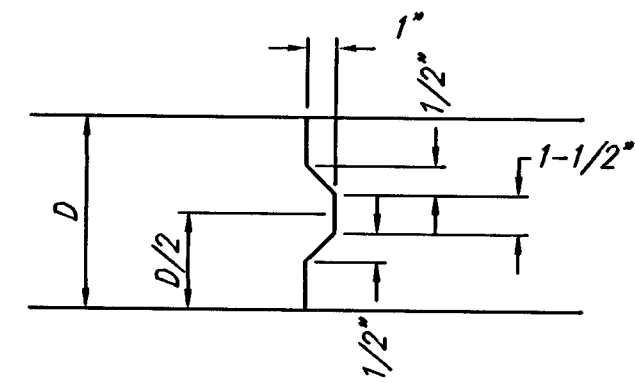
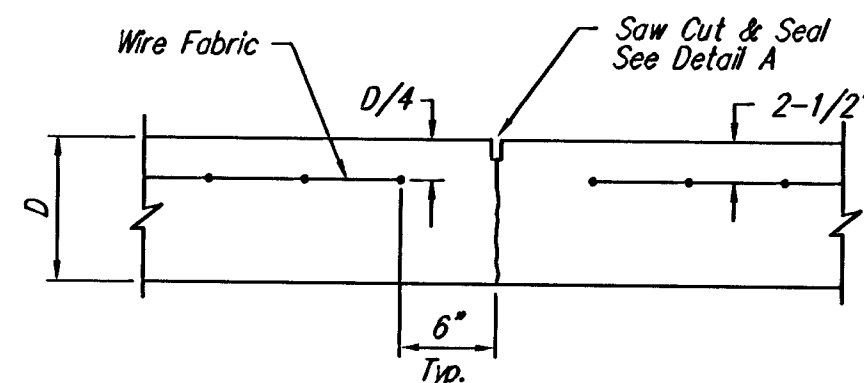


EXPANSION JOINT

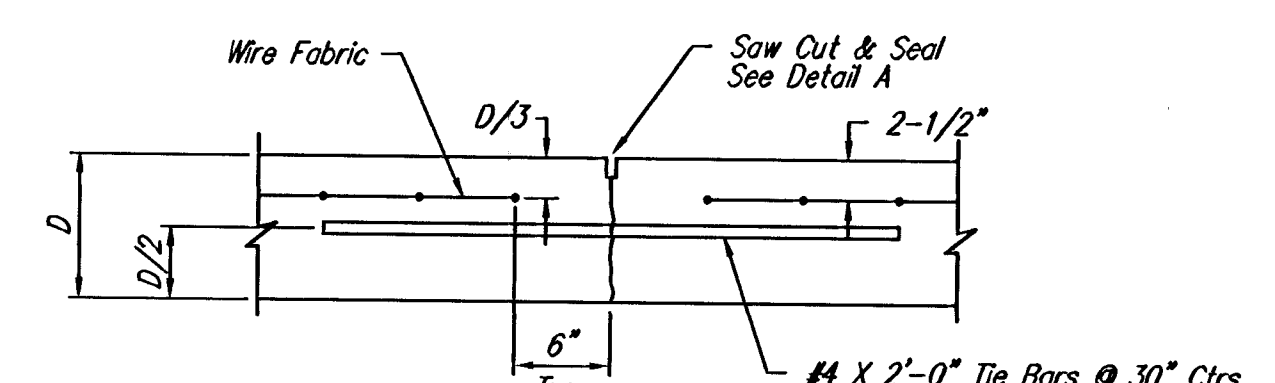
NOTE: Extra Thickness to be Subsidiary to Price of Square Yards Pavement



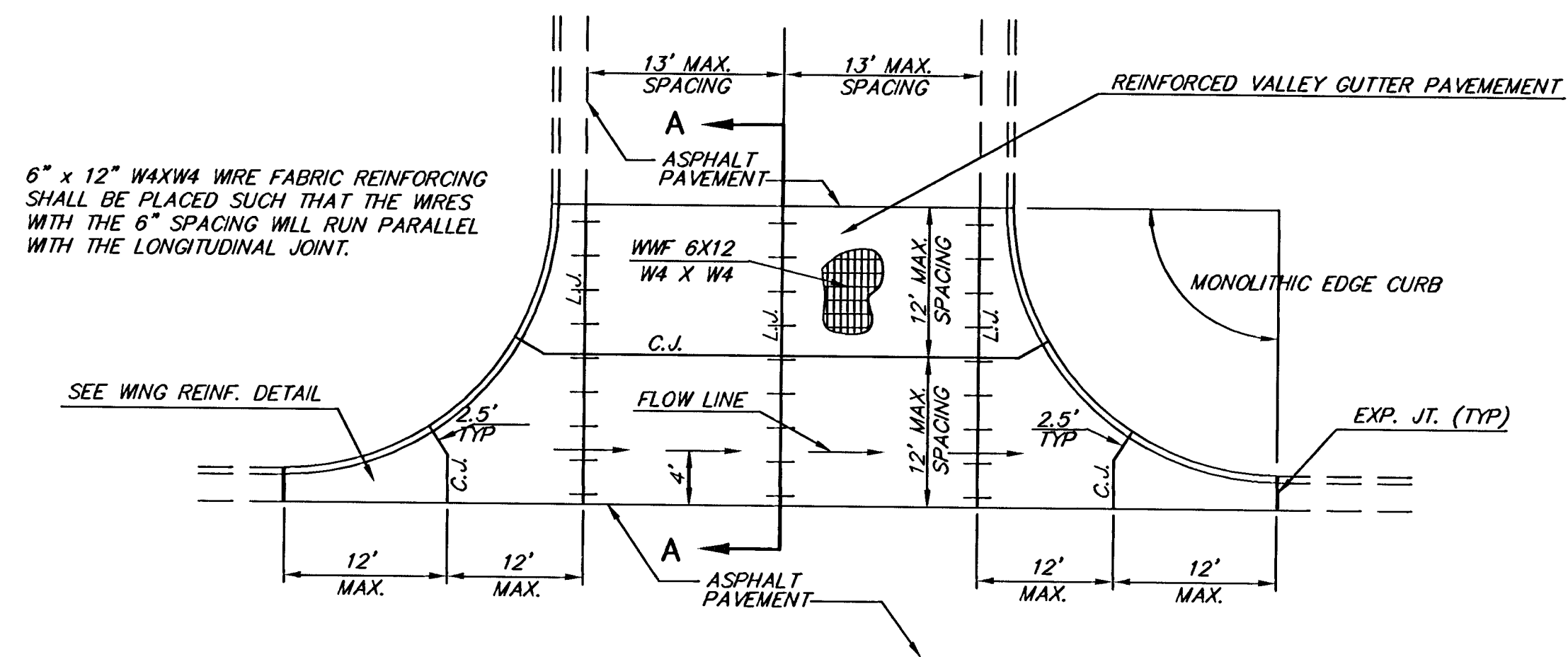
KEYWAY DETAIL



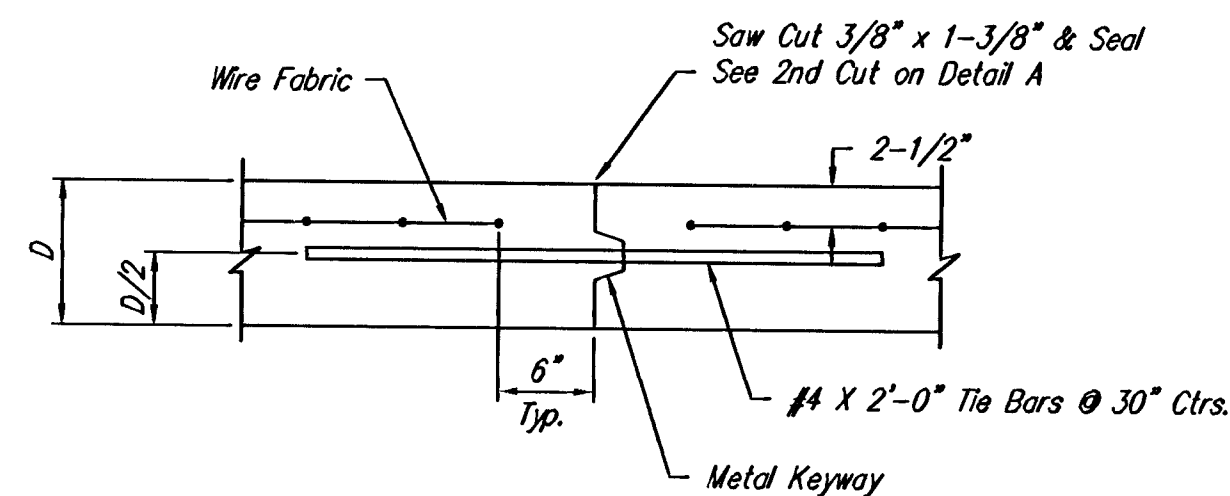
CONTRACTION JOINT DETAIL (C.J.)



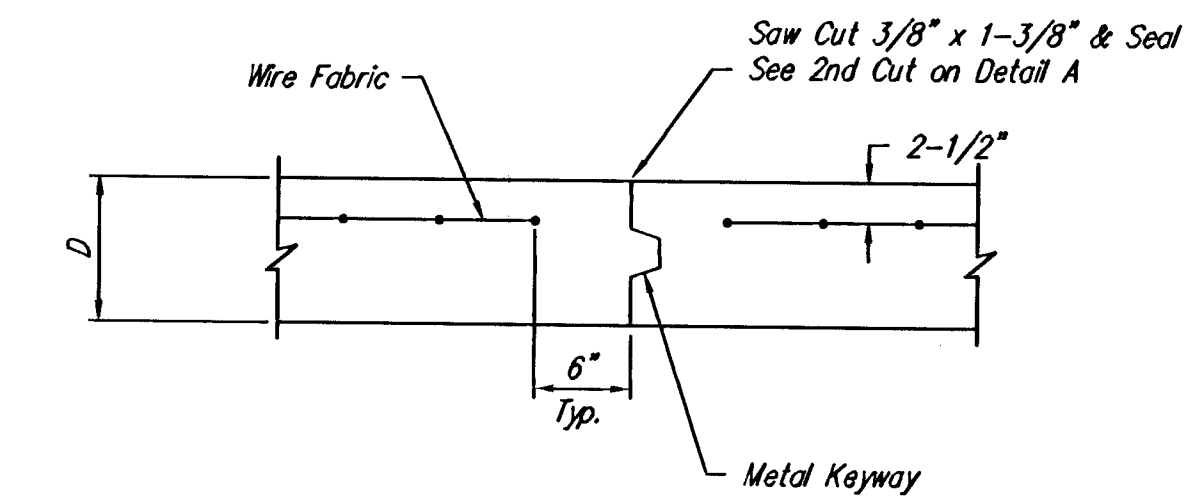
LONGITUDINAL JOINT DETAIL (L.J.)



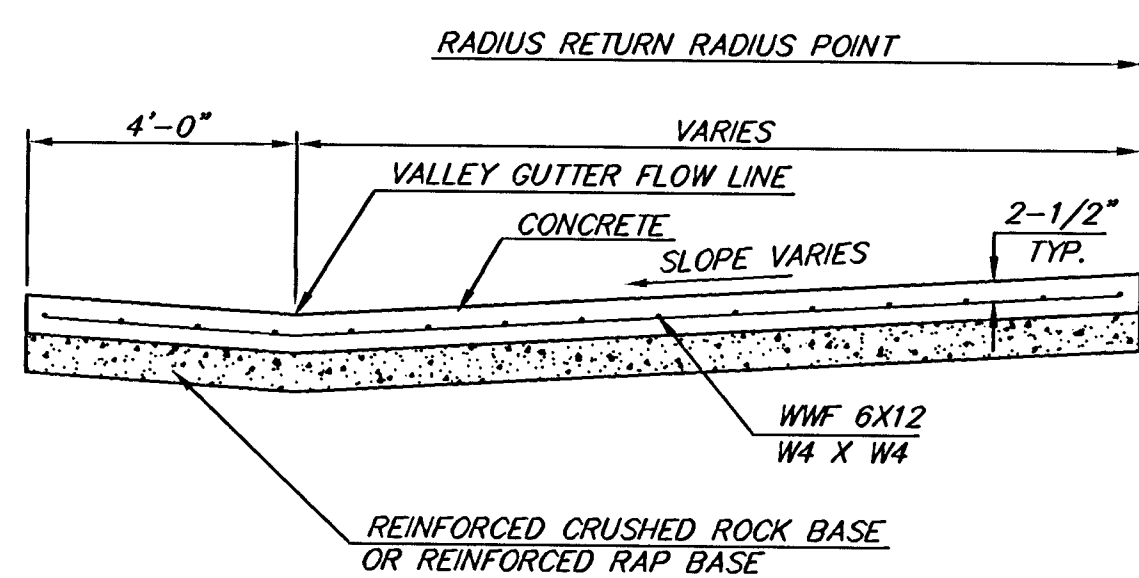
PLAN



OPTIONAL LONGITUDINAL JOINT DETAIL (L.J.)

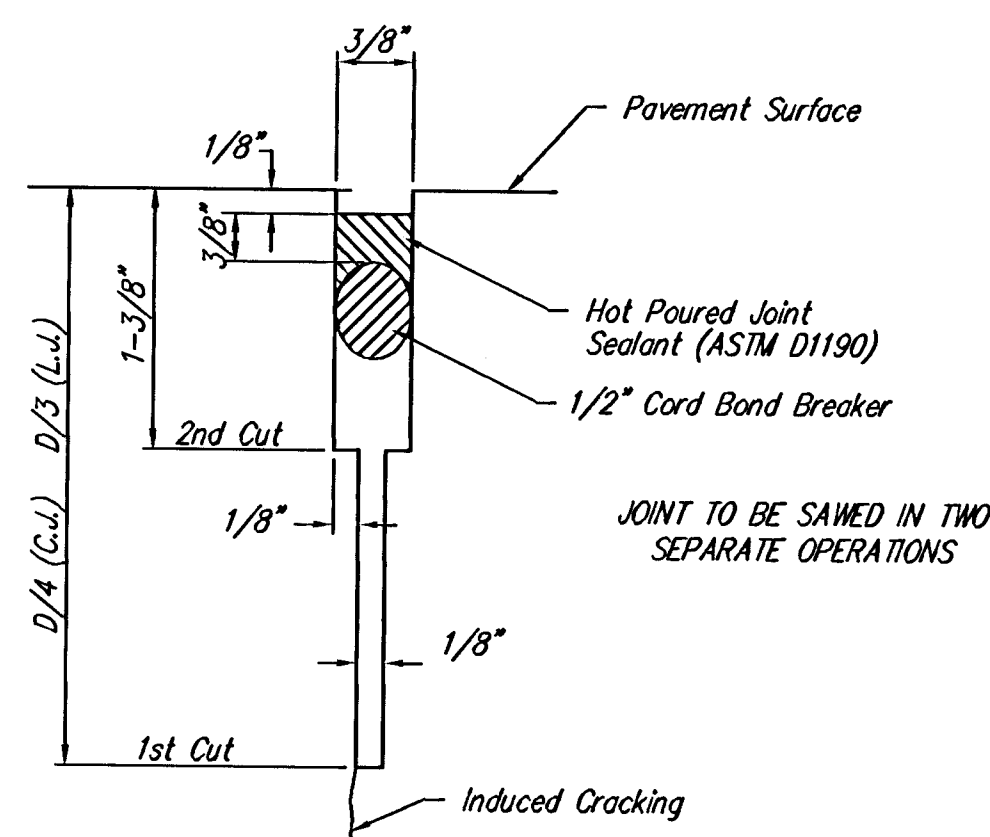


OPTIONAL CONTRACTION JOINT

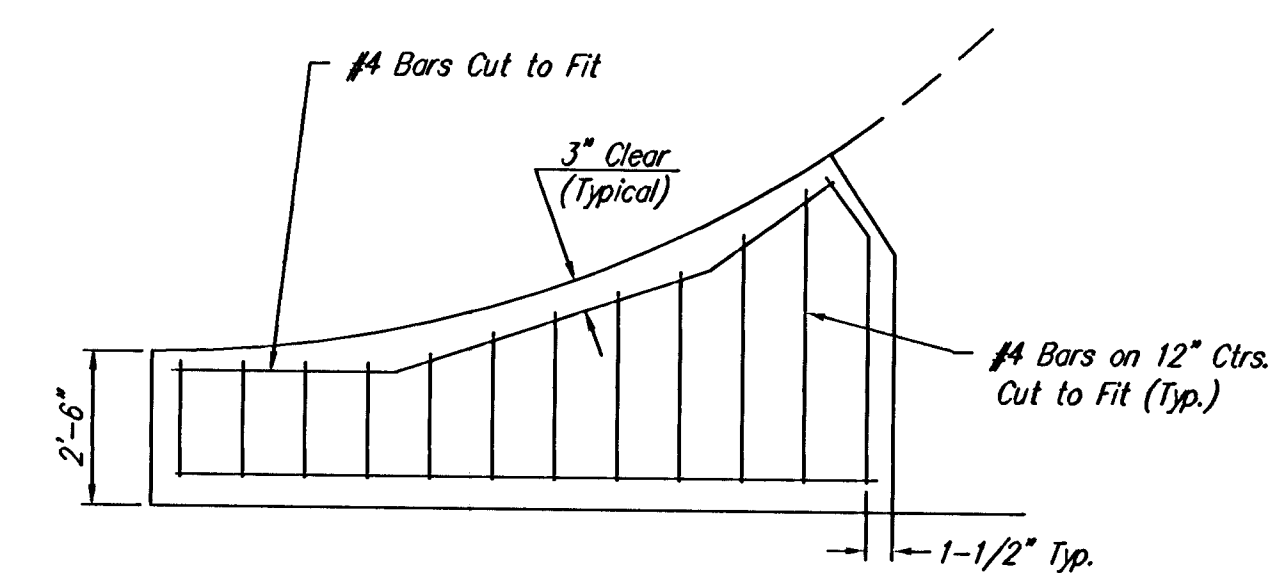


SECTION A-A

REINFORCED VALLEY GUTTER DETAIL



SAW JOINT DETAIL



WING REINFORCING DETAIL

H:\CIVIL\02121\4TH ADDITION\PAV\02121ED2.DWG

<p>THE CITY OF WICHITA</p>	VALLEY GUTTER DETAILS	
	<p>JIM ARMOUR (ACTING CITY ENGINEER) - CITY ENGINEER</p>	
<p>CITY ENGINEER'S OFFICE CITY HALL - SEVENTH FLOOR 455 NORTH MAIN STREET WICHITA, KANSAS 67202 (316) 268-4500 (316) 268-4114 FAX</p>	PROJECT NUMBER 472-84385	OCA NUMBER 785986
	DATE MAR 06	SHEET 3 OF 33