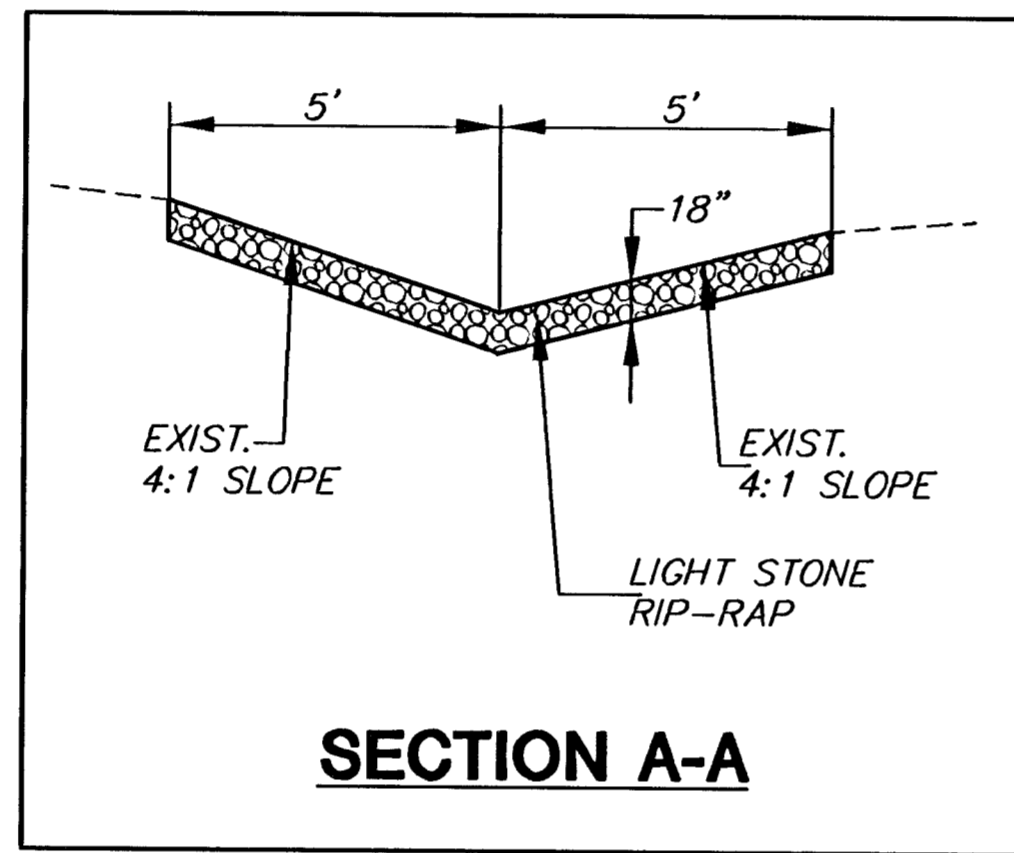
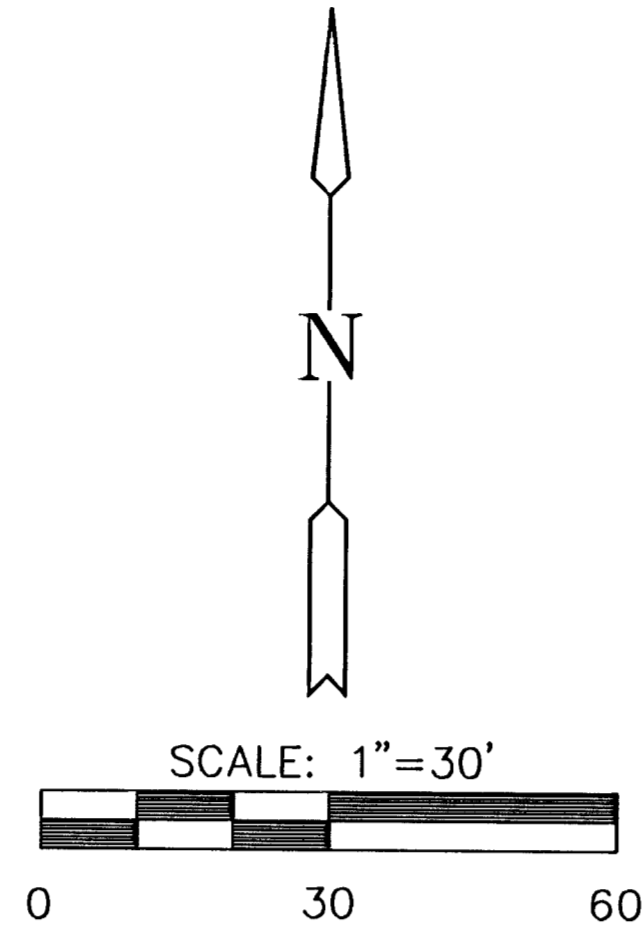


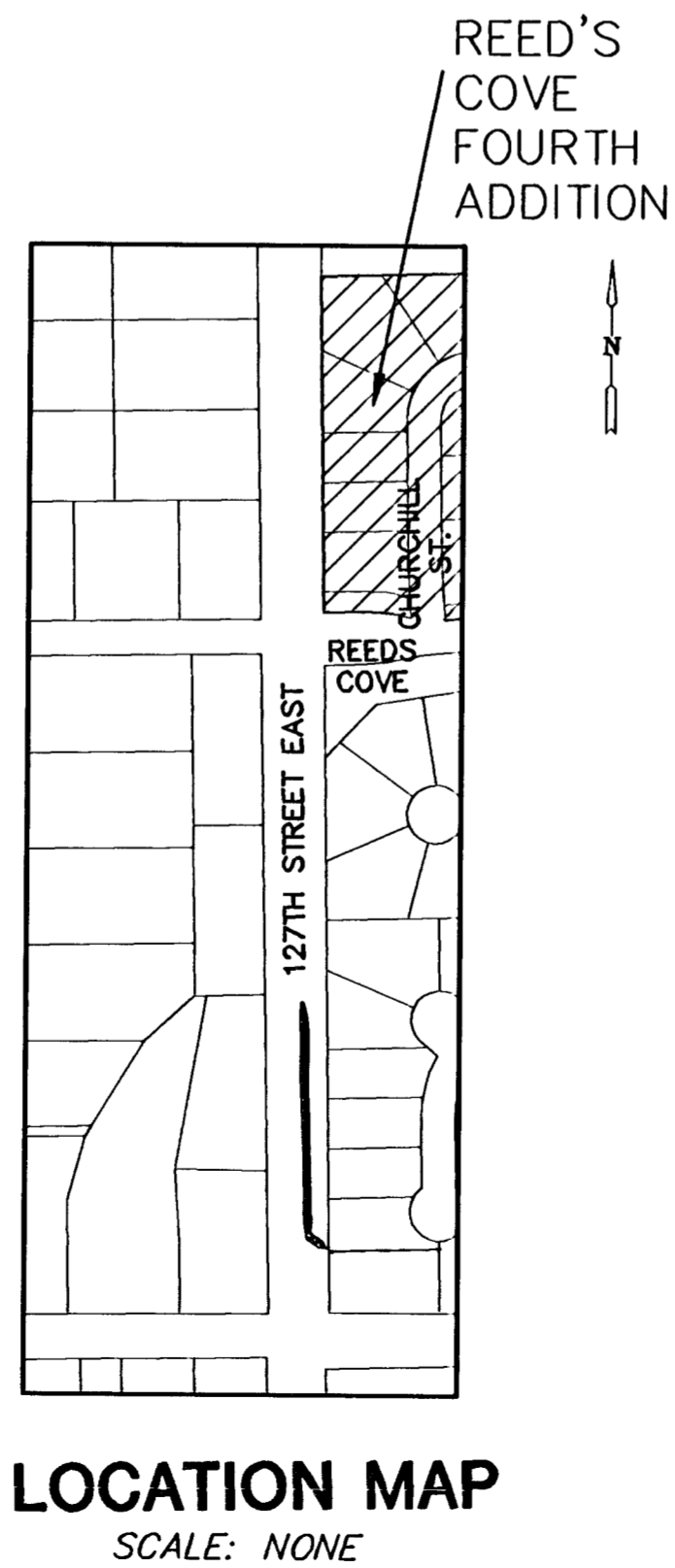
INSTALL 460 S.Y. OF LIGHT STONE RIP-RAP

EXISTING SSMH  
MH TOP=1362.4  
FL IN=1352.17  
FL OUT=1352.07

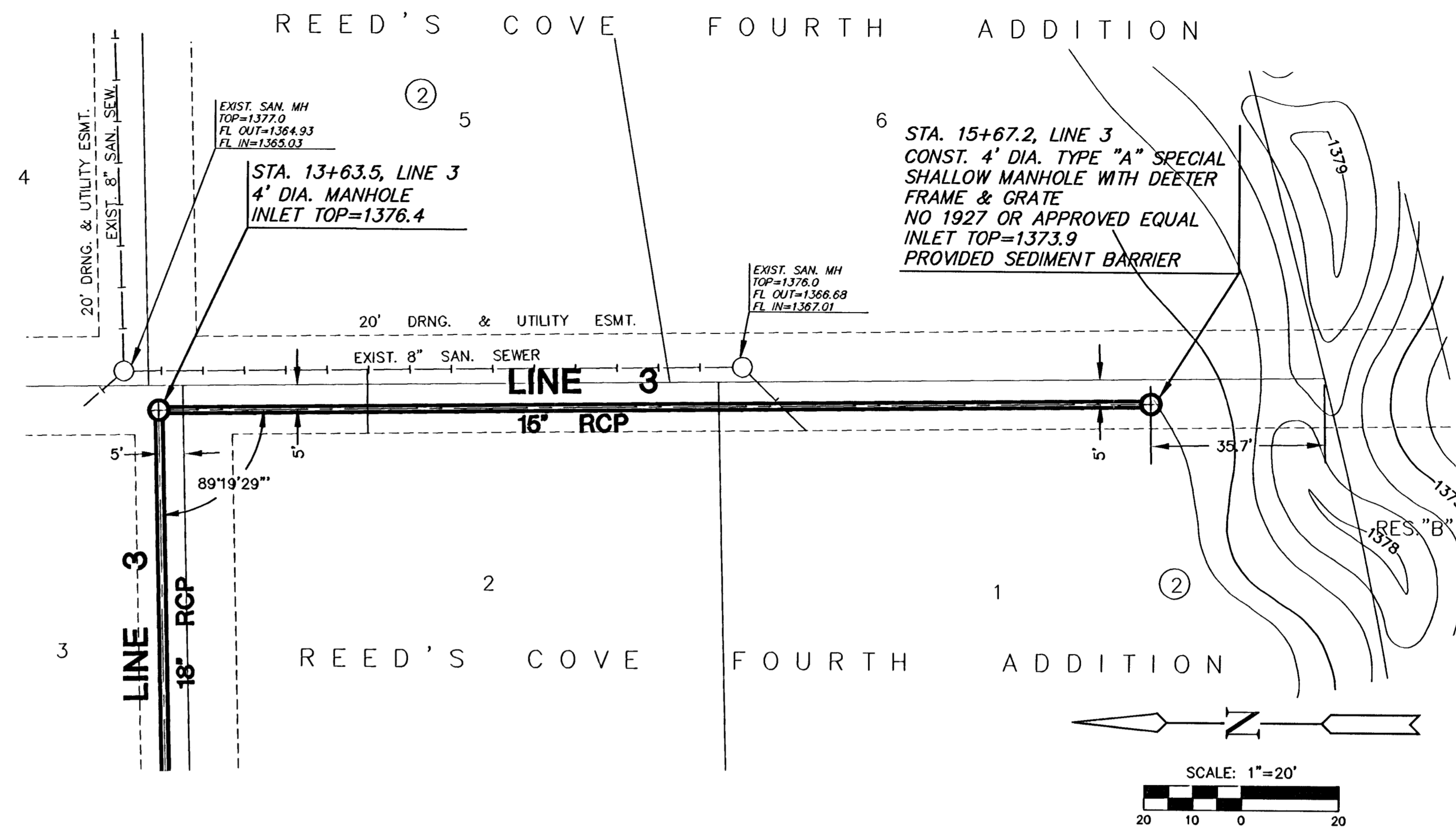
EXISTING SSMH  
MH TOP=1363.9  
FL IN=1351.01  
FL OUT=1350.91



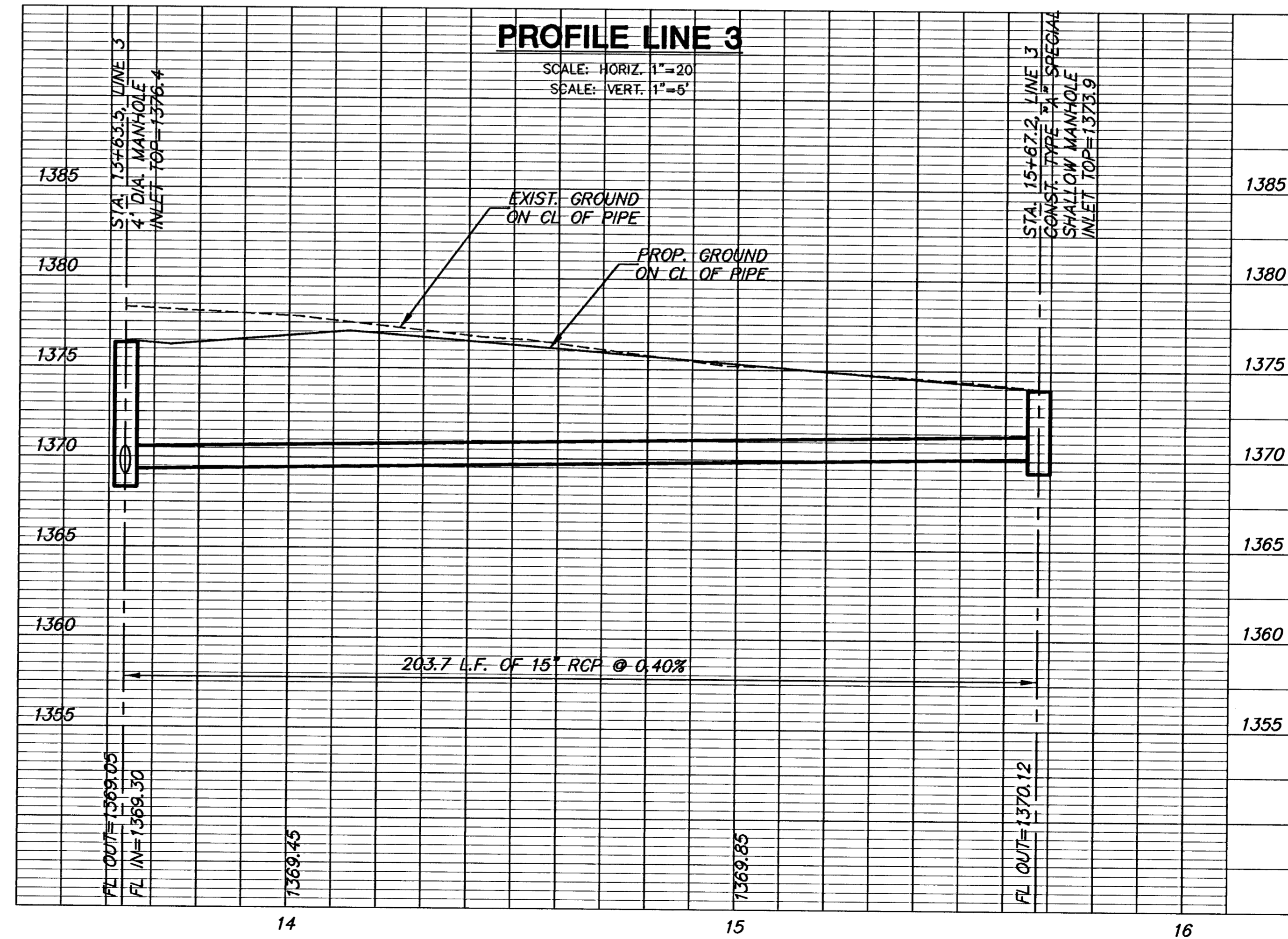
SECTION A-A



LOCATION MAP  
SCALE: NONE



PLAN LINE 3



PROFILE LINE 3

**MKEC**  
ENGINEERING  
CONSULTANTS, INC.  
411 N. WEBB ROAD  
WICHITA, KS. 67206  
316-684-9600

PAVING STREETS & INCIDENTAL DRAINAGE  
**REED'S COVE 4TH ADDITION**  
WICHITA KANSAS

**STORM LINE 3**  
SHEET TITLE  
PROJECT NUMBER 02121

DESIGN BY SRS  
DRAWN BY BFL  
CHECKED BY GJA

ISSUED MARCH 2006  
REVISED

SHEET NO.  
**18 of 33**

PL01702, Wednesday, March 15, 2006 @ 01:28PM

H:\LOCAL\02121 4th Addition\SMS\02121.DWG