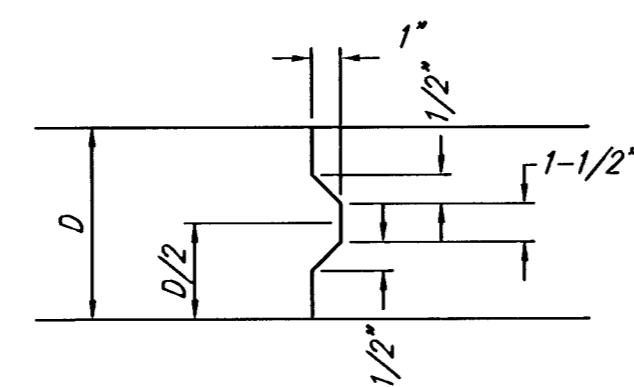
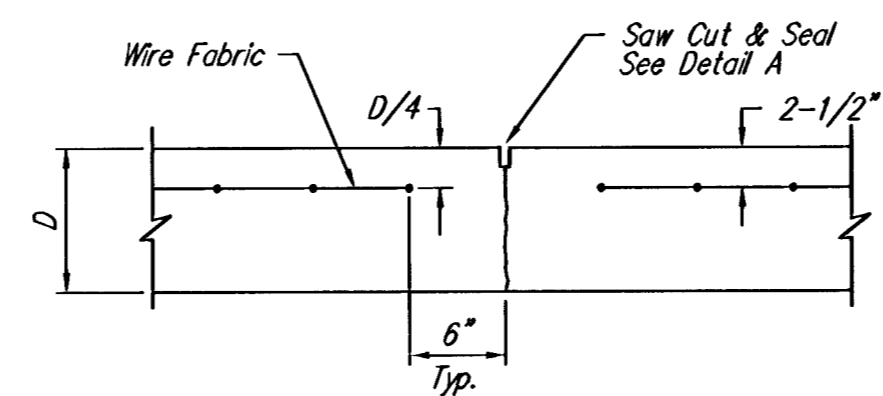


EXPANSION JOINT

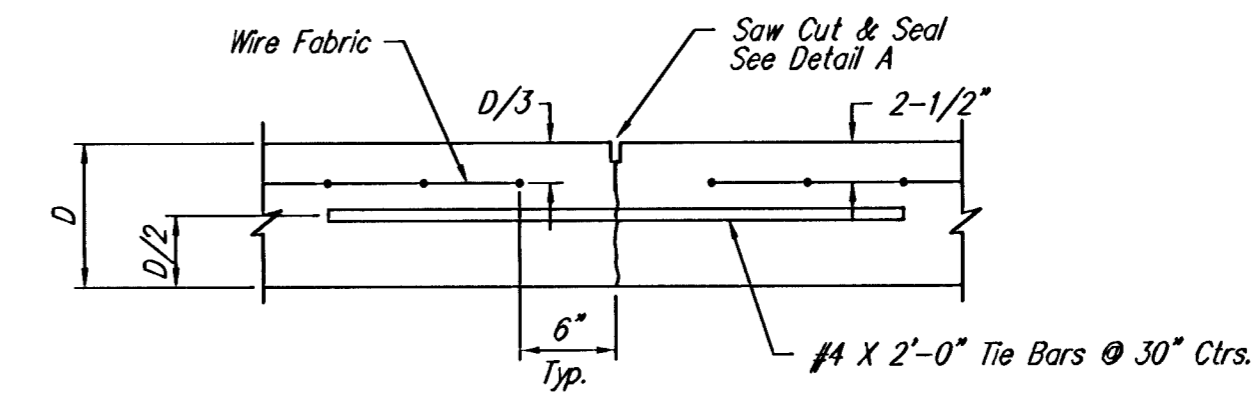
NOTE: Extra Thickness to be Subsidiary to Price of Square Yards Pavement



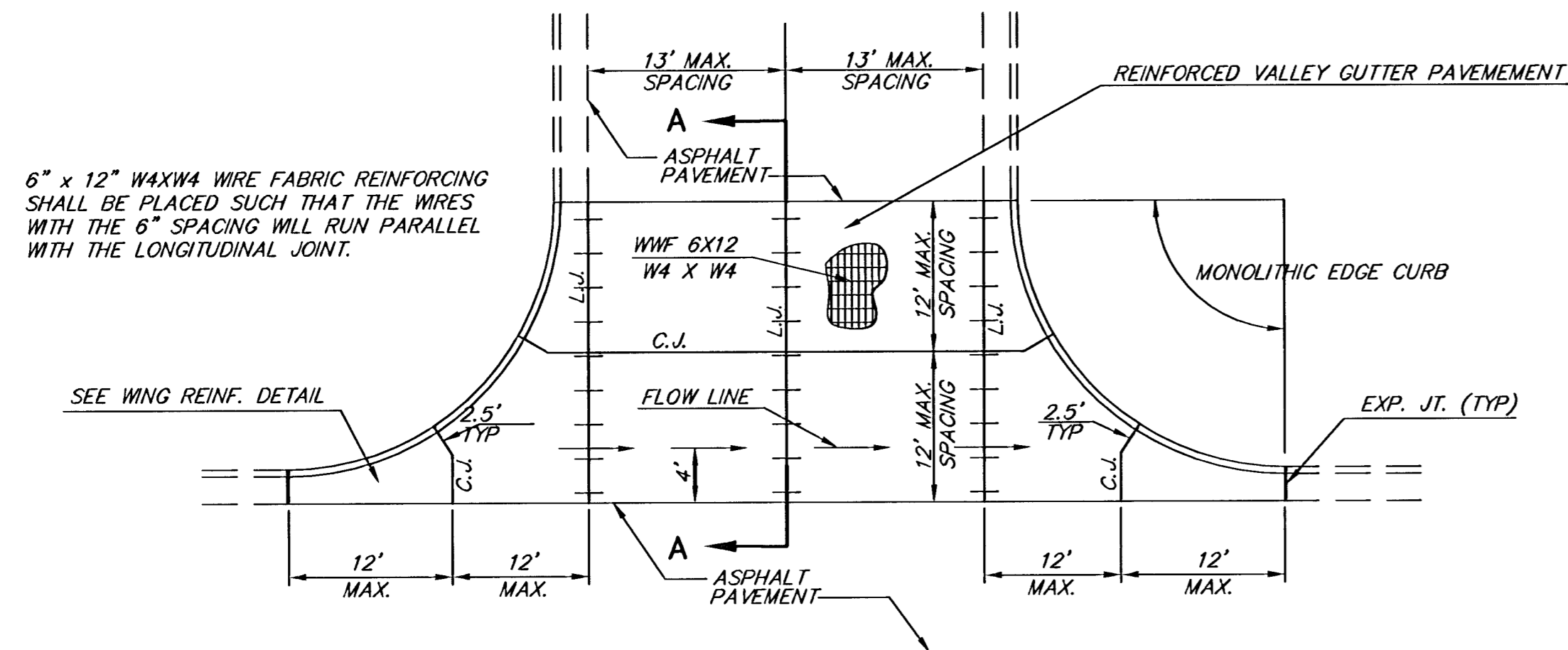
KEYWAY DETAIL



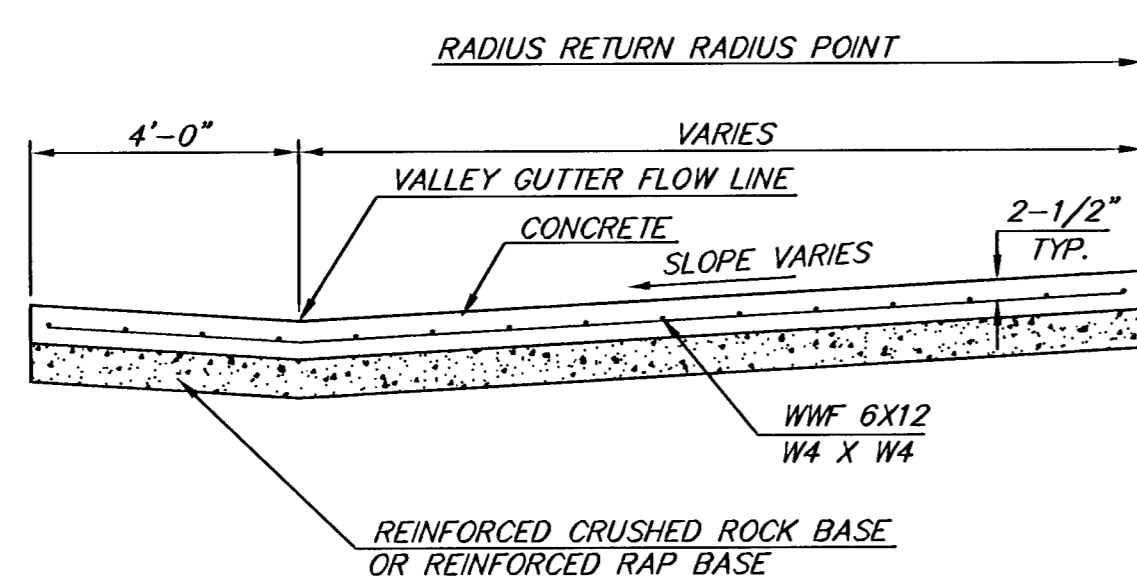
CONTRACTION JOINT DETAIL (C.J.)



LONGITUDINAL JOINT DETAIL (L.J.)

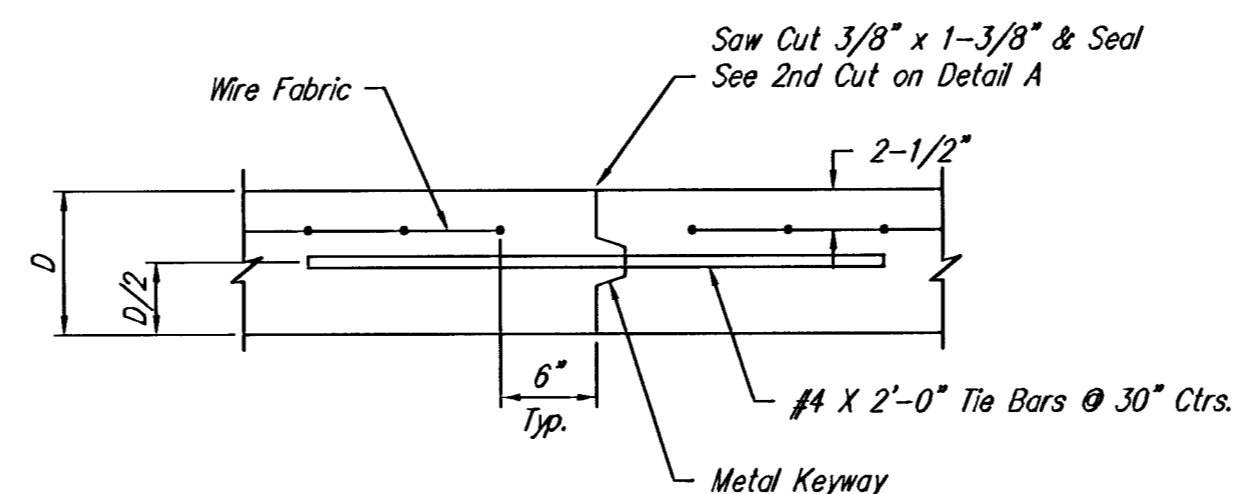


PLAN

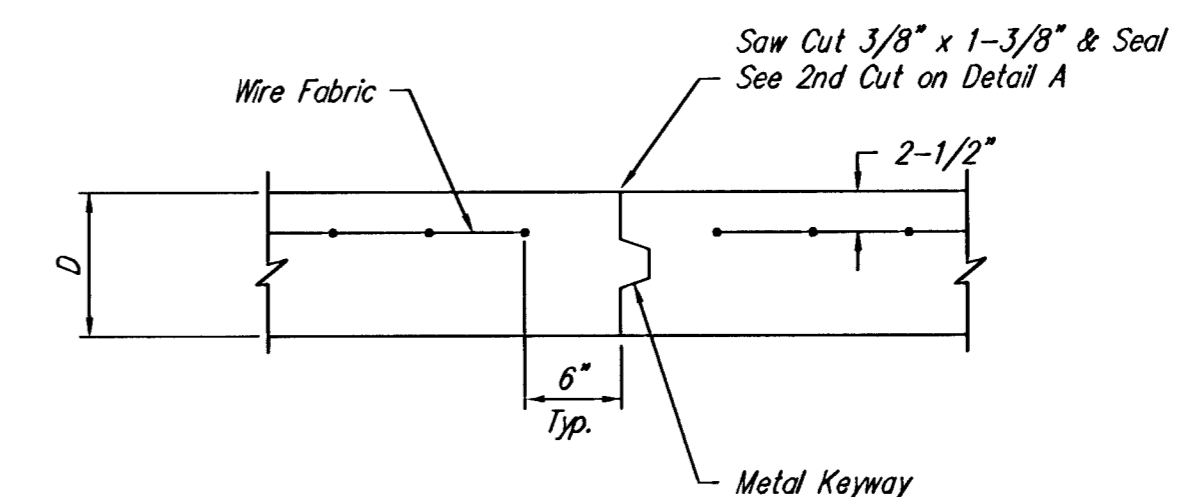


SECTION A-A

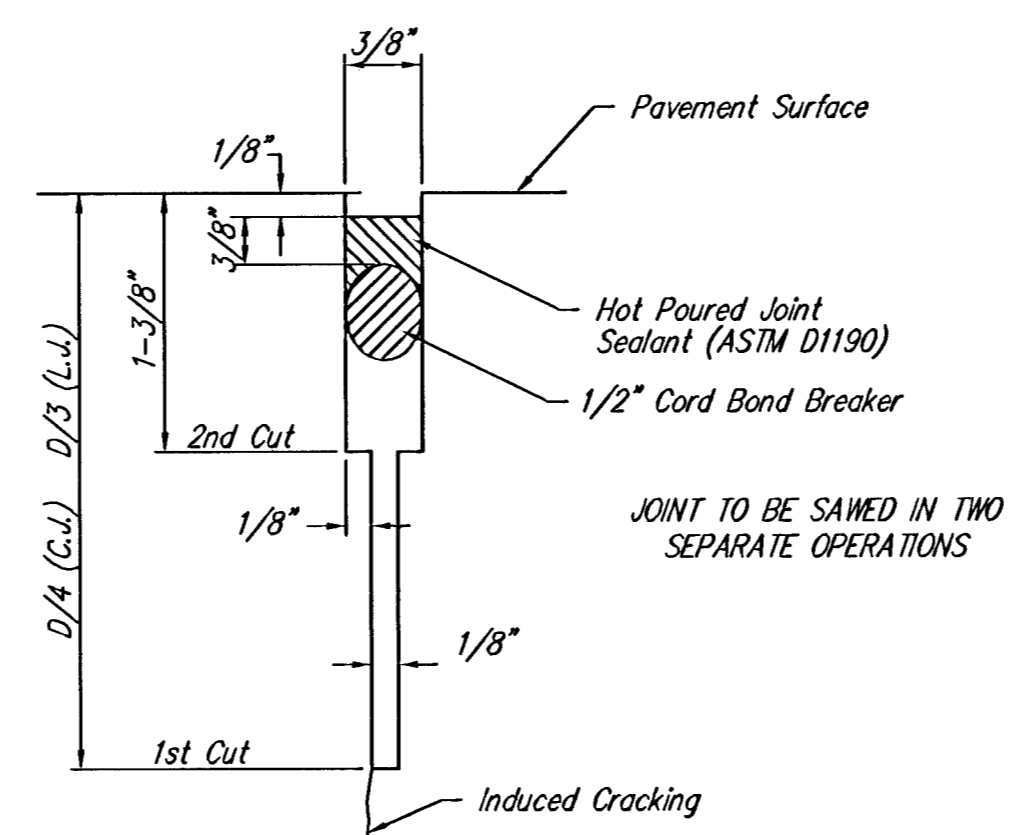
REINFORCED VALLEY GUTTER DETAIL



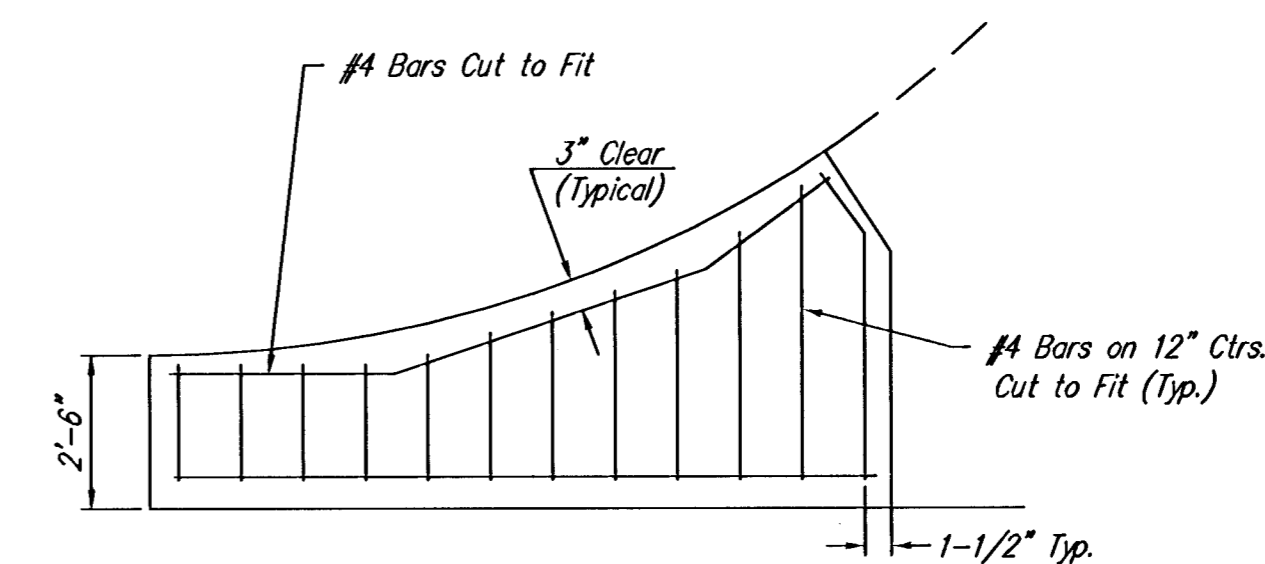
OPTIONAL LONGITUDINAL JOINT DETAIL (L.J.)



OPTIONAL CONTRACTION JOINT



SAW JOINT DETAIL



WING REINFORCING DETAIL

J:\CIVIL\04394\DWG\PAV\04394ED2

THE CITY OF WICHITA

 CITY ENGINEER'S OFFICE
 CITY HALL - SEVENTH FLOOR
 455 NORTH MAIN STREET
 WICHITA, KANSAS 67202
 (316) 268-2501
 (316) 268-4114 FAX

VALLEY GUTTER DETAILS	
JIM ARMOUR, P.E. - CITY ENGINEER	
PROJECT NUMBER 472-84201	INDEX CODE 765939
DATE AUGUST 2005	SHEET NUMBER 4 / 34