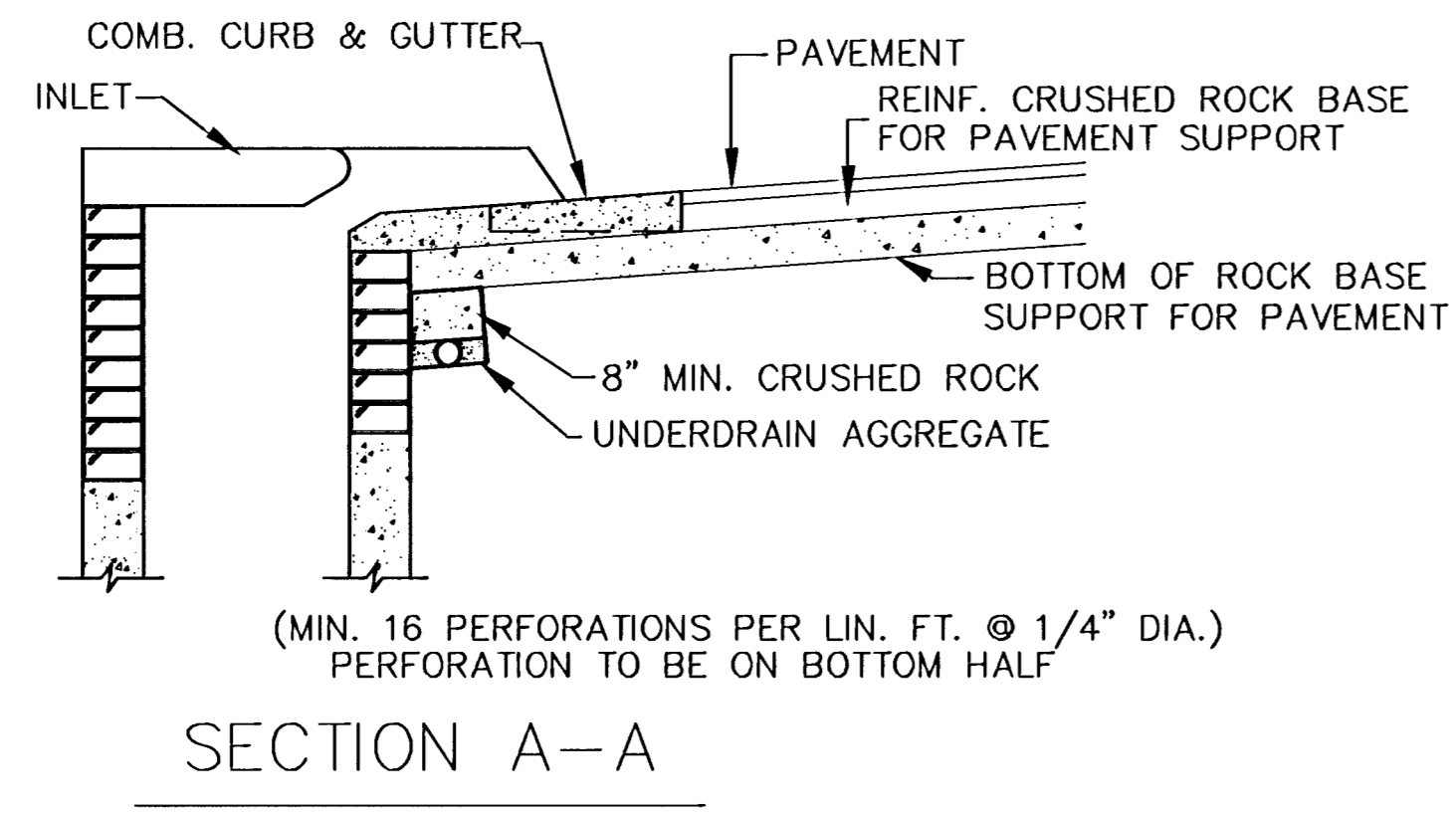


* UNDERDRAIN AGGREGATE PERCENT OF AGGREGATE RETAINED

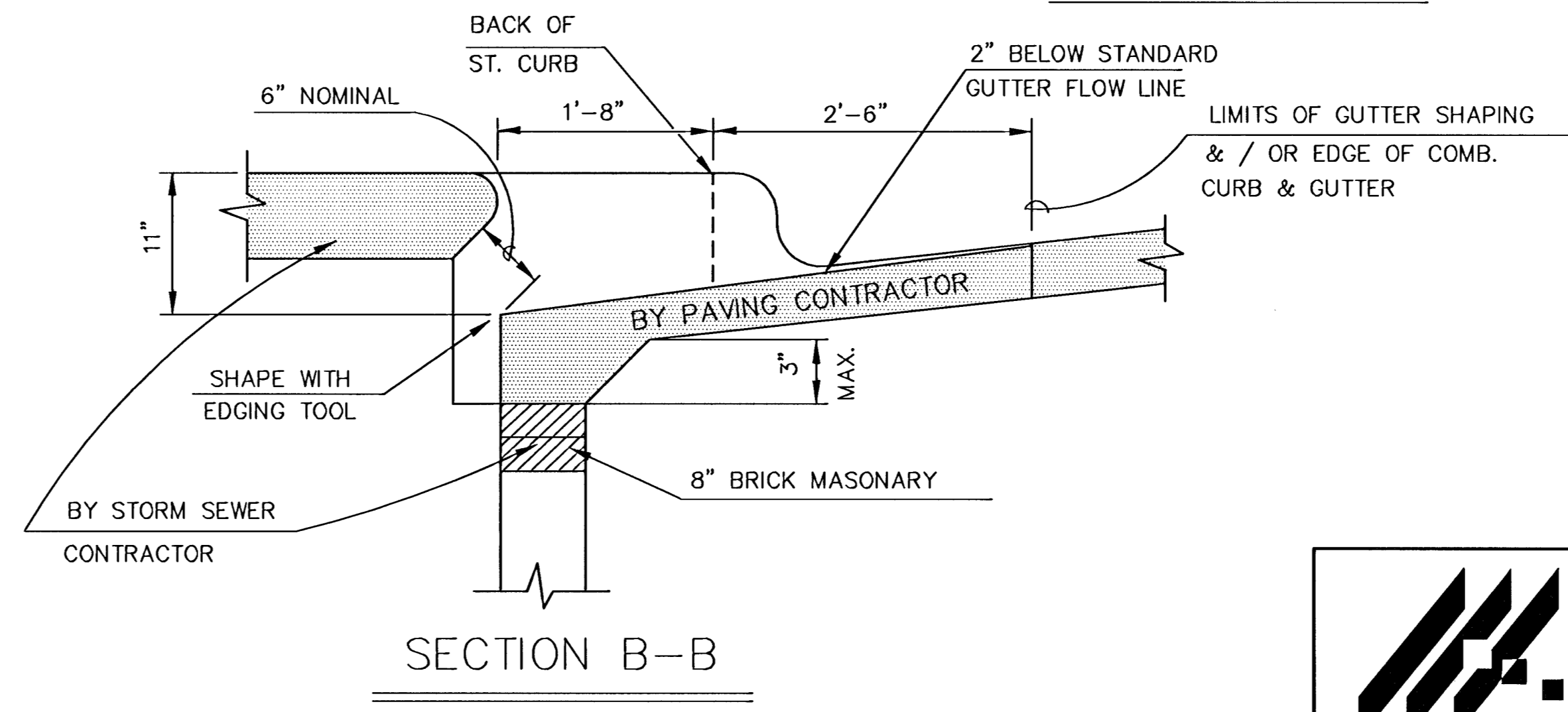
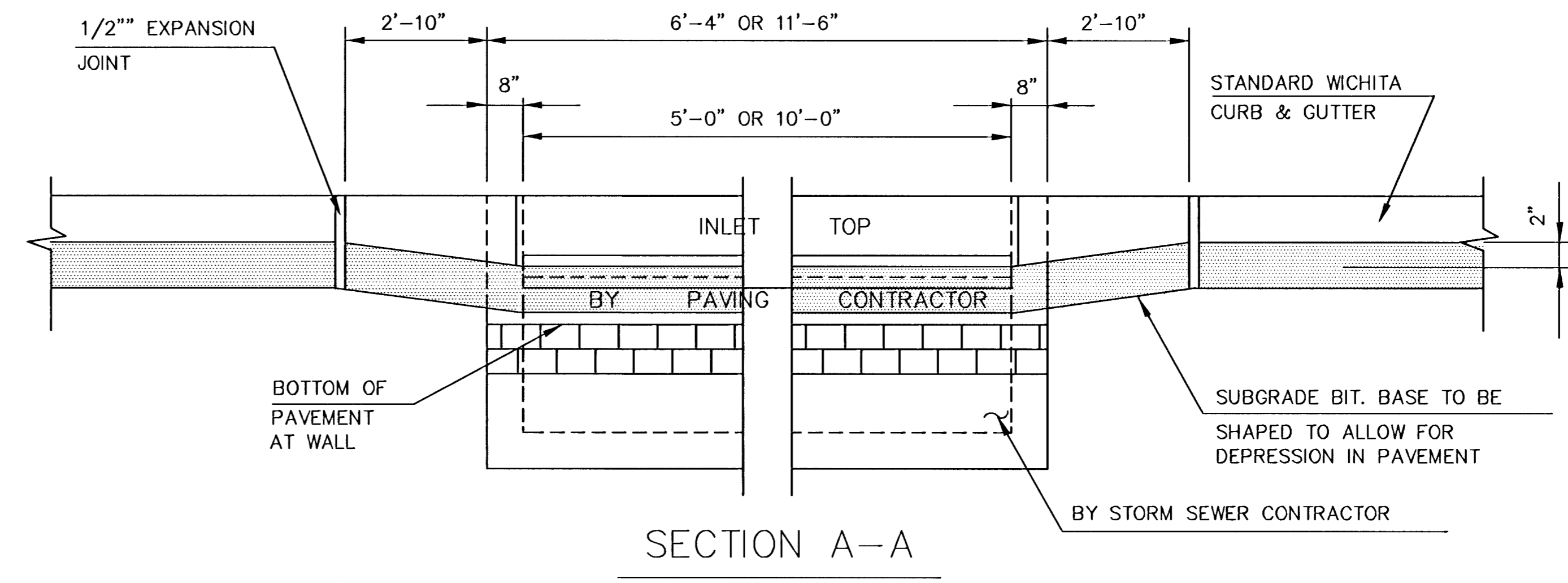
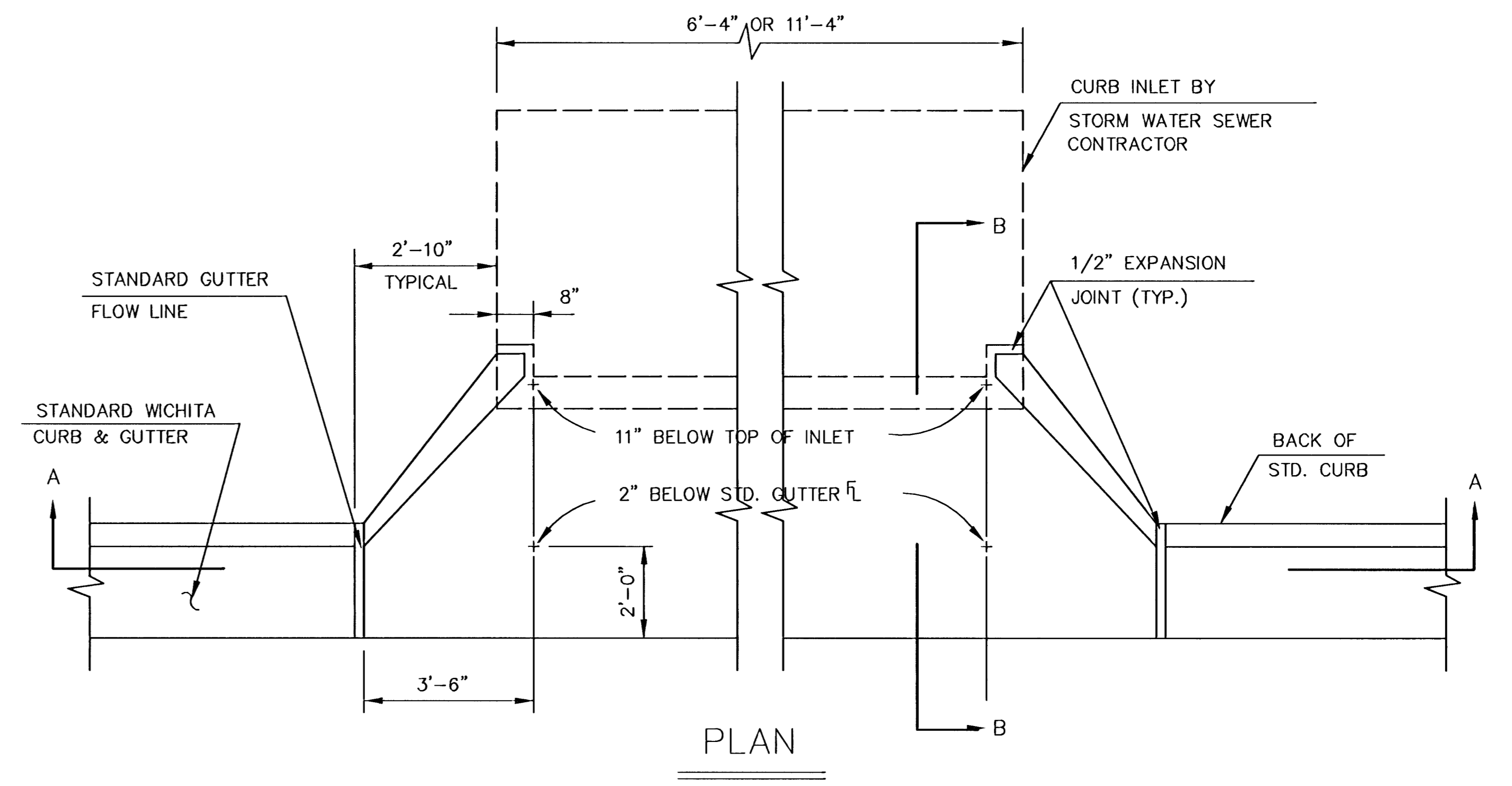
1"	0
3/4"	0 to 10
3/8"	45 to 80
#4	90 to 100
#8	95 to 100

ROCK QUALITY SHALL CONFORM TO THE REQUIREMENTS SPECIFIED BY K.D.O.T. 1990 EDITION STANDARD SPECIFICATION SUBSECTION 1102 FOR DURABILITY CLASS 1.



NOTE: PLACE 4" PVC PERFORATED PIPE AT ALL DRAINAGE SUMP LOCATIONS. COST OF UNDERDRAIN SYSTEM TO BE INCIDENTAL TO THE REINFORCED CRUSHED ROCK SUBGRADE. INLET TYPE MAY VARY FROM THAT SHOWN.

PAVEMENT UNDERDRAIN DETAIL



TYPE 1A INLET HOOKUP
(BY PAVING CONTRACTOR)

GENERAL NOTES

1. USE THE CONCRETE MIX SPECIFIED FOR CITY OF WICHITA CONCRETE PAVEMENT. ALL EXPOSED EDGES SHALL BE FINISHED WITH AN EDGING TOOL.
2. TYPE 1A INLET HOOKUP WILL BE PAID EACH REGARDLESS OF SIZE.
3. ADDITIONAL CURB & GUTTER CONSTRUCTION NECESSARY TO CONNECT SET BACK INLET TO PAVEMENT WILL BE PAID FOR AT THE UNIT PRICE BID FOR EACH INLET

NORTH RIDGE VILLAGE ADDITION
PROJECT NAME

INLET HOOKUP & UNDERDRAIN DETAIL
SHEET TITLE

DESIGN BY: MKEC DRAWN BY: KWS CHECKED BY: MAB

DATE: JANUARY 2006 JOB NO.: 04394 SHEET/OF: 8 / 34

411 N. WEBB ROAD
WICHITA, KS. 67206
316-684-9600

J:\CIVIL\04394\DWG\PAV\04394ED06.DWG