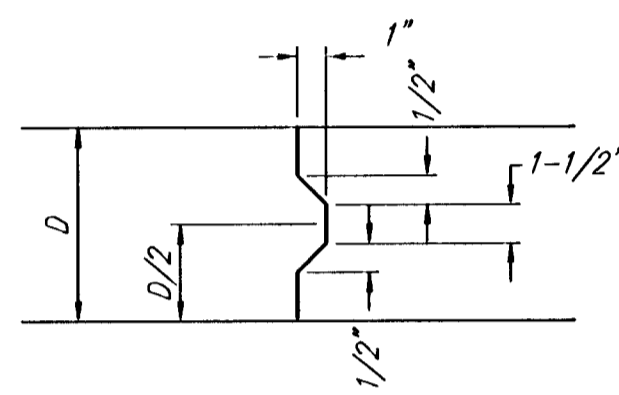
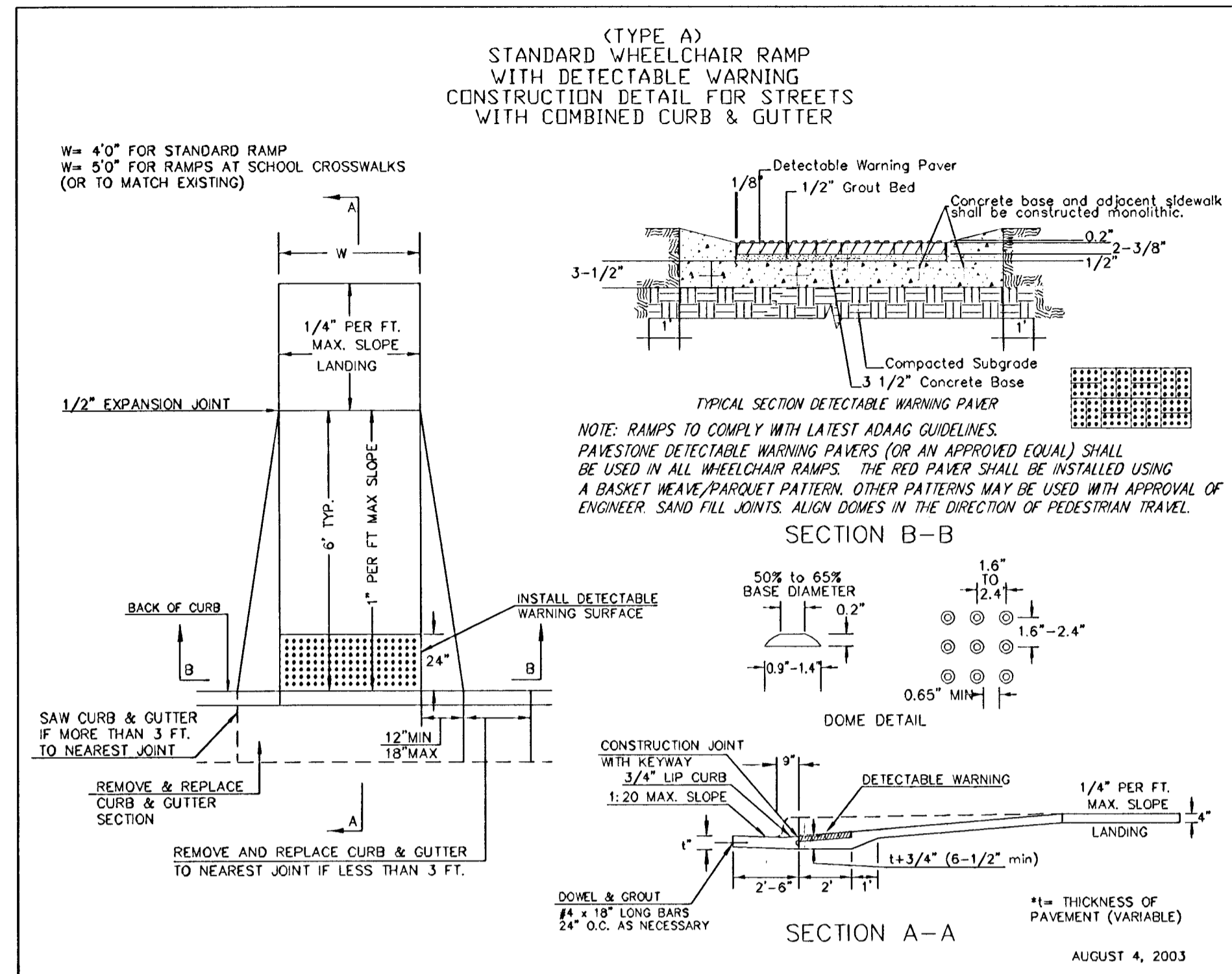


**EXPANSION JOINT**

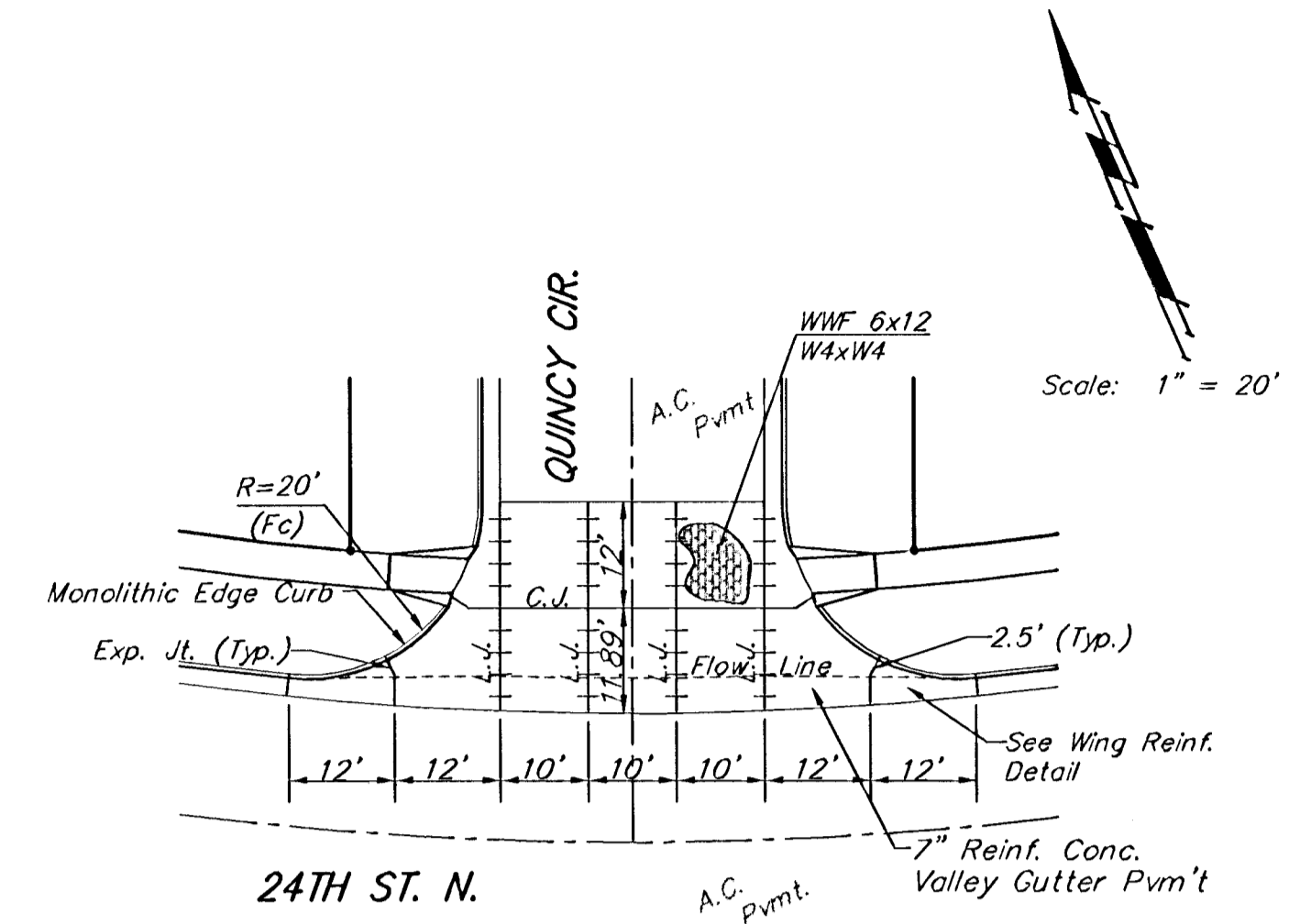
NOTE: Extra Thickness to be Subsidiary to Price of Square Yards Pavement



**KEYWAY DETAIL**



**WHEELCHAIR RAMP DETAIL**

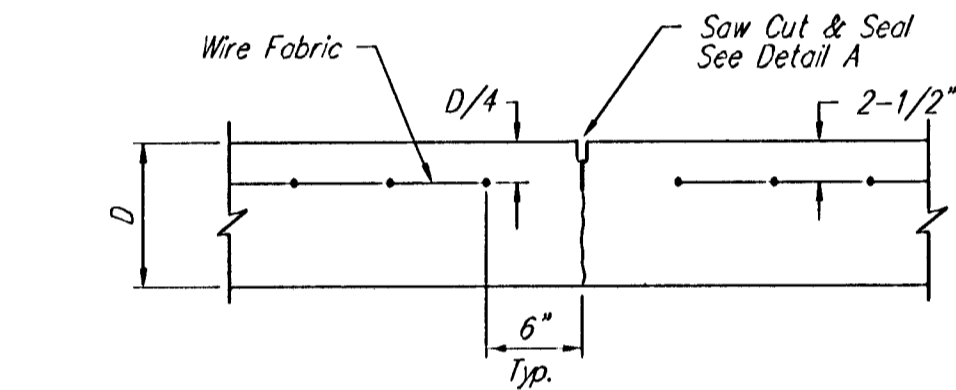


Scale: 1" = 20'

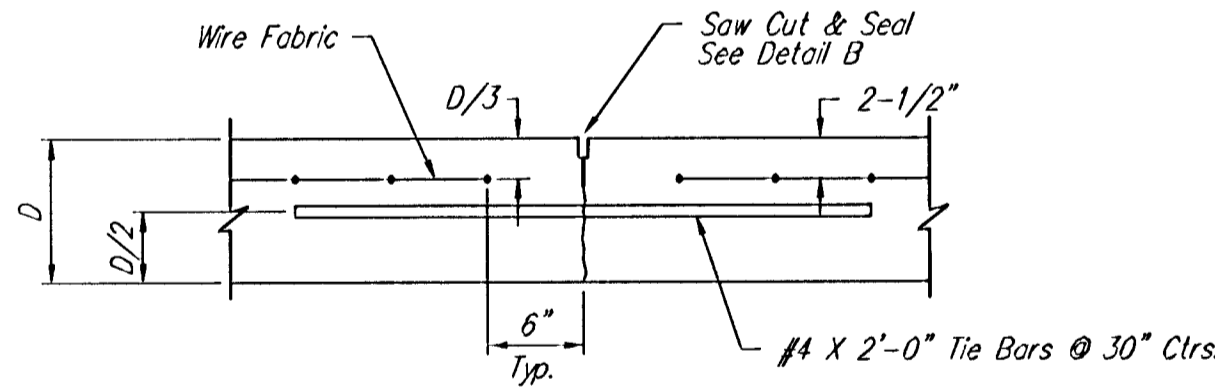
Scale: 1" = 20'

Scale: 1" = 20'

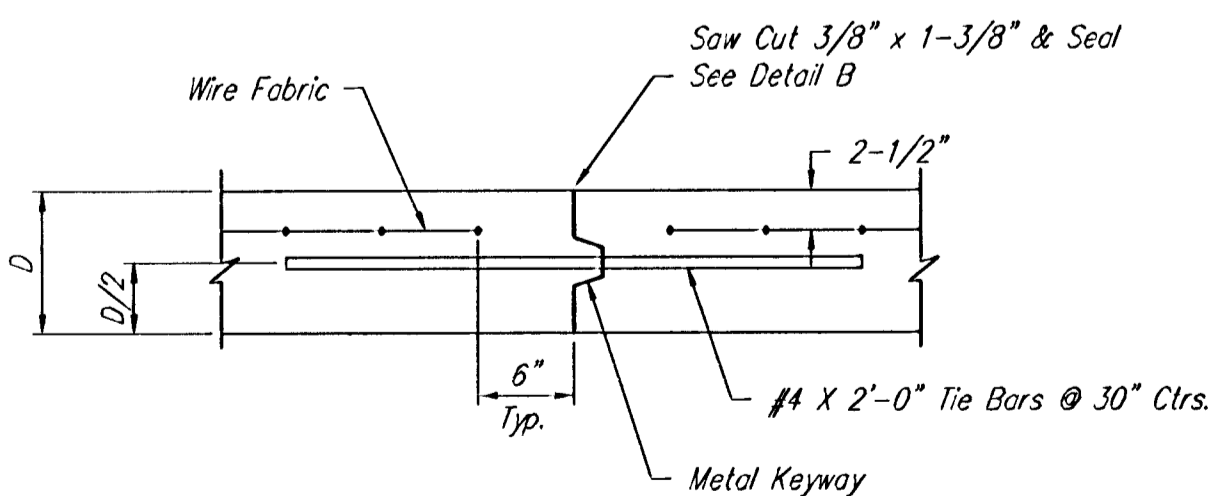
Scale: 1" = 20'



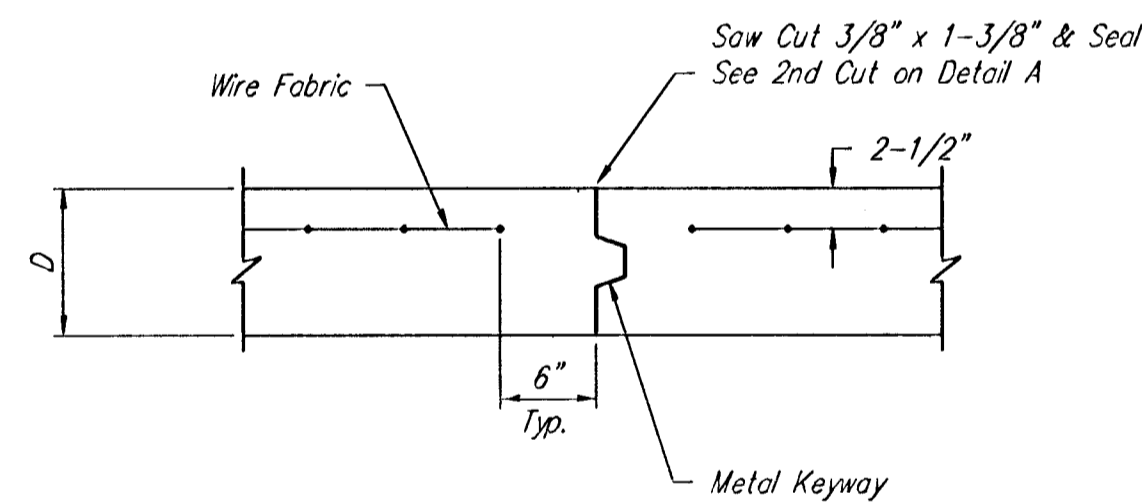
**CONTRACTION JOINT DETAIL (C.J.)**



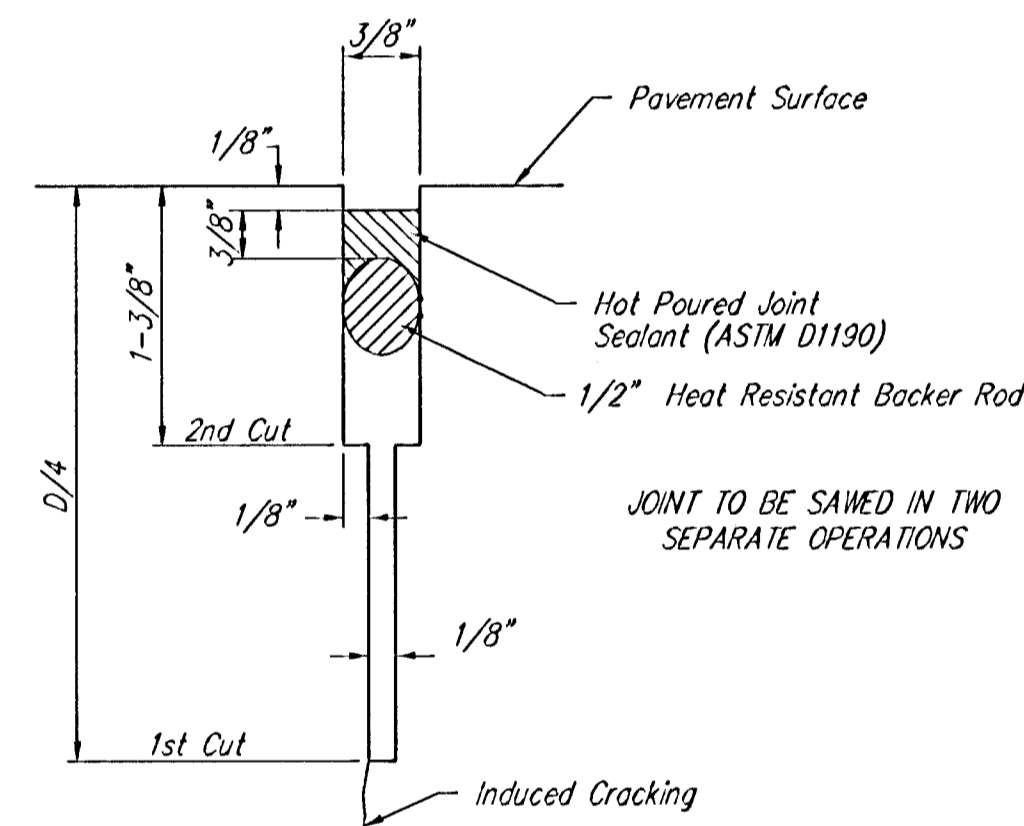
**LONGITUDINAL JOINT DETAIL (L.J.)**



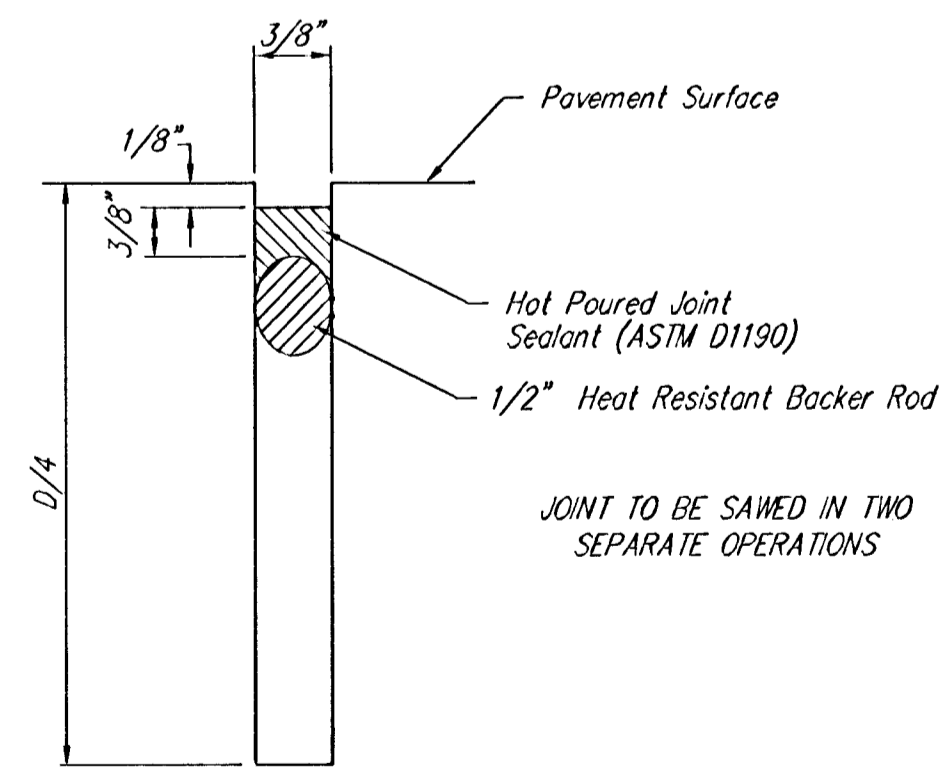
**OPTIONAL LONGITUDINAL JOINT DETAIL (L.J.) (CONSTRUCTION JOINT)**



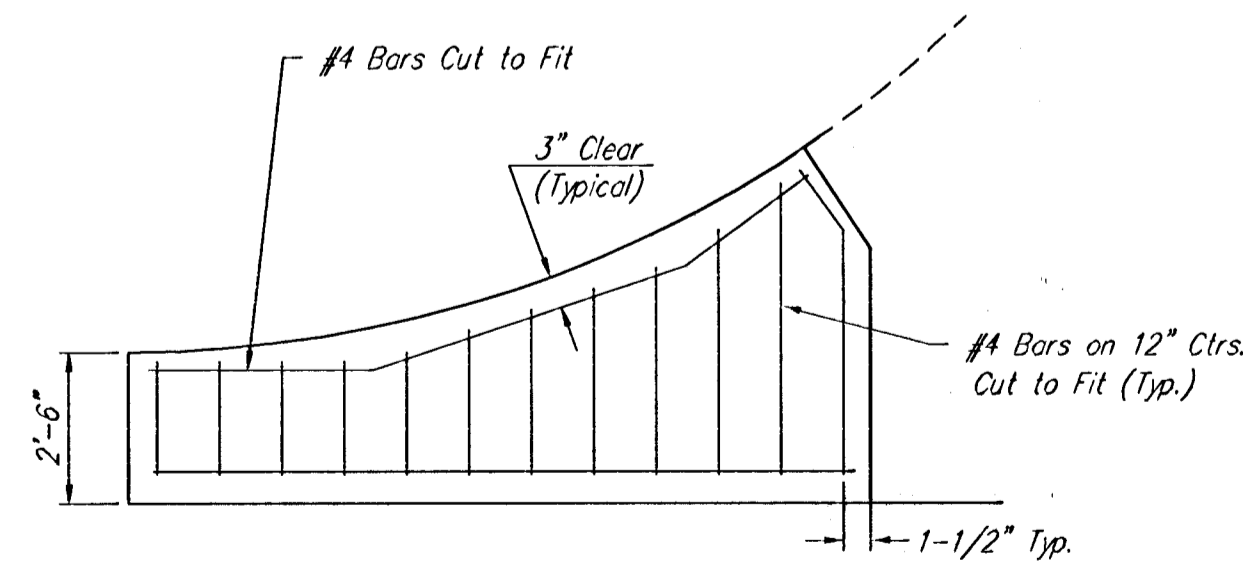
**OPTIONAL CONTRACTION JOINT (CONSTRUCTION JOINT)**



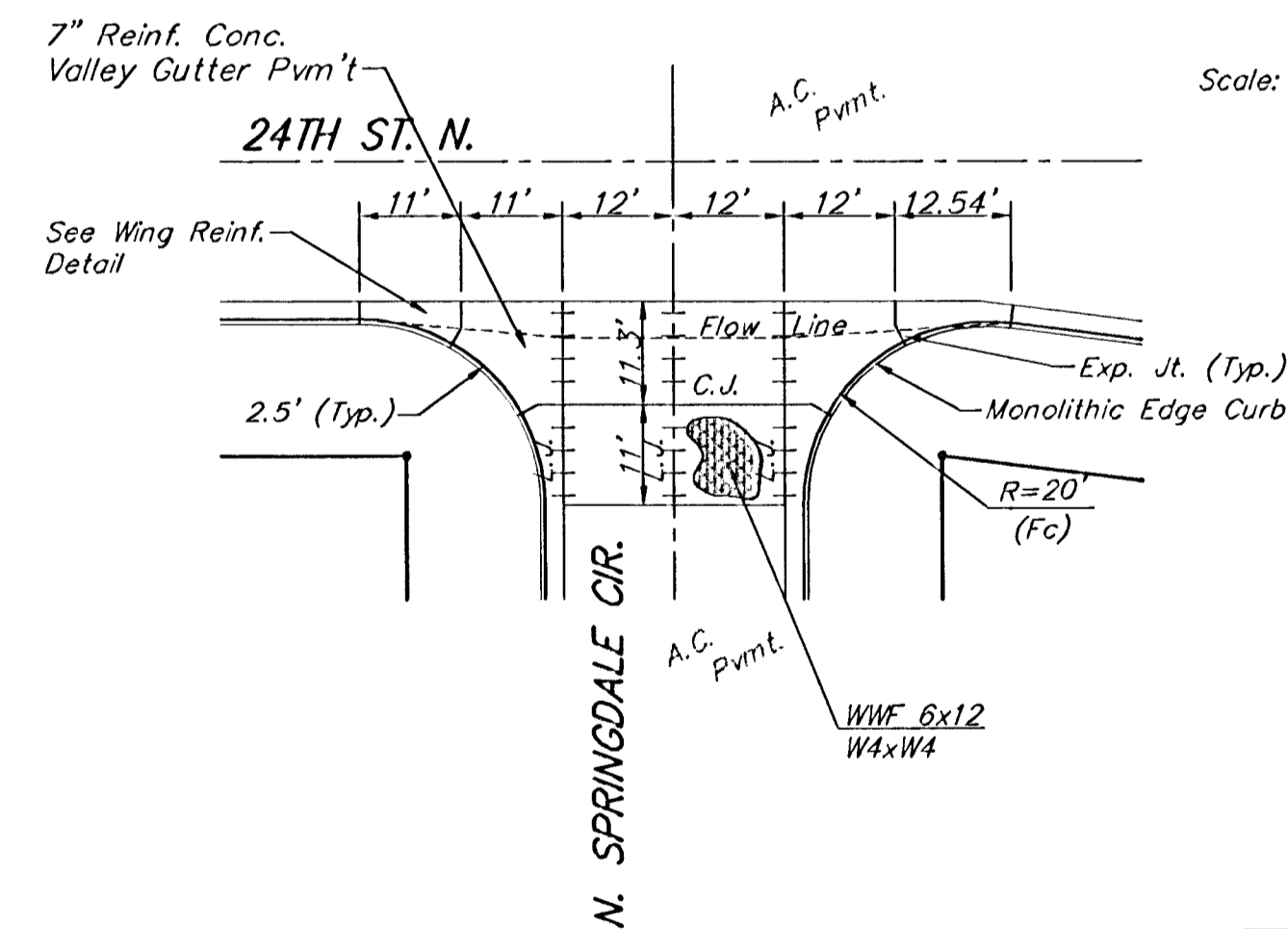
**SAW JOINT DETAIL "A"**



**SAW JOINT DETAIL "B"**



**WING REINFORCING DETAIL**



Scale: 1" = 20'

NOTE: 6" X 12" W4XW4 Wire Fabric Reinforcing Shall Be Placed So That The Wires With The 6" Spacing Will Run Parallel With The Longitudinal Joints.

		KRUG NORTH 2ND ADD. - PH. IV	
		<b>VALLEY GUTTER DETAILS</b>	
Baughman Company, P.A. 315 Ellis St. Wilkes-Barre, PA 18701 P 316-262-7271 F 316-262-0149 ENGINEERING   SURVEYING   PLANNING   LANDSCAPE ARCHITECTURE		DESIGN	DRAWN
PROJECT NUMBER	472-84250	STAFF	STAFF
REVISIONS		APPROVED	DATE
			04/06
		SCALE	NONE
		SHEET	5 OF 35