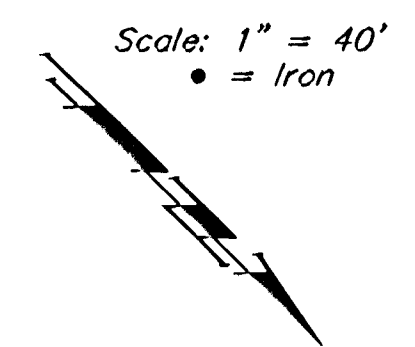
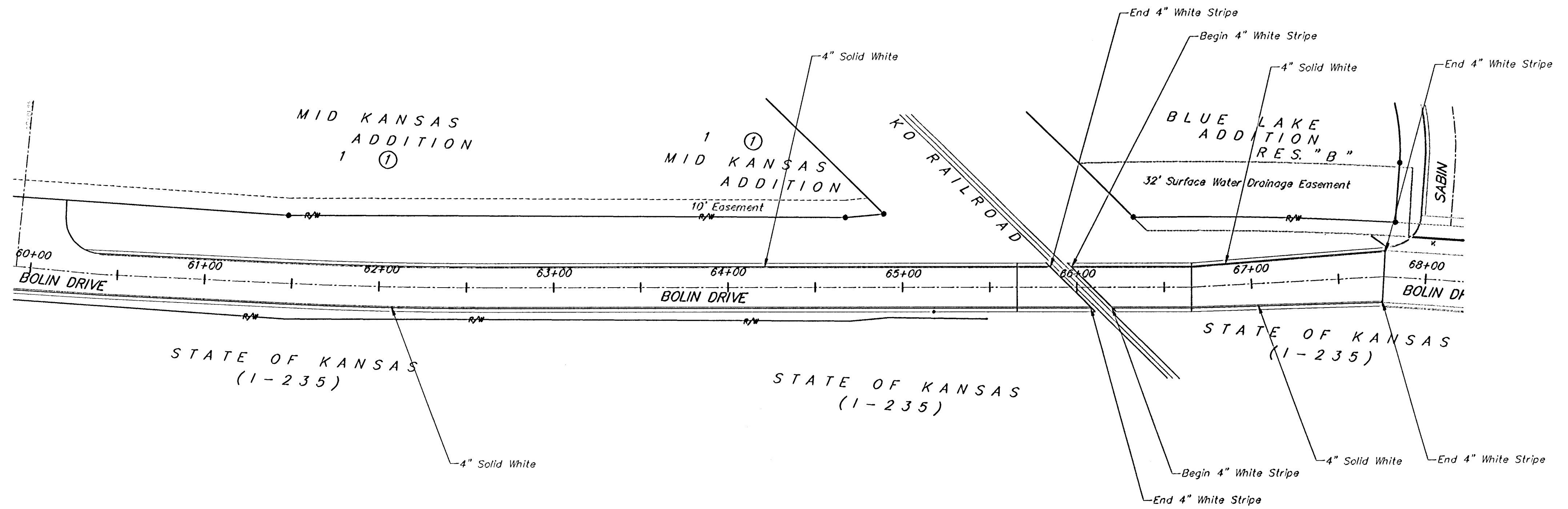
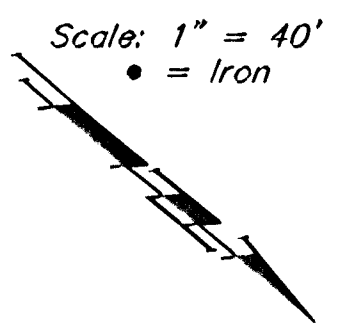
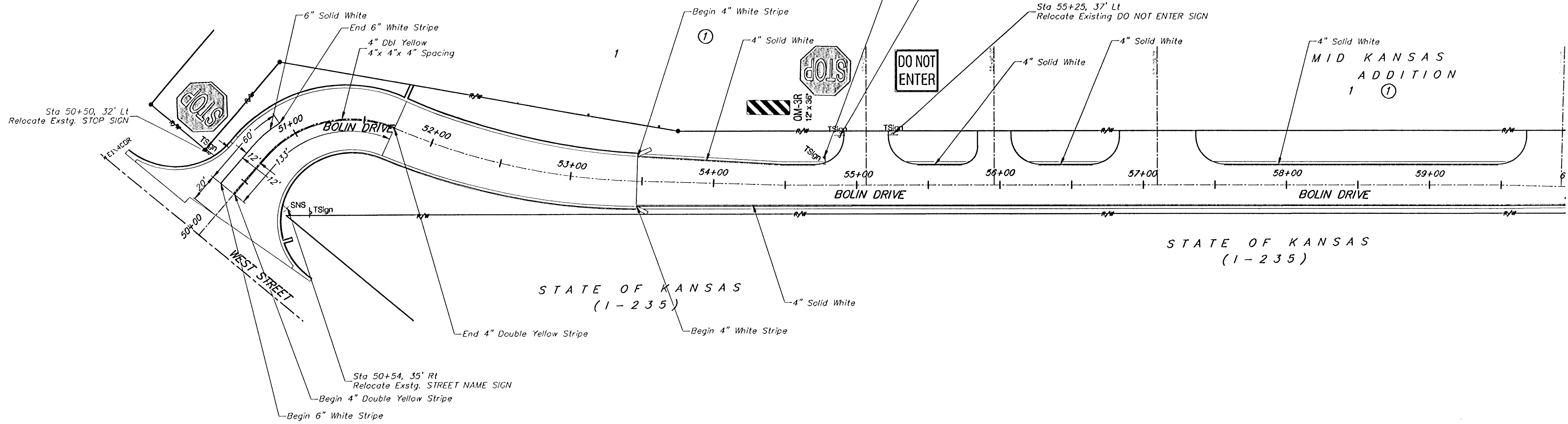


Benchmarks:
 City of Wichita Benchmark located at the NE Corner of West Street and MacArthur (39th St. South)
 Elevation = 99.46 (City Datum)
 City of Wichita Benchmark located at West Street and I-235 (Approx. 35th St. South) on NW Corner of RCBC, Top Corral Roll.
 Elevation = 104.78 (City Datum)



MARKING & SIGNING QUANTITIES
 (For Information Only)

270	LF	4" Yellow Stripe
60	LF	6" White Stripe
2550	LF	4" White Stripe
1	EA	OM-3R Traffic Sign
4	EA	Relocate Traffic Sign

	BLUE LAKE ADDITION Marking & Signing Street Improvements	
	<small>Baughman Company, P.A. 319 Elm St. Wichita, KS 67211 P 316-262-7071 F 316-262-0149 ENGINEERING SURVEYING PLANNING LANDSCAPE ARCHITECTURE</small>	
PROJECT NUMBER 47284078	DESIGN KK	DRAWN TCA
REVISIONS:	APPROVED JFB	DATE 04/06
SCALE Noted	SHEET 10 OF 18	
<small>E:\eng\Bolin Drive - Blue Lake Add\Bolin1_basomws.dwg</small>		<small>04-07-E005</small>