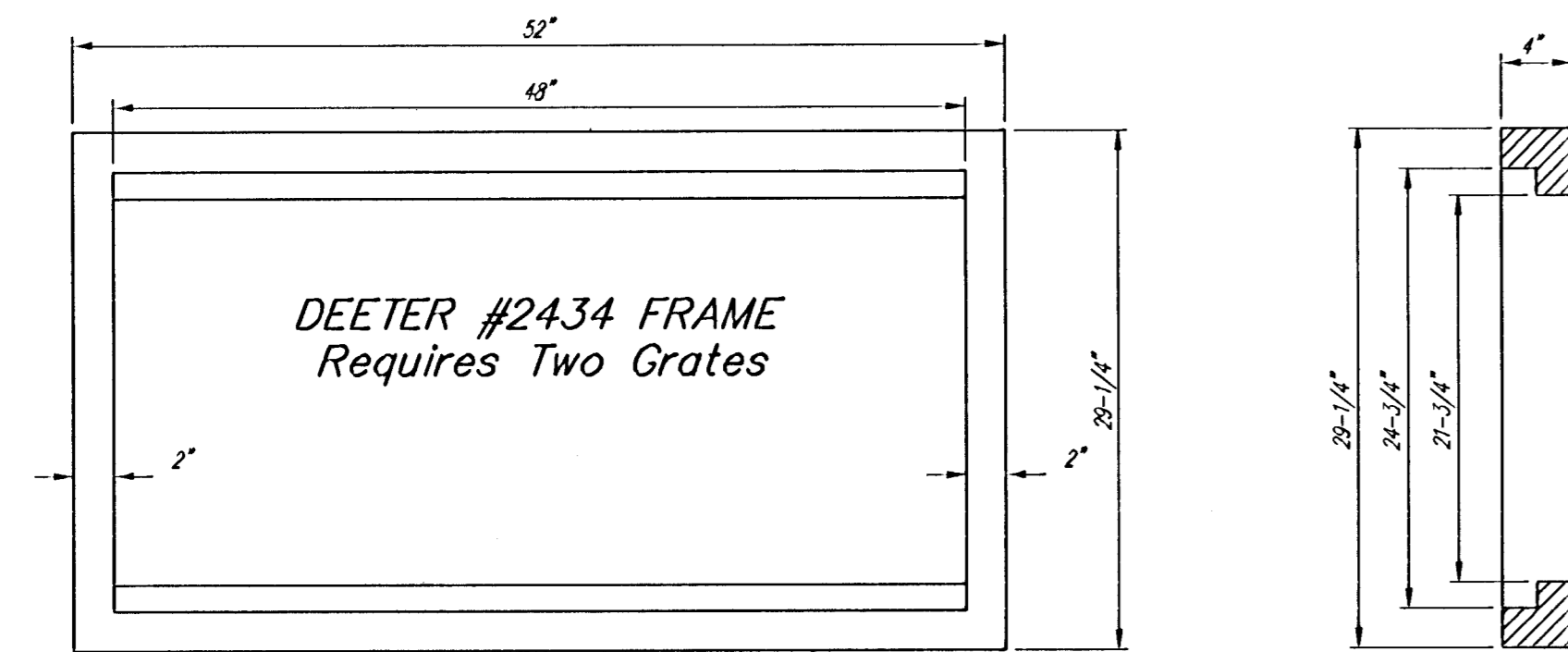


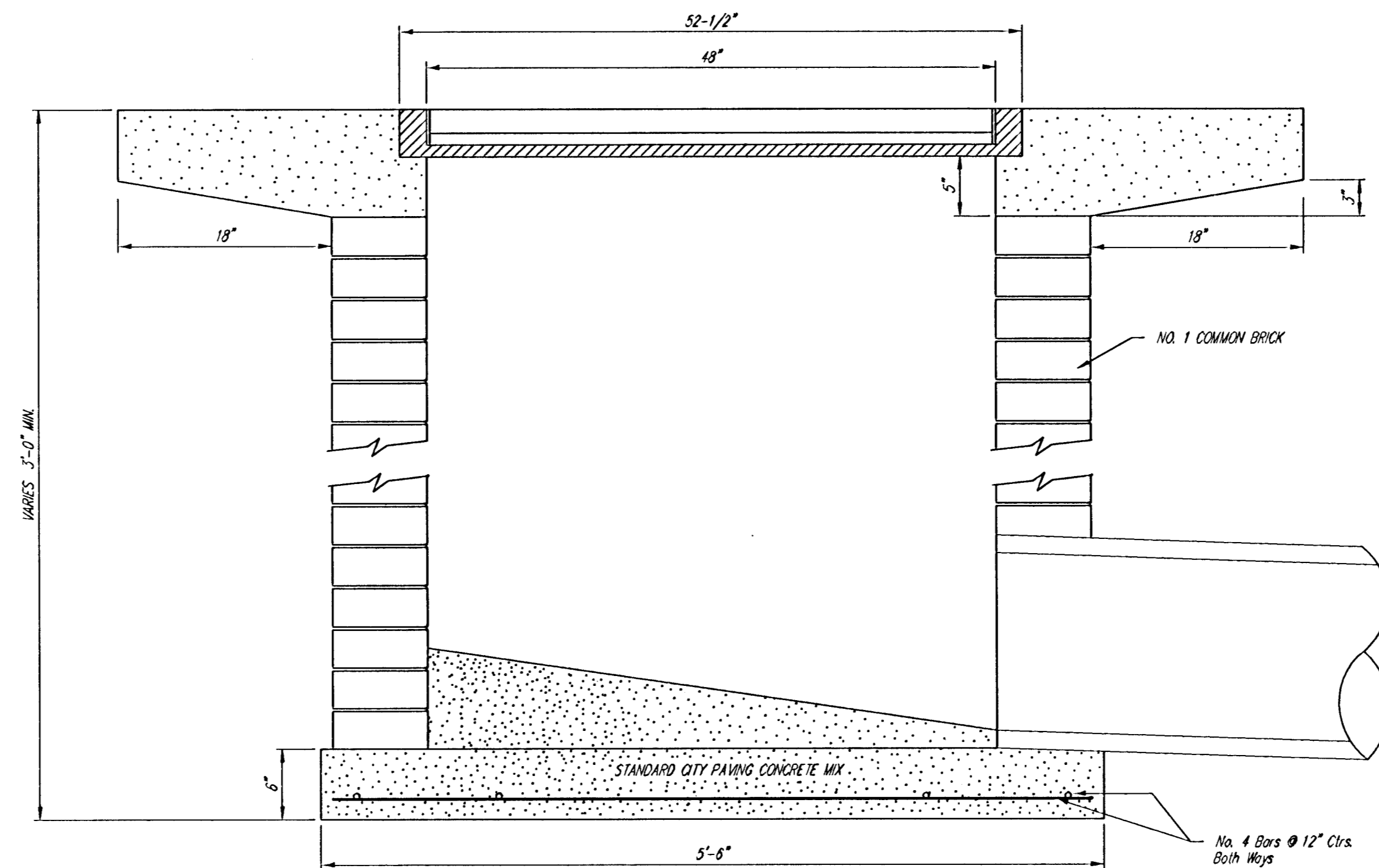
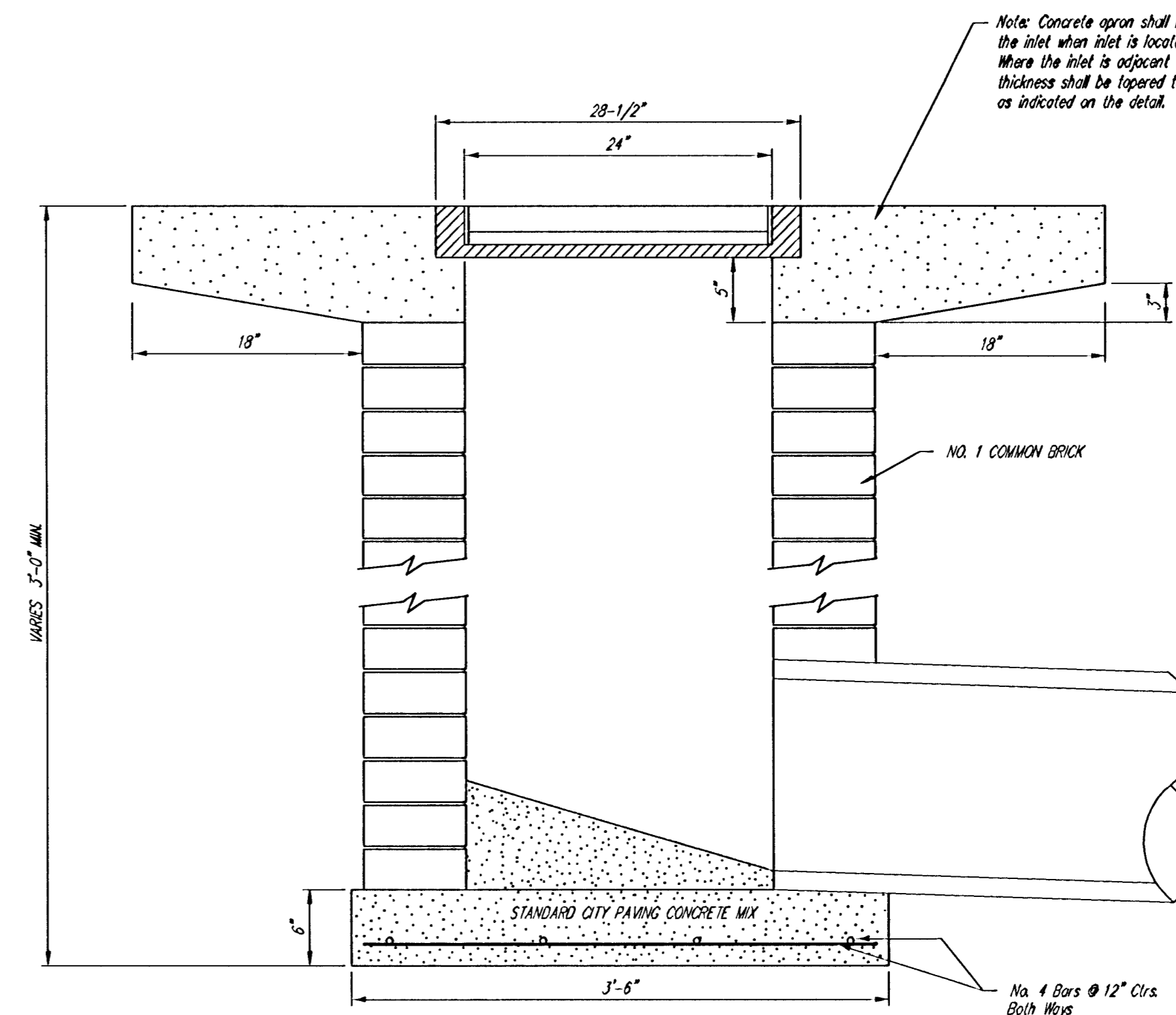
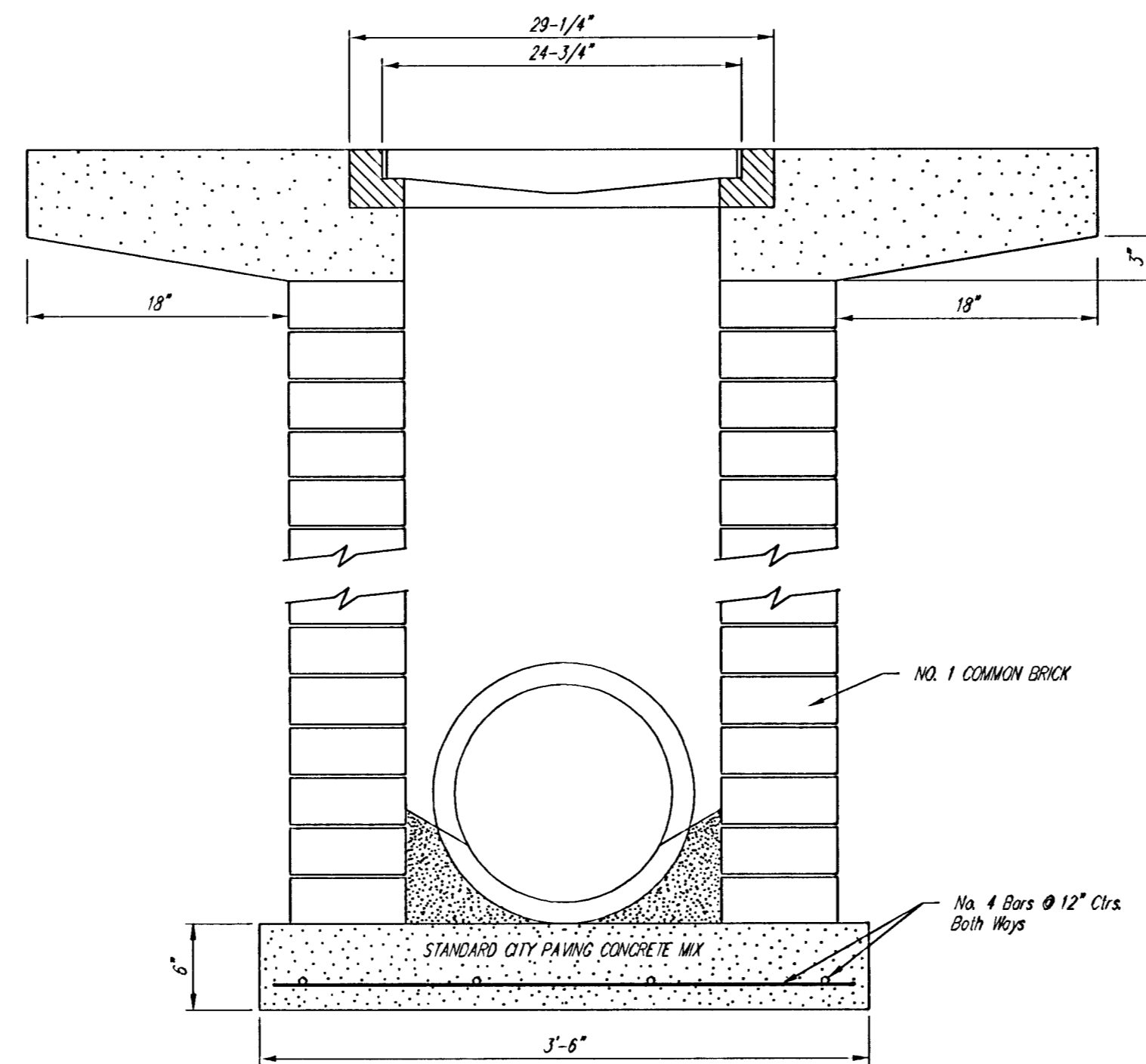
DEETER #2433 GRATE

24" x 24" Frame and Grate Detail

NOTE: Grates shall be imprinted on the top surface with "CITY OF WICHITA" using letters at least 1" in height. Other marking methods may be approved by the engineer.



Double 24" x 24" Frame Detail



	City of Wichita Standard	
	Drop Inlet Detail	
<small>Baughman Company, P.A. 315 Ellis St. Wichita, KS 67201 F 316-262-7771 F 316-262-0149 ENGINEERING SURVEYING PLANNING LANDSCAPE ARCHITECTURE</small>		
PROJECT NUMBER 472-83805	DESIGN C.O.W.	DRAWN Staff
REVISIONS:	APPROVED	DATE
SCALE None		SHEET 29 OF 34
<small>F:\Eng\Details\Sewer\DROPINT2.dwg</small>		