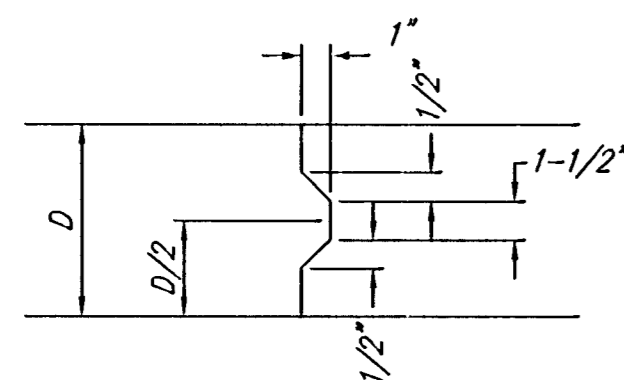
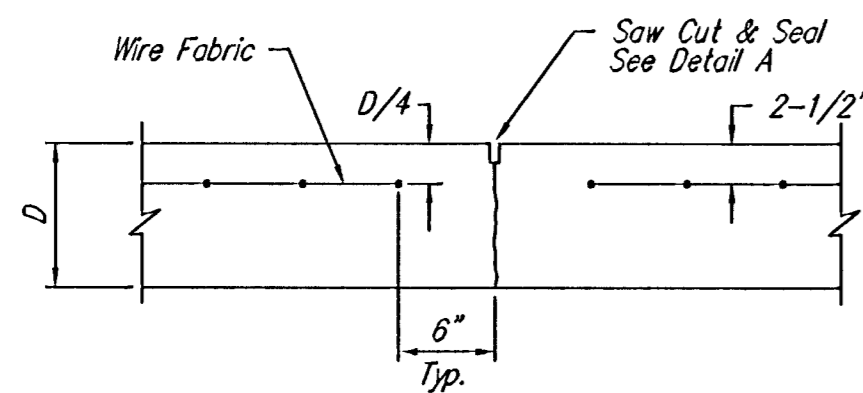


EXPANSION JOINT

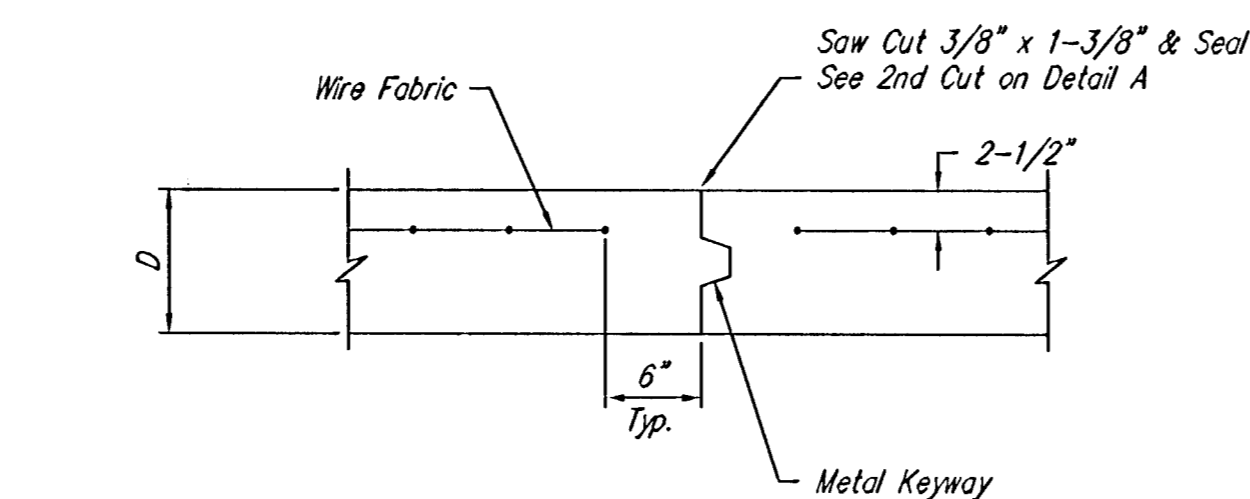
NOTE: Extra Thickness to be Subsidiary to Price of Square Yards Pavement



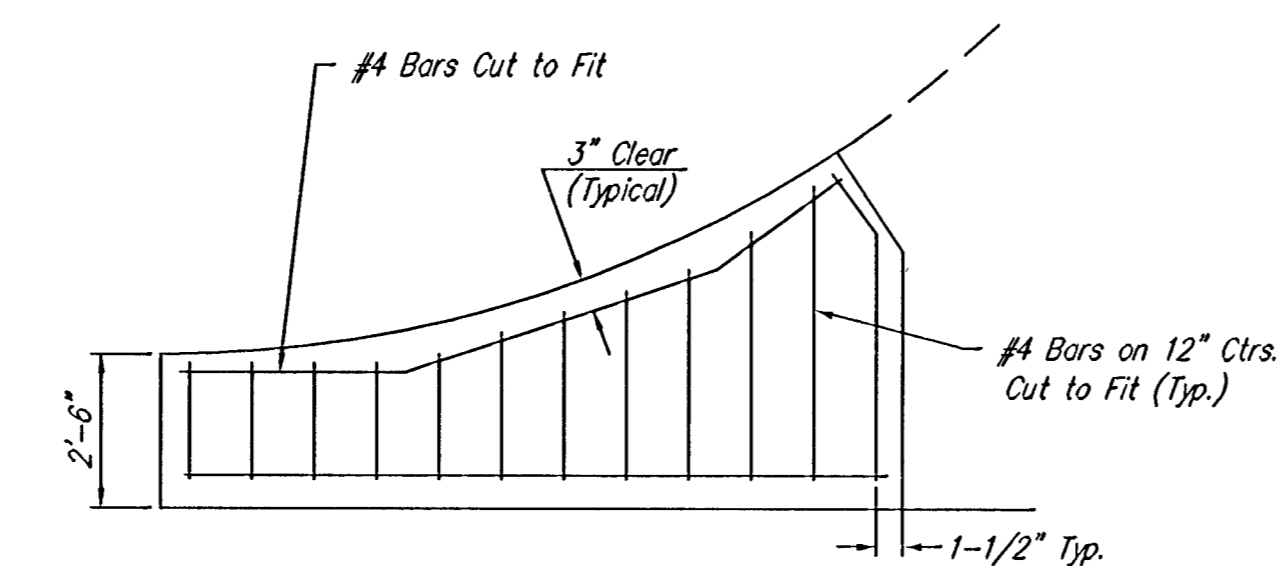
KEYWAY DETAIL



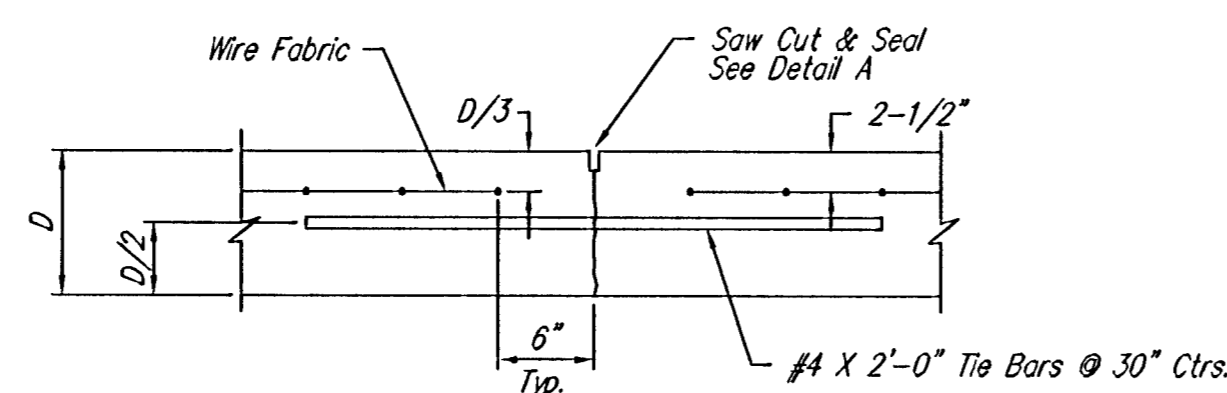
CONTRACTION JOINT DETAIL (C.J.)



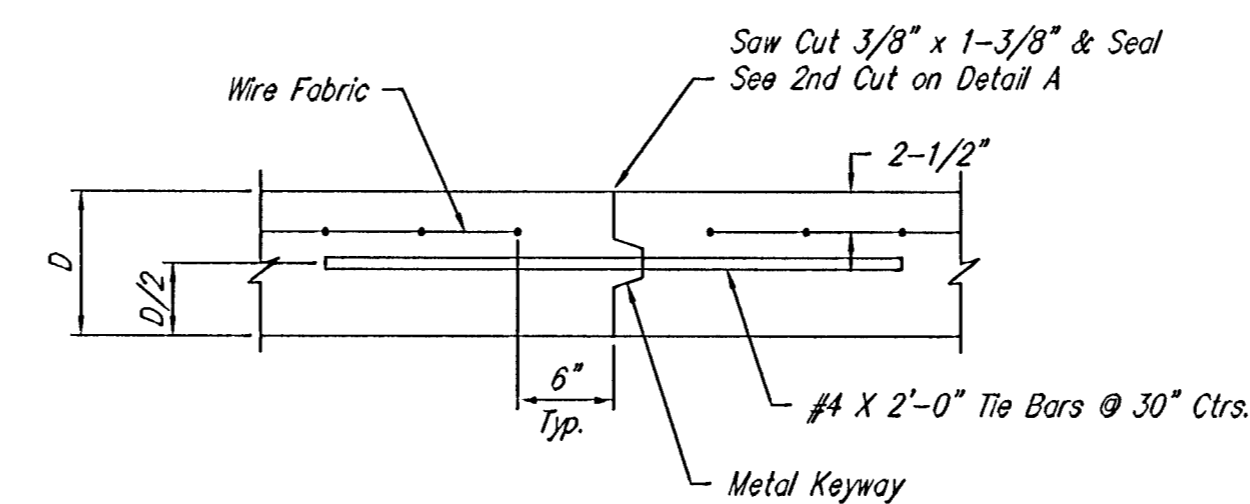
OPTIONAL CONTRACTION JOINT



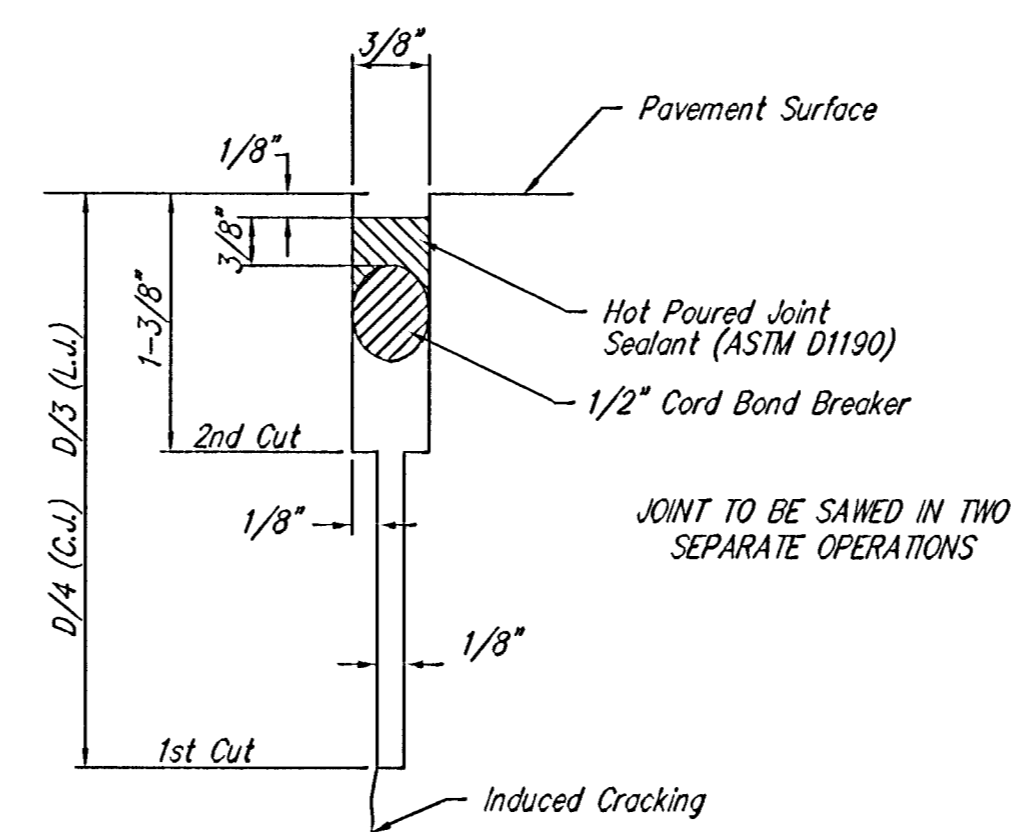
WING REINFORCING DETAIL



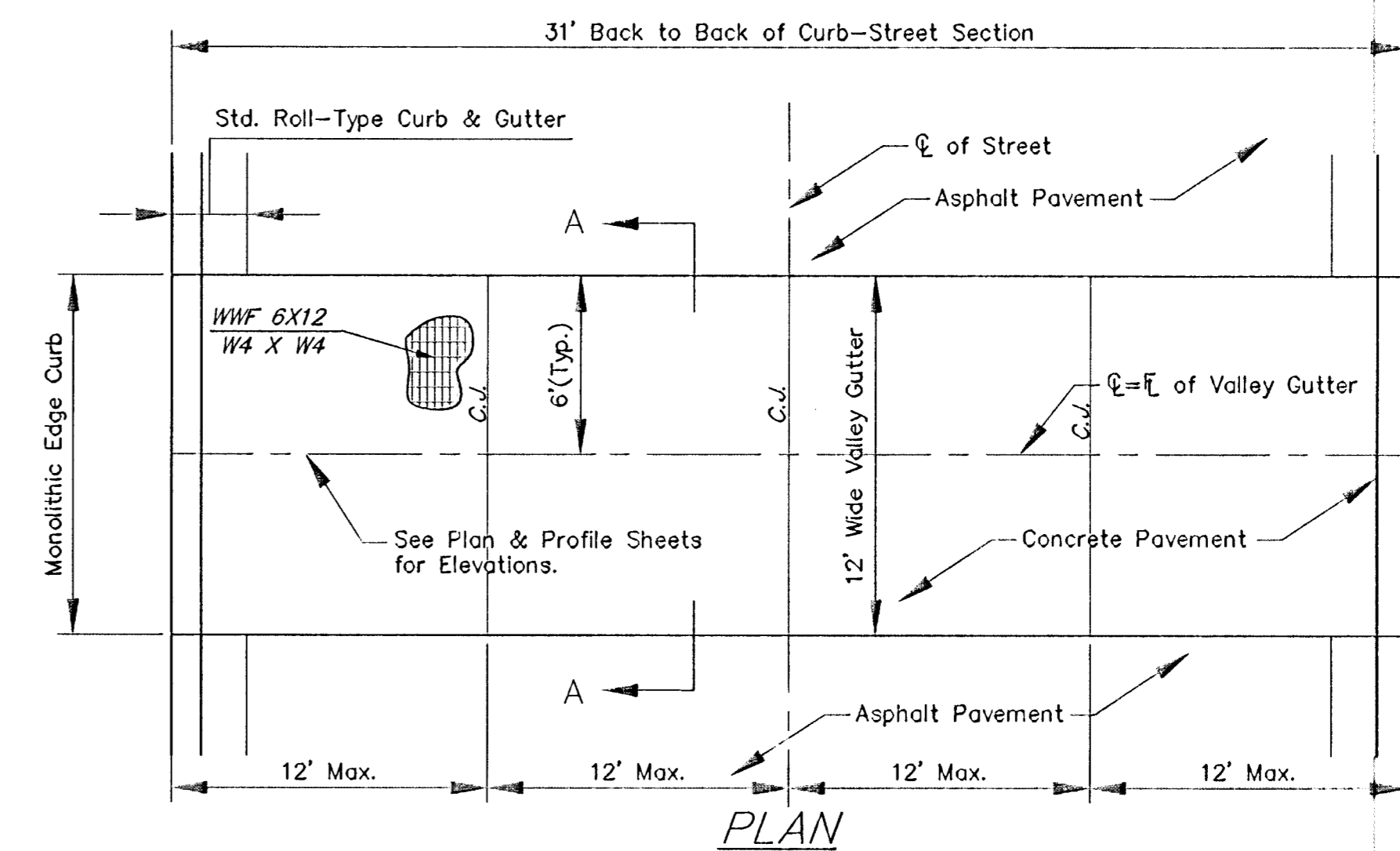
LONGITUDINAL JOINT DETAIL (L.J.)



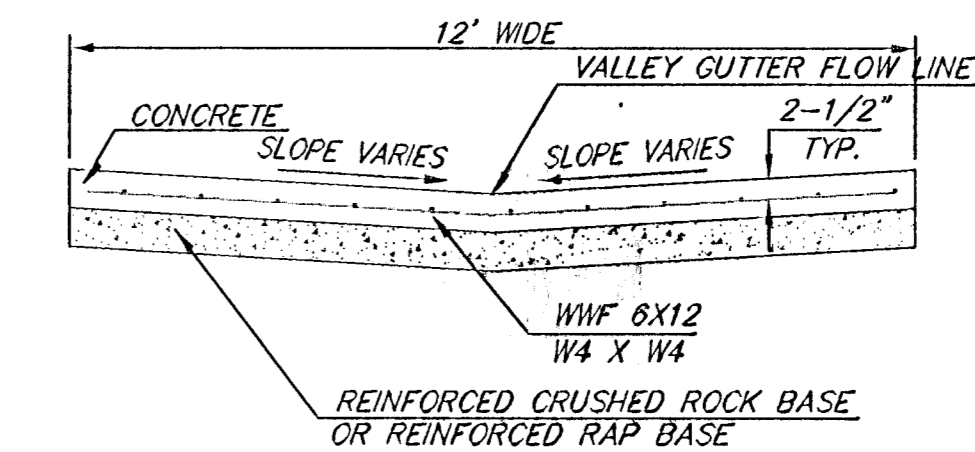
OPTIONAL LONGITUDINAL JOINT DETAIL (L.J.)



SAW JOINT DETAIL



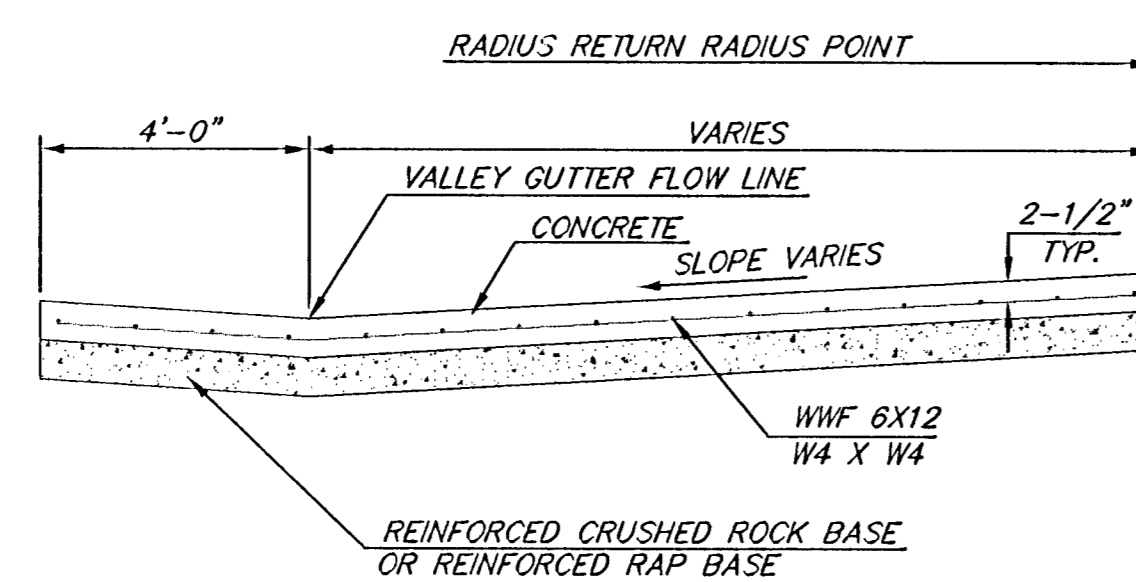
PLAN



SECTION A-A

12' WIDE REINFORCED VALLEY GUTTER DETAIL

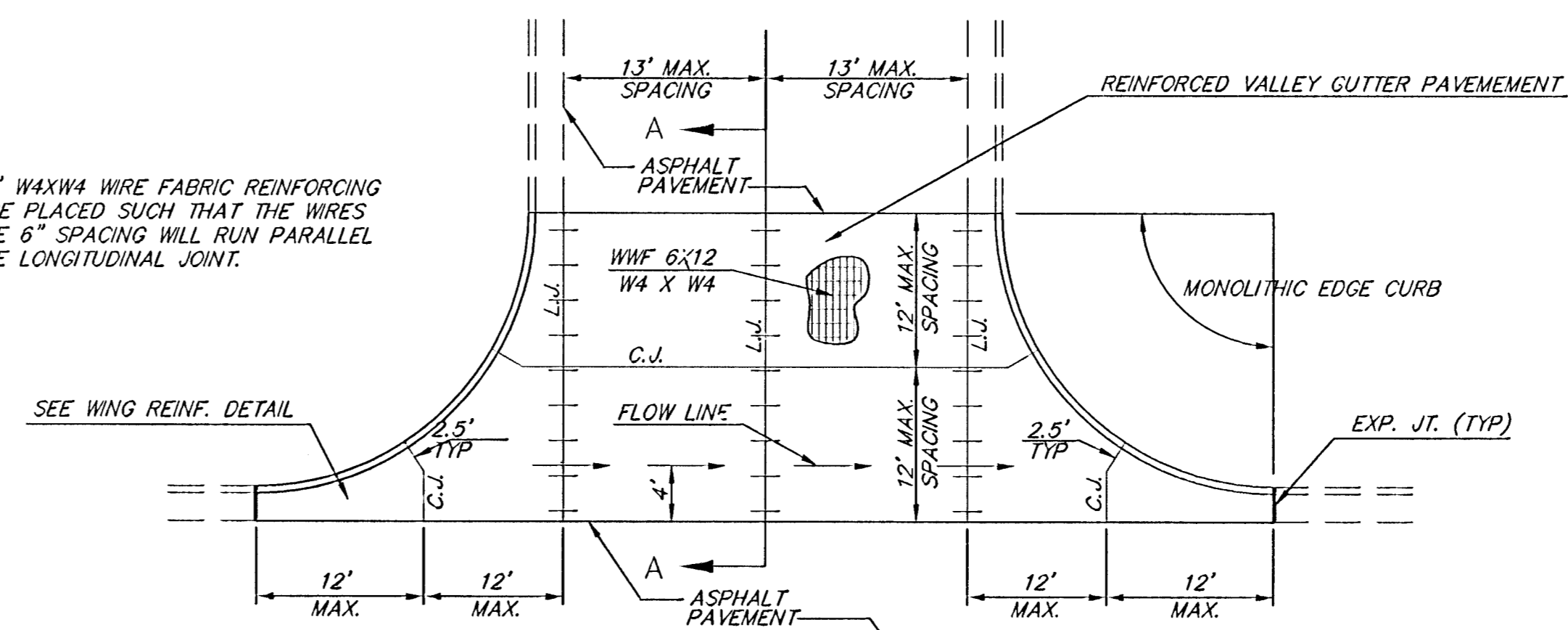
NEVADA CIRCLE-STA.: 41+94.00 & 42+06.00



SECTION A-A

REINFORCED VALLEY GUTTER DETAIL

6" x 12" WAXW4 WIRE FABRIC REINFORCING SHALL BE PLACED SUCH THAT THE WIRES WITH THE 6" SPACING WILL RUN PARALLEL WITH THE LONGITUDINAL JOINT.



PLAN

BLUE SKY ADDITION		
VALLEY GUTTER DETAILS		
WICHITA, SEDGWICK COUNTY, KANSAS		
PROJ. NO.: 20051279		
CERTIFIED ENGINEERING DESIGN, P.A.		
810 WEST DOUGLAS, SUITE C		
WICHITA, KANSAS 67203		
PH.(316)262-8808 FAX.(316)262-1669		
DESIGNED: HDF	SCALE: NTS	SHEET
DR: JDT	DATE: 03-06	9
CHECKED: HDF	CED FILE: Str-details.dwg	TOTAL 17