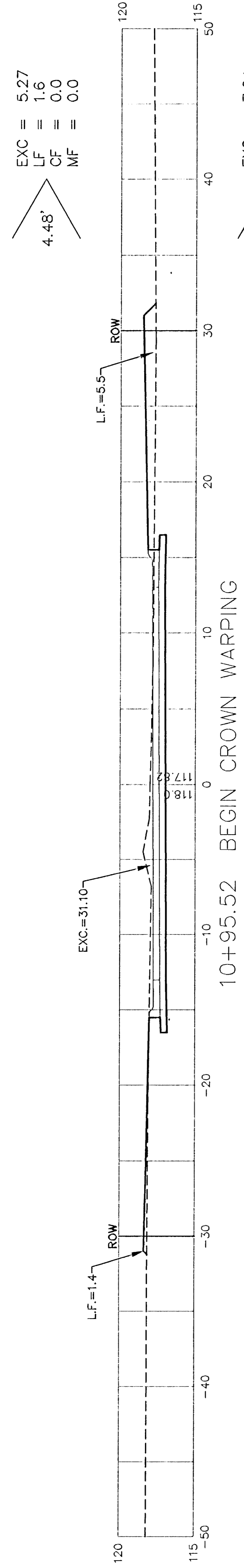
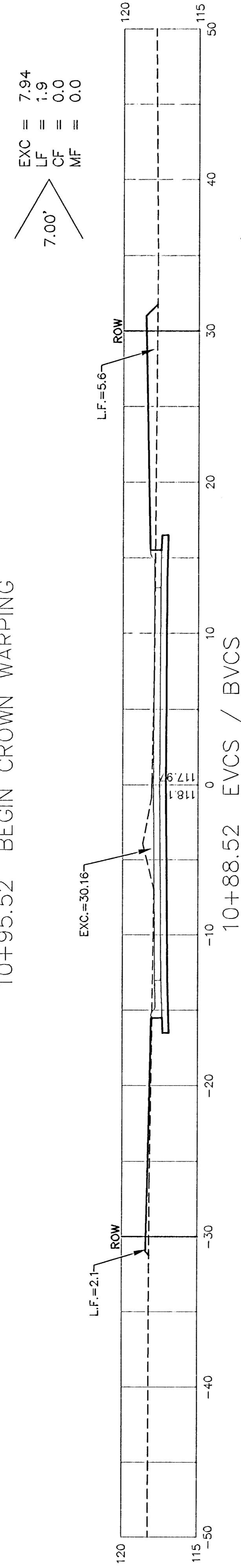


EXC = 5.27
 LF = 1.6
 CF = 0.0
 MF = 0.0



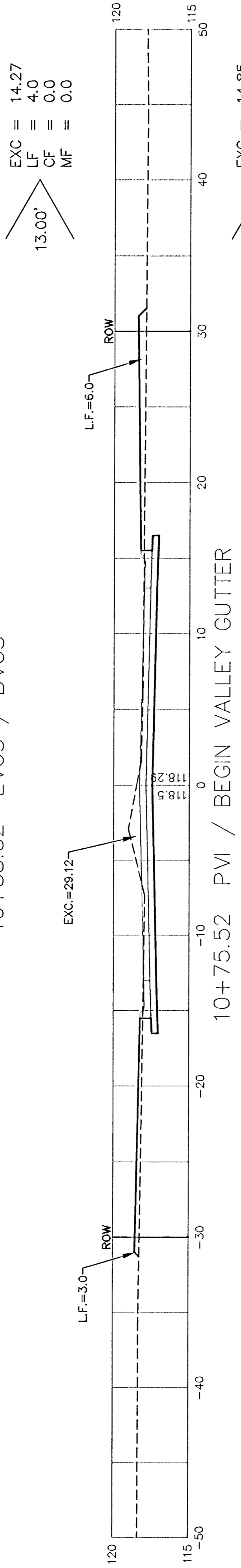
10+95.52 BEGIN CROWN WARPING

EXC = 7.94
 LF = 1.9
 CF = 0.0
 MF = 0.0



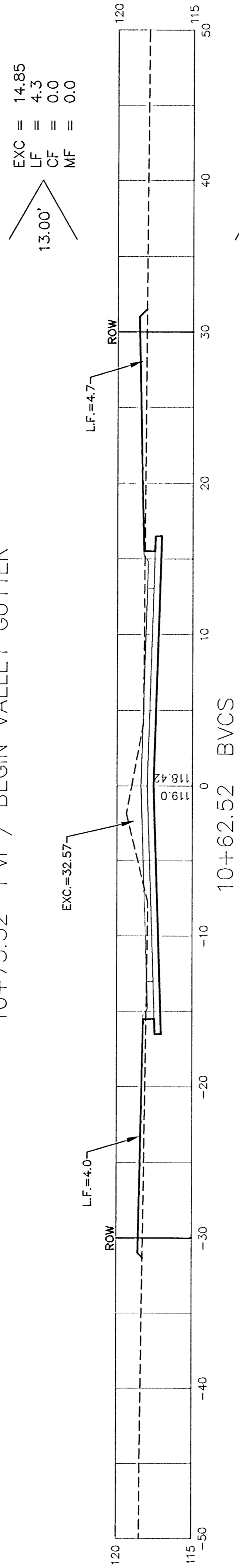
10+88.52 EVCS / BVCS

EXC = 14.27
 LF = 4.0
 CF = 0.0
 MF = 0.0



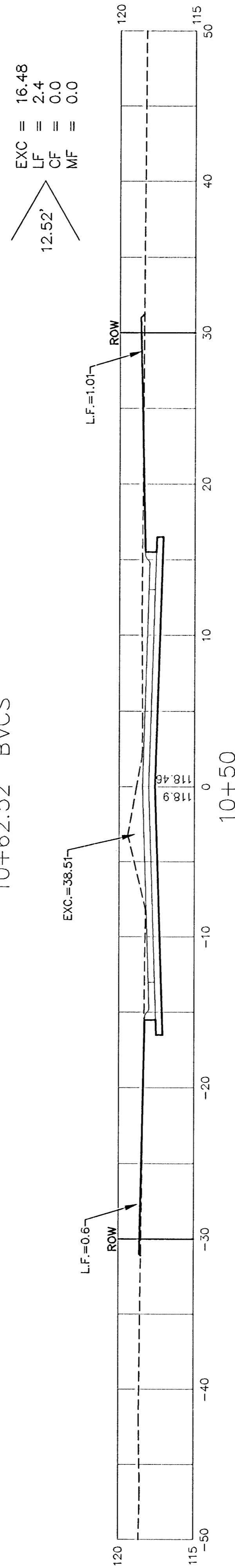
10+75.52 PVI / BEGIN VALLEY GUTTER

EXC = 14.85
 LF = 4.3
 CF = 0.0
 MF = 0.0



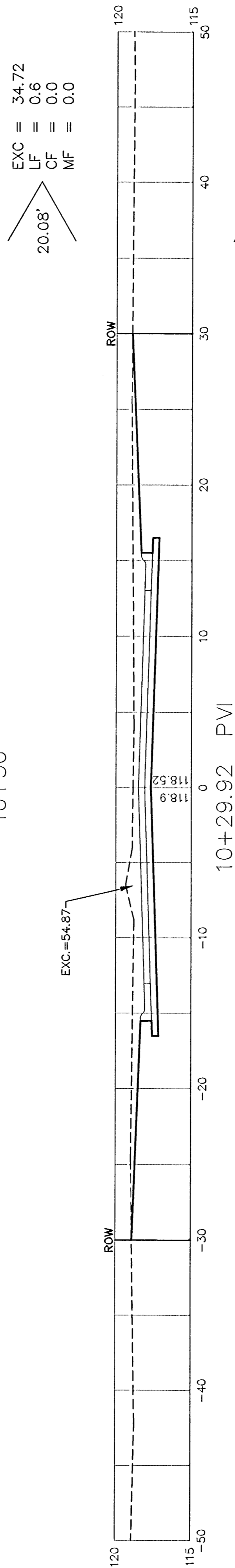
10+62.52 BVCS

EXC = 16.48
 LF = 2.4
 CF = 0.0
 MF = 0.0



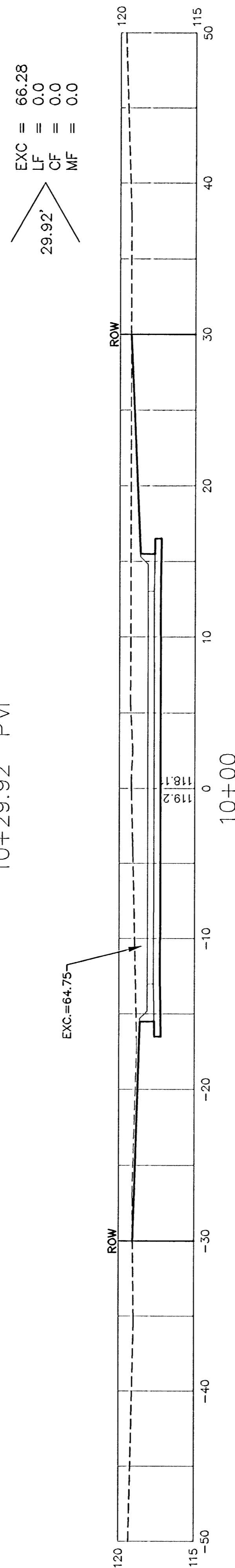
10+50

EXC = 34.72
 LF = 0.6
 CF = 0.0
 MF = 0.0



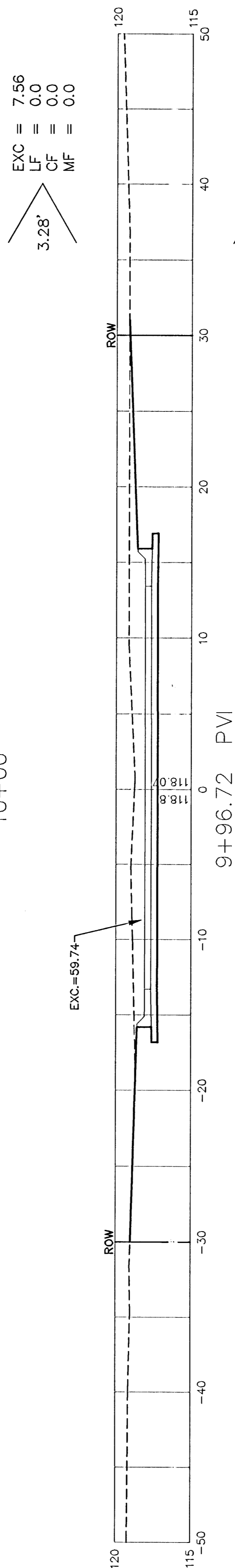
10+29.92 PVI

EXC = 66.28
 LF = 0.0
 CF = 0.0
 MF = 0.0



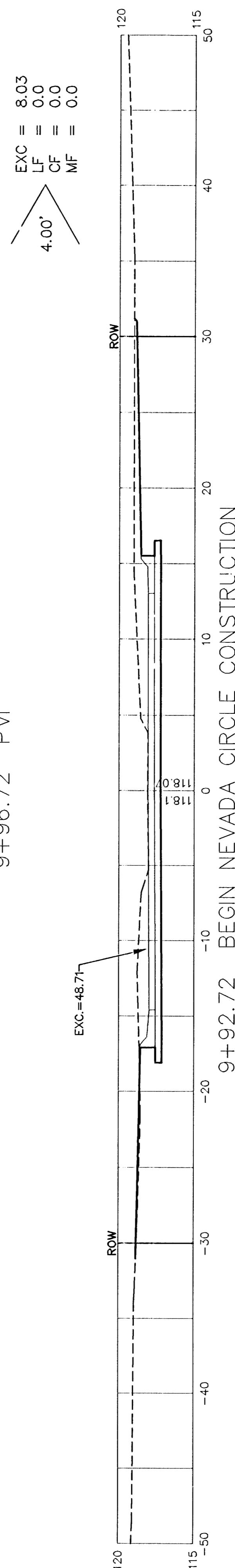
10+00

EXC = 7.56
 LF = 0.0
 CF = 0.0
 MF = 0.0



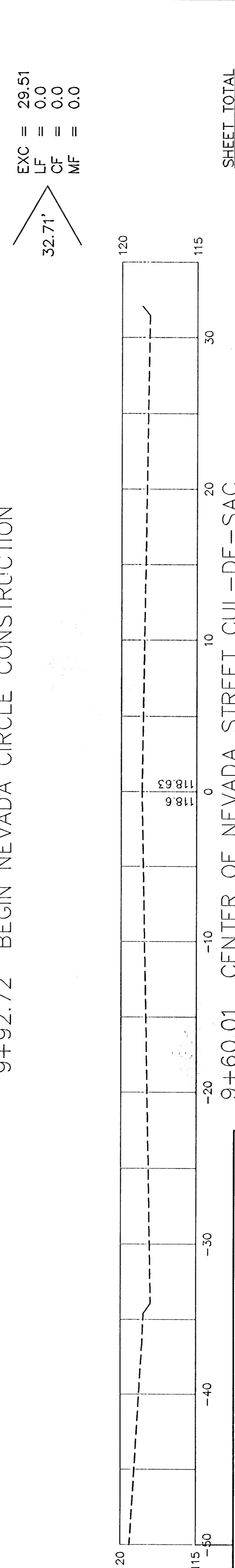
9+96.72 PVI

EXC = 8.03
 LF = 0.0
 CF = 0.0
 MF = 0.0



9+92.72 BEGIN NEVADA CIRCLE CONSTRUCTION

EXC = 29.51
 LF = 0.0
 CF = 0.0
 MF = 0.0



9+60.01 CENTER OF NEVADA STREET CUL-DE-SAC

SHEET TOTAL
 EXCAVATION = 204.91
 LOOSE FILL = 14.8
 COMPACTED FILL = 0.0
 MANIPULATED FILL = 0.0

NEVADA CIRCLE

GED PROJ. NO.: 20051279
CERTIFIED ENGINEERING DESIGN, P.A.
 810 WEST DOUGLAS, SUITE C1 SHEET 15
 WICHITA, KANSAS 67203
 PH: (316) 262-8808
 FAX: (316) 262-1669
 TOTAL 17

