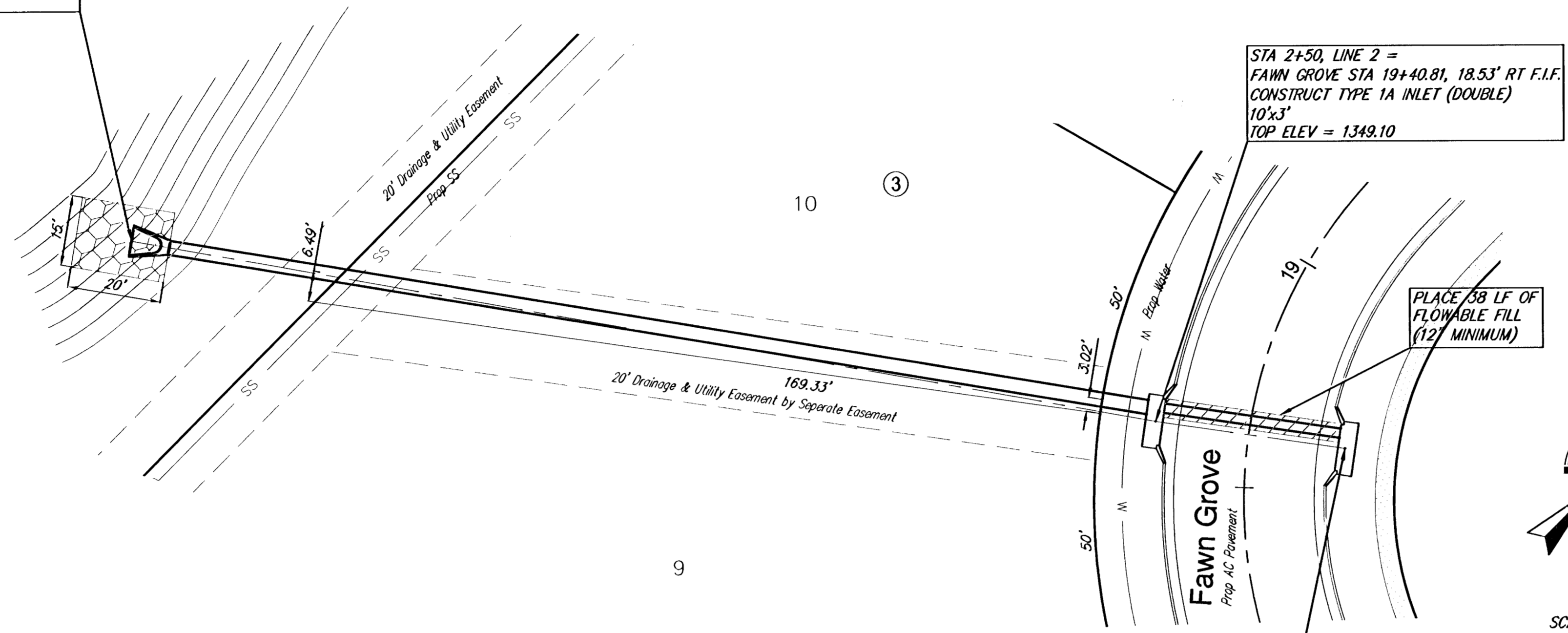


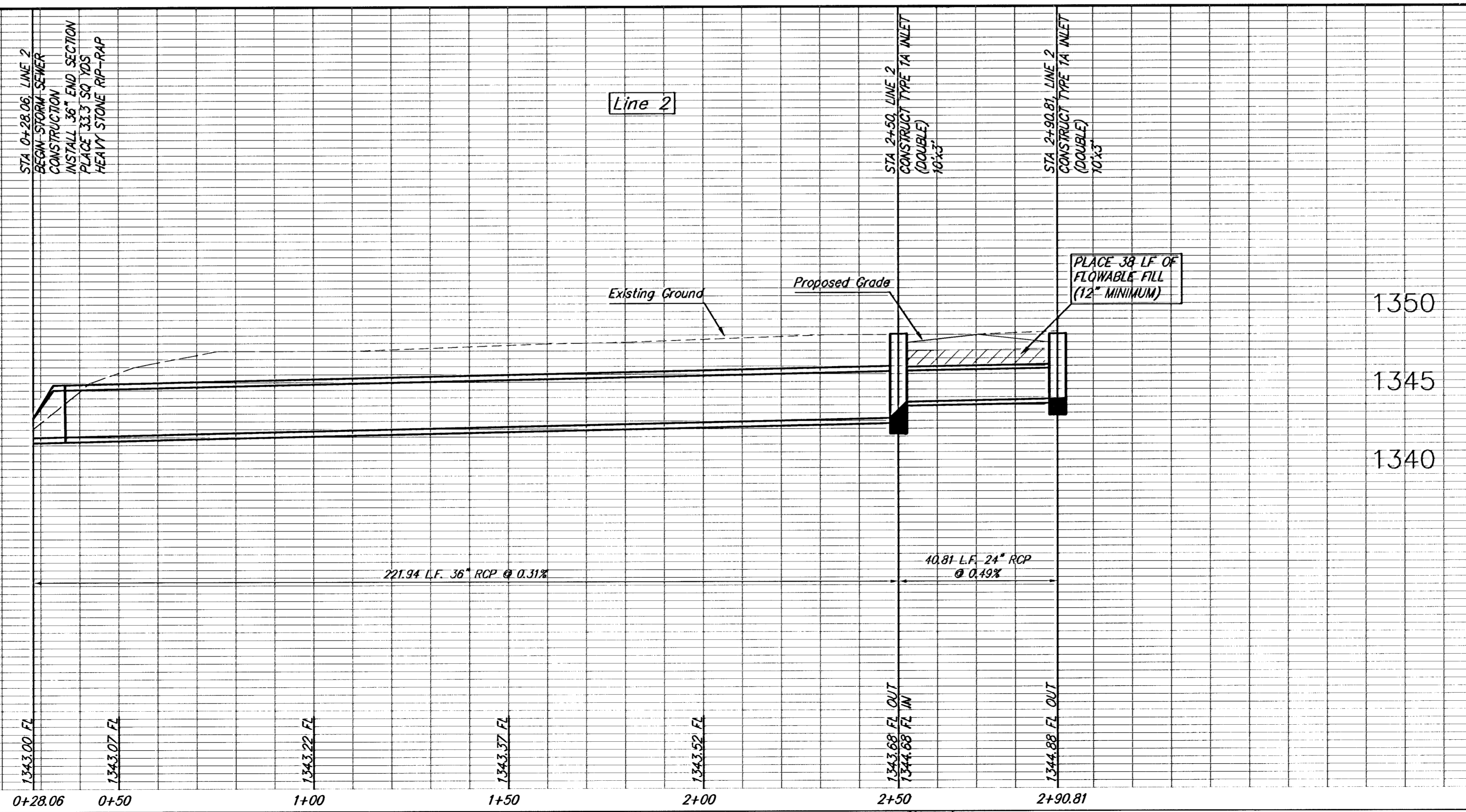
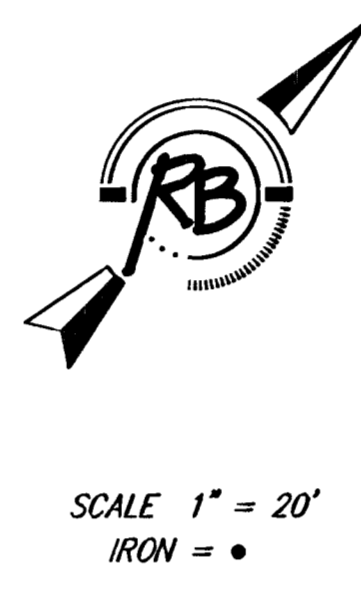
STA 0+28.06, LINE 2  
 BEGIN STORM SEWER CONSTRUCTION  
 INSTALL 36" END SECTION  
 PLACE 33.3 SQ YDS  
 HEAVY STONE RIP-RAP



STA 2+50, LINE 2 =  
 FAWN GROVE STA 19+40.81, 18.53' RT F.I.F.  
 CONSTRUCT TYPE 1A INLET (DOUBLE)  
 10'x3'  
 TOP ELEV = 1349.10

PLACE 38 LF OF  
 FLOWABLE FILL  
 (12" MINIMUM)

STA 2+90.81, LINE 2 =  
 FAWN GROVE STA 19+40.81, 18.53' LT F.I.F.  
 CONSTRUCT TYPE 1A INLET (DOUBLE)  
 10'x3'  
 TOP ELEV = 1349.10

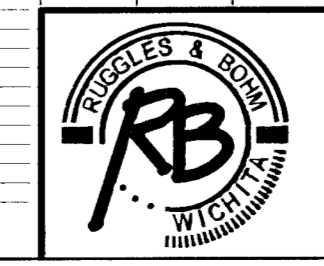


PLACE 38 LF OF  
 FLOWABLE FILL  
 (12" MINIMUM)

DESIGN	REVISION
EJC	EJC
UTILITY	DATE
	Apr 27, 2006

PROJECT NUMBER  
 412-0402  
 DRAWING FILE  
 SWS ISWS Line 13

FAWN GROVE ADDITION  
 Storm Water Sewer  
 WICHITA, KANSAS



Ruggles & Bohm, P.A.  
 Engineering, Surveying, Land Planning  
 924 North Main  
 Wichita, Kansas 67203  
 www.rbkansas.com  
 (316) 264-8008  
 (316) 264-4621 fax  
 E-mail: info@rbkansas.com

RB JOB  
 2868E  
 SHEET  
 13  
 OF  
 24