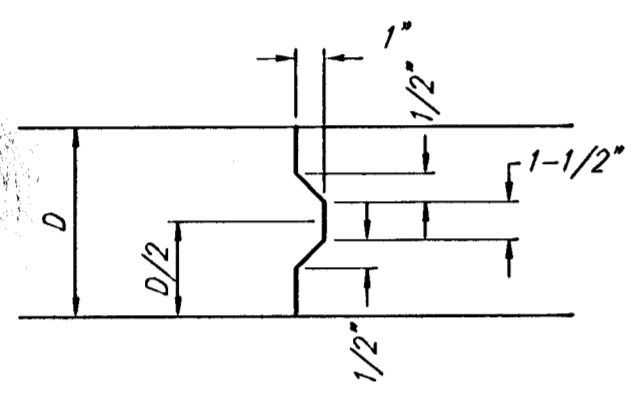
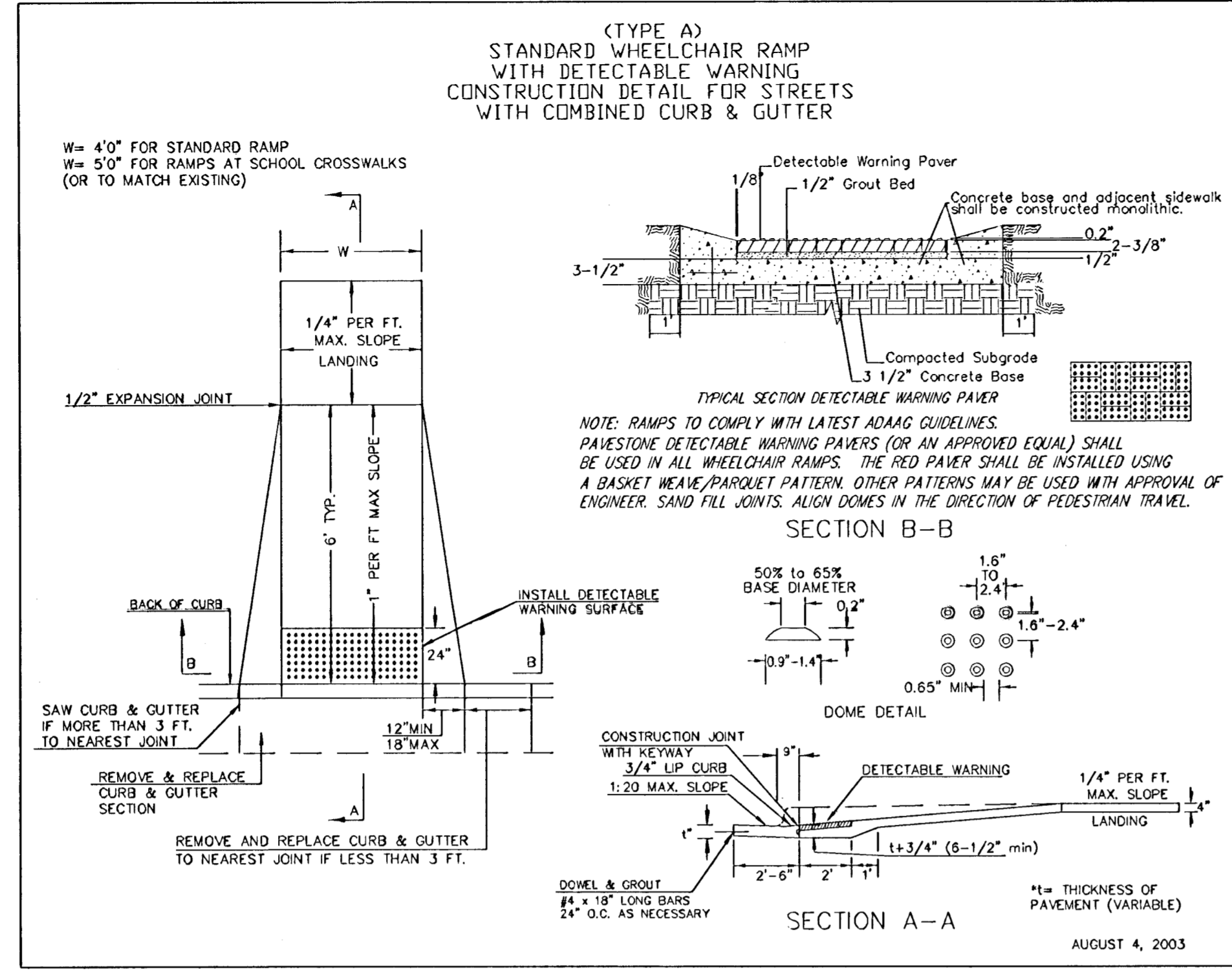


EXPANSION JOINT

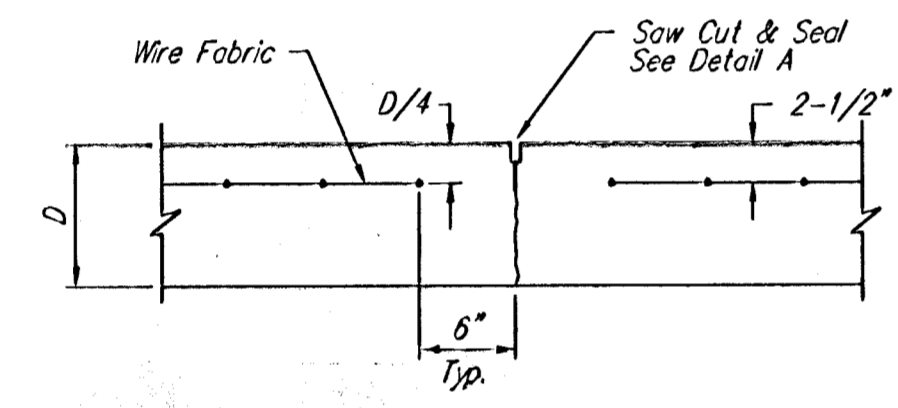
NOTE: Extra Thickness to be Subsidiary to Price of Square Yards Pavement



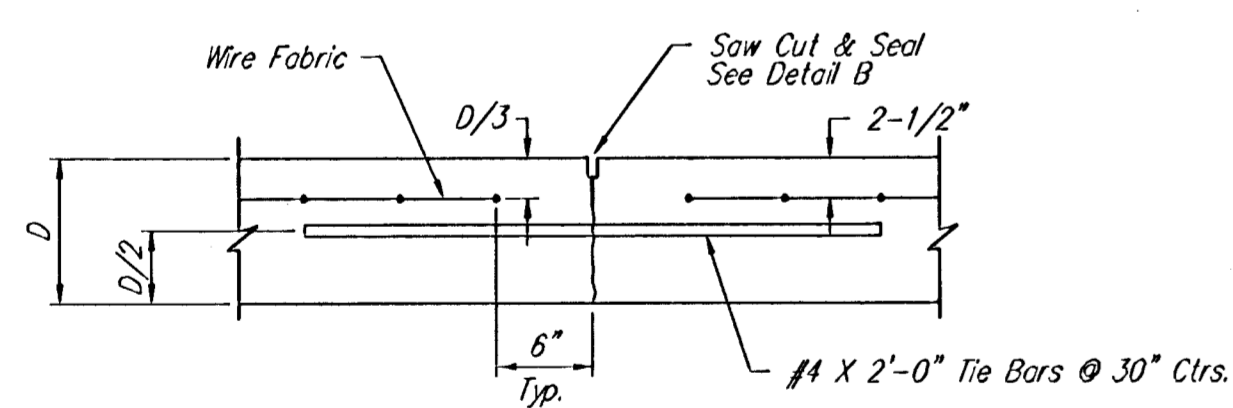
KEYWAY DETAIL



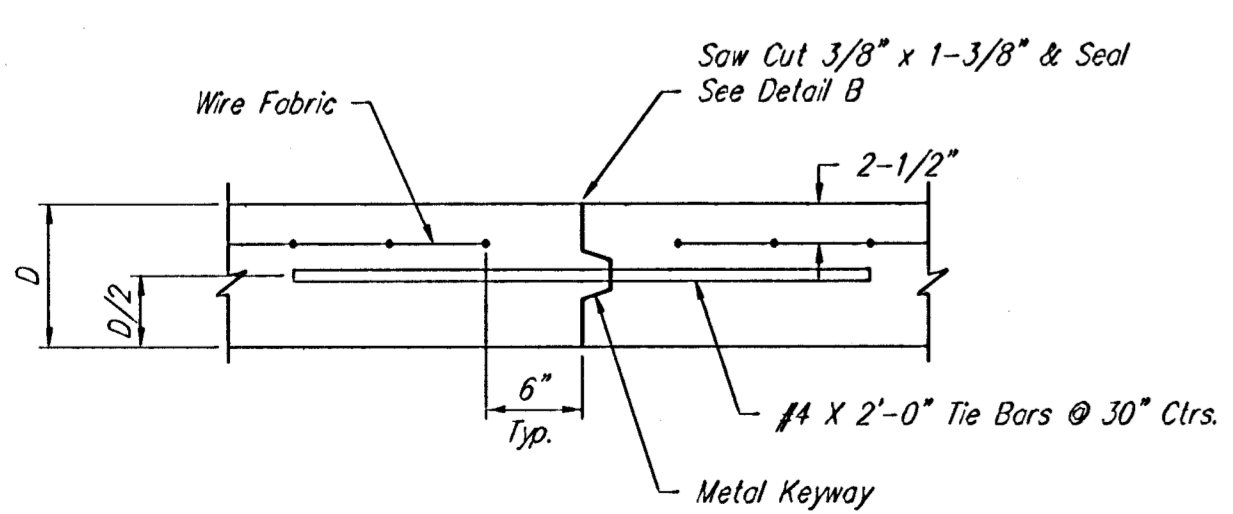
WHEELCHAIR RAMP DETAIL



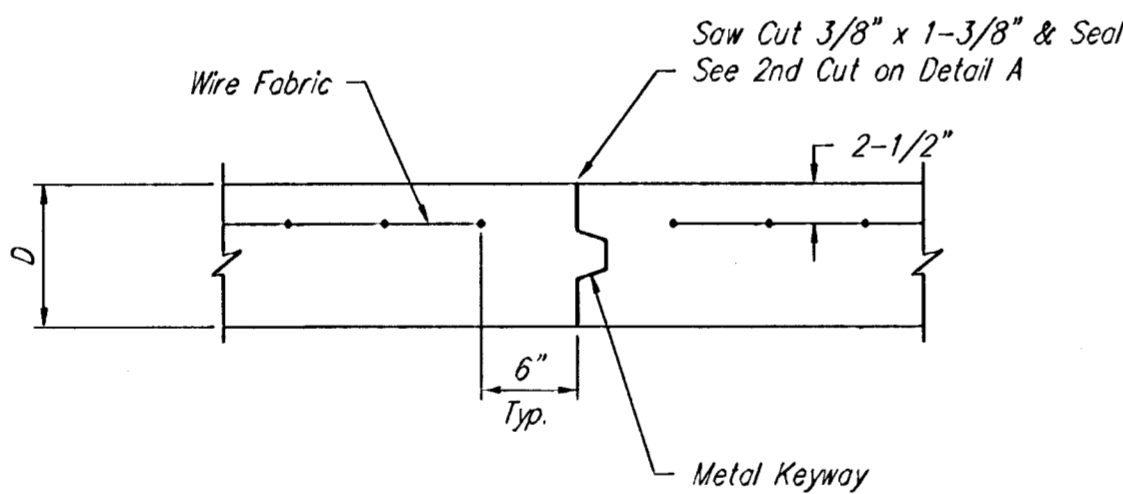
CONTRACTION JOINT DETAIL (C.J.)



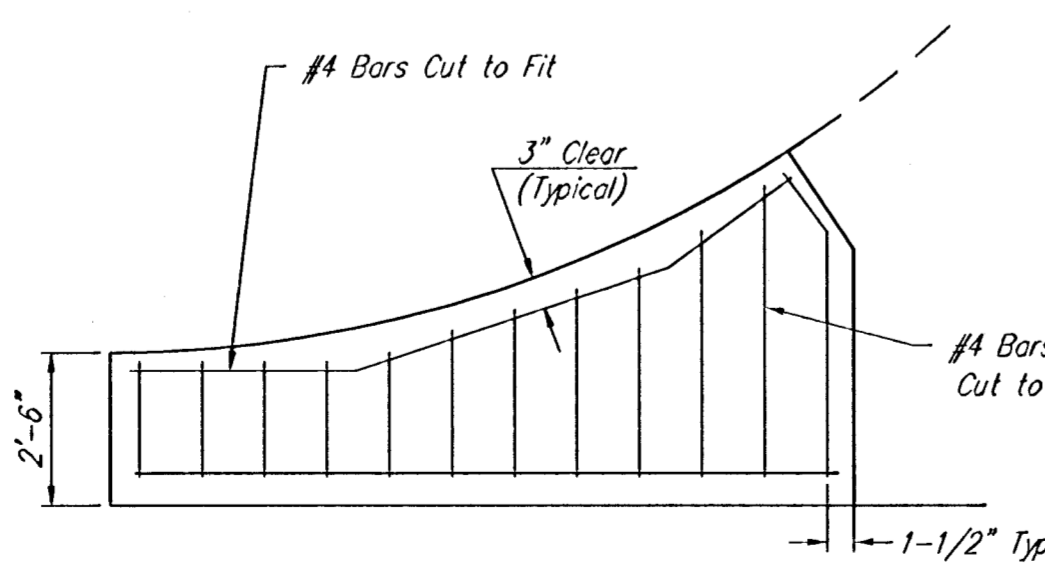
LONGITUDINAL JOINT DETAIL (L.J.)



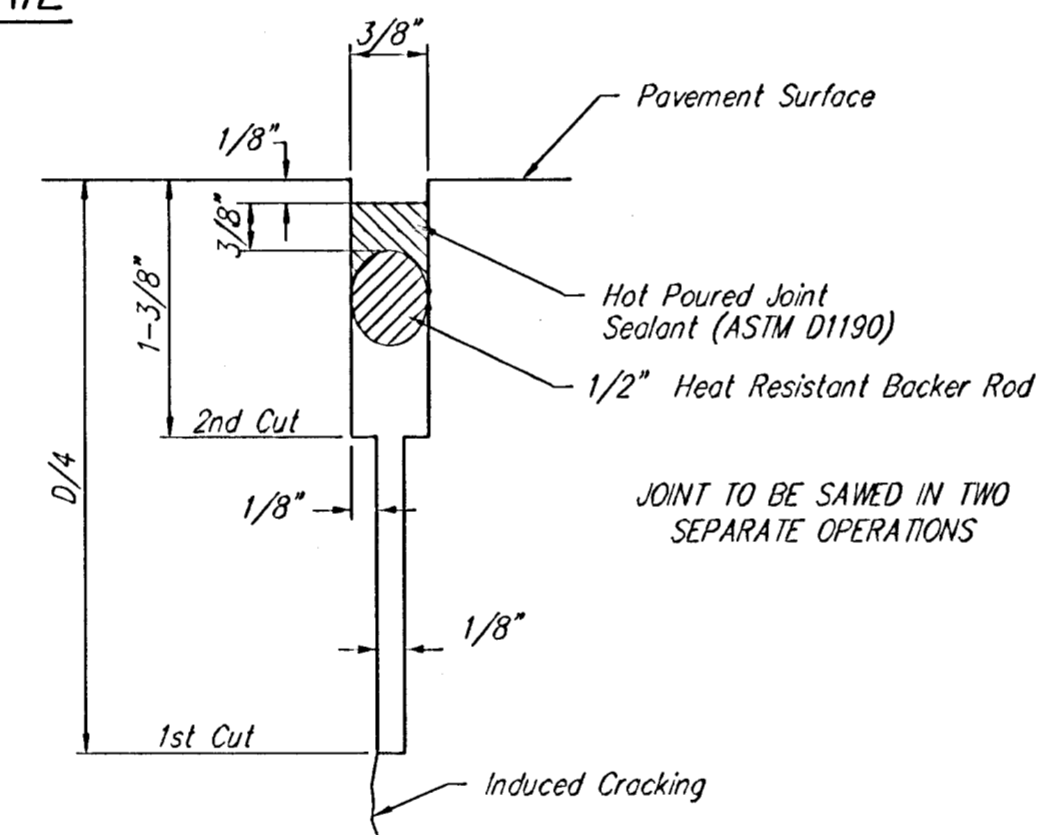
OPTIONAL LONGITUDINAL JOINT DETAIL (L.J.) (CONSTRUCTION JOINT)



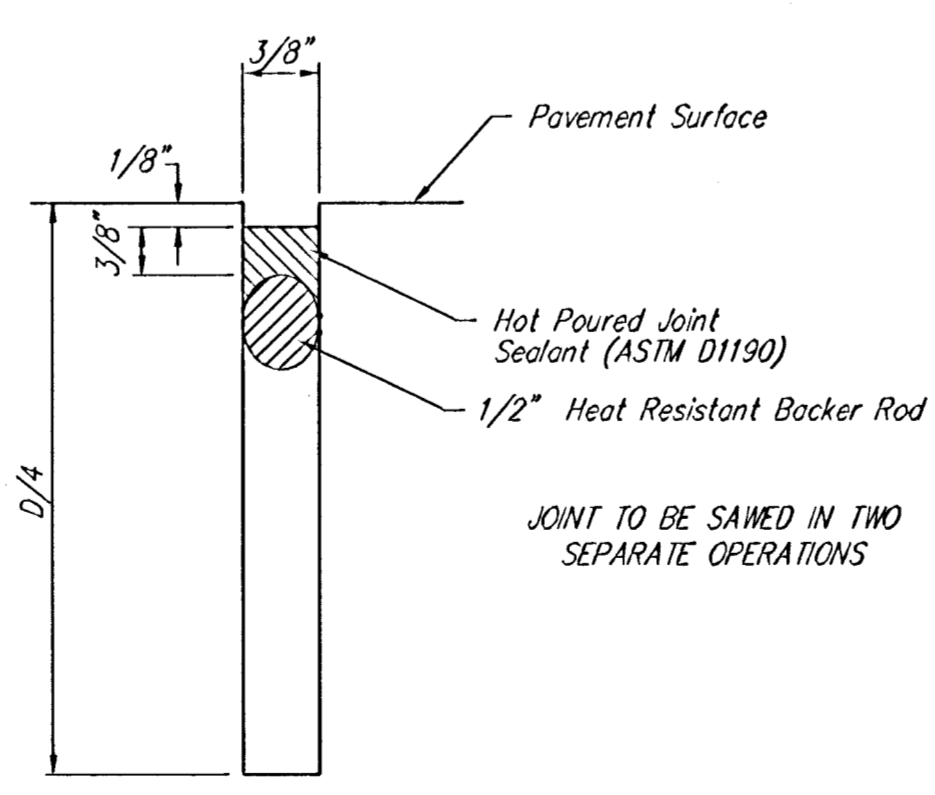
OPTIONAL CONTRACTION JOINT (CONSTRUCTION JOINT)



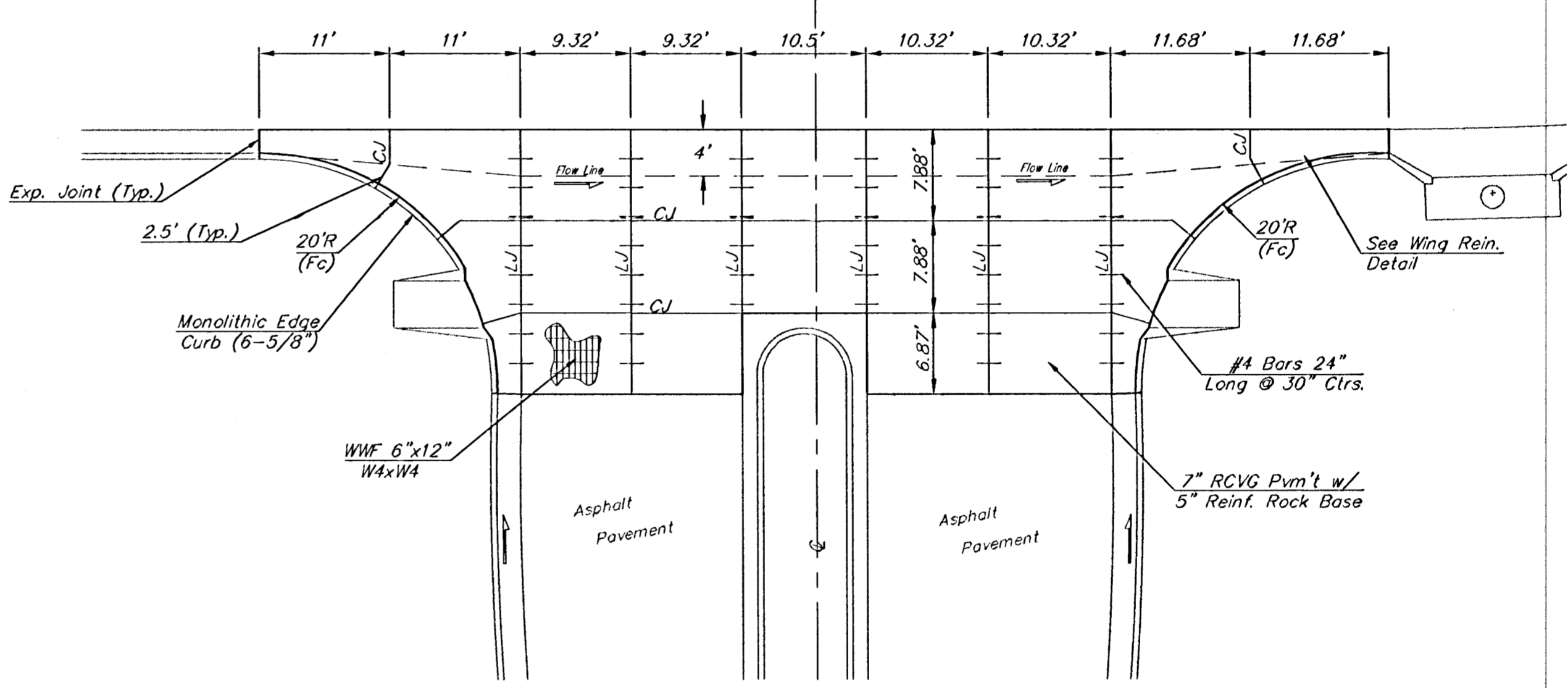
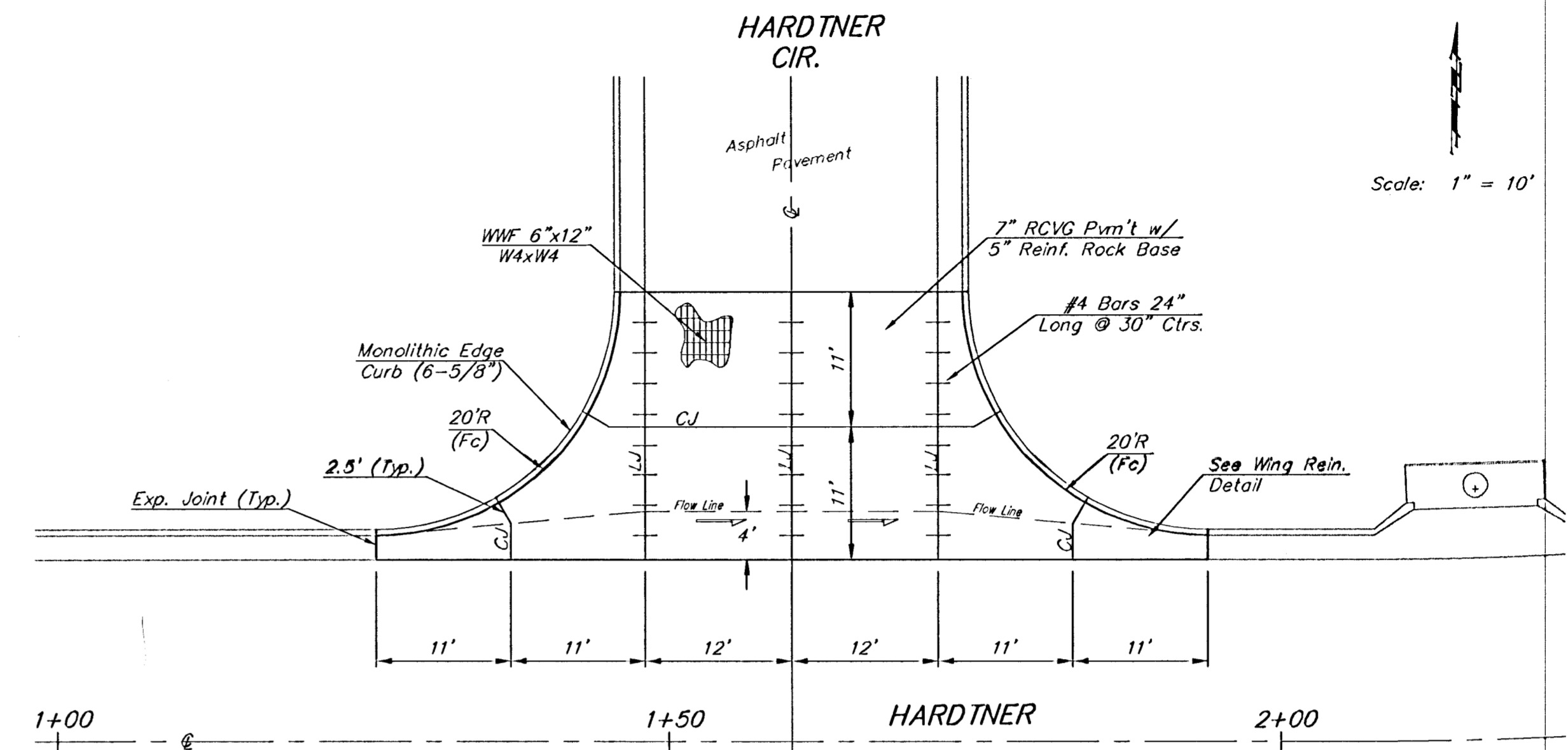
WING REINFORCING DETAIL



SAW JOINT DETAIL "A"



SAW JOINT DETAIL "B"



VALLEY GUTTER DETAILS

NOTE: 6" X 12" W4XW4 Wire Fabric Reinforcing Shall Be Placed So That The Wires With The 6" Spacing Will Run Parallel With The Longitudinal Joints.

		Highland Springs 3rd Addition - Phase III	
		Miscellaneous Details	
Baughman Company, P.A. 315 Silas G. Wicks, N.S. 67111 F31634-3711 F31635-0149 ENGINEERING SURVEYING PLANNING LANDSCAPE ARCHITECTURE			
PROJECT NUMBER 472-83780	DESIGN STAFF	DRAWN STAFF	DATE 6/21/06
REVISIONS:	APPROVED	SCALE NONE	SHEET
			5 OF 31
Highland Springs 3rd/Phase 3/Wgdetail.dwg			0509E358