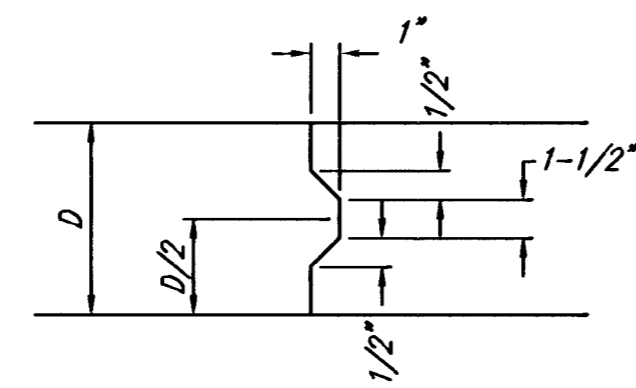
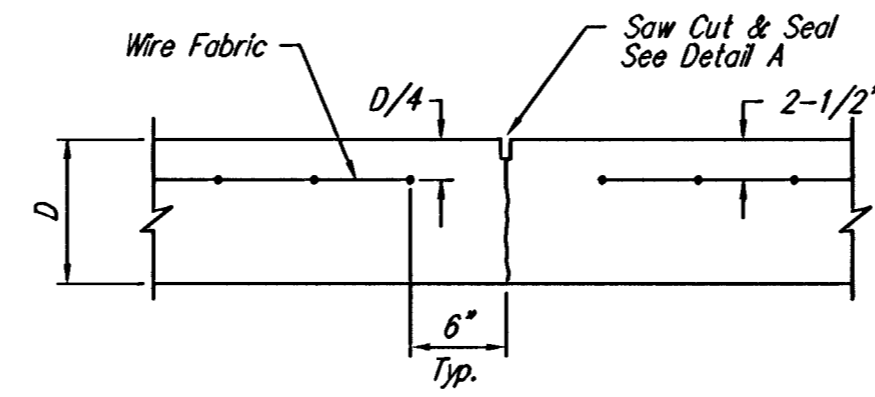


EXPANSION JOINT

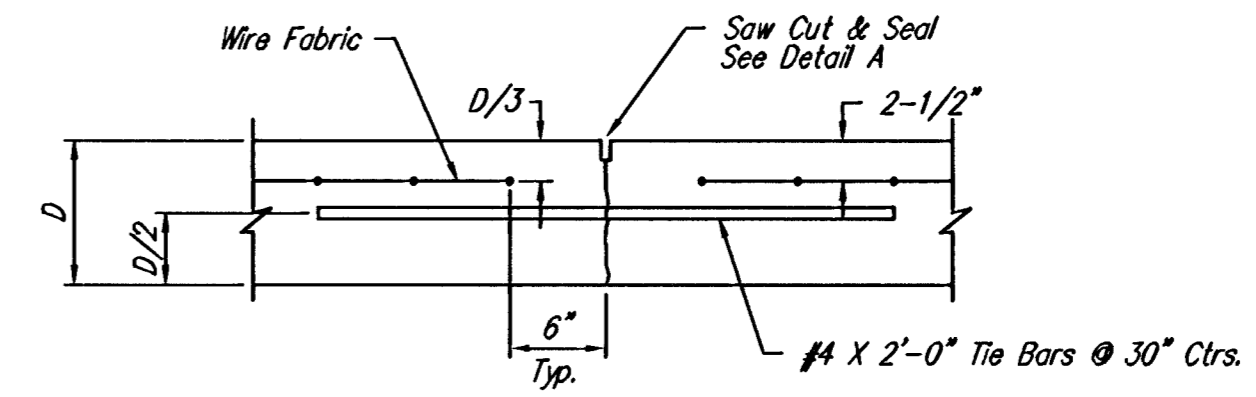
NOTE: Extra Thickness to be Subsidiary to Price of Square Yards Pavement



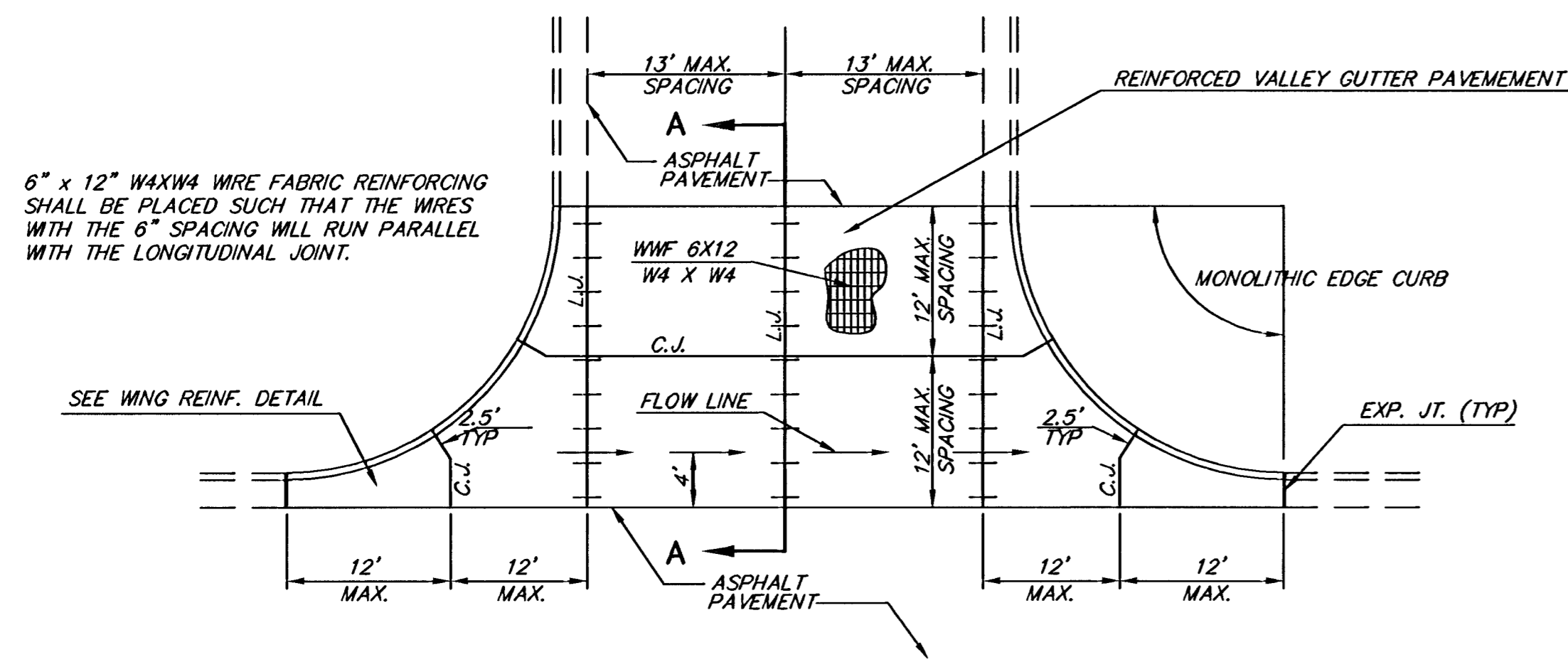
KEYWAY DETAIL



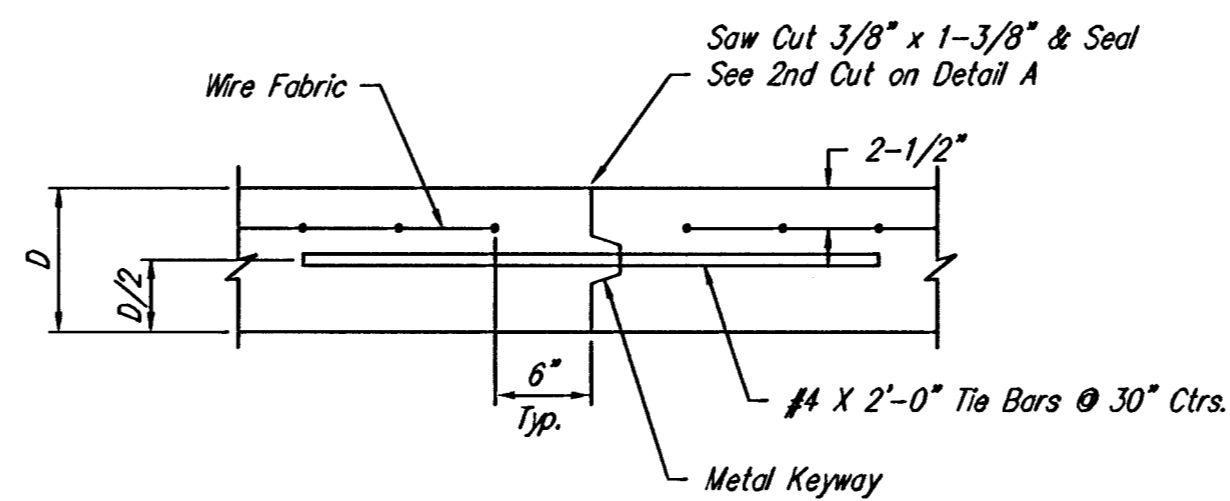
CONTRACTION JOINT DETAIL (C.J.)



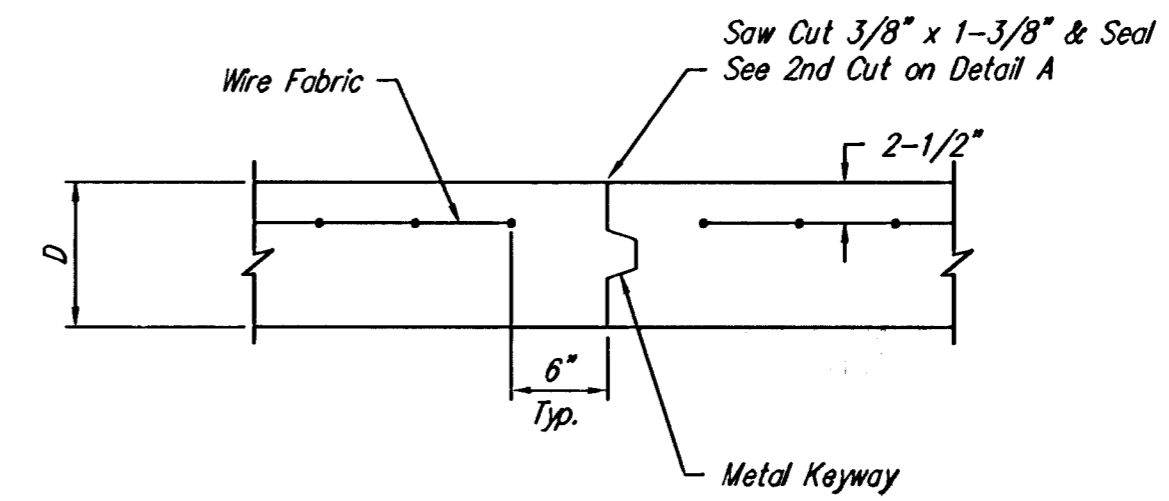
LONGITUDINAL JOINT DETAIL (L.J.)



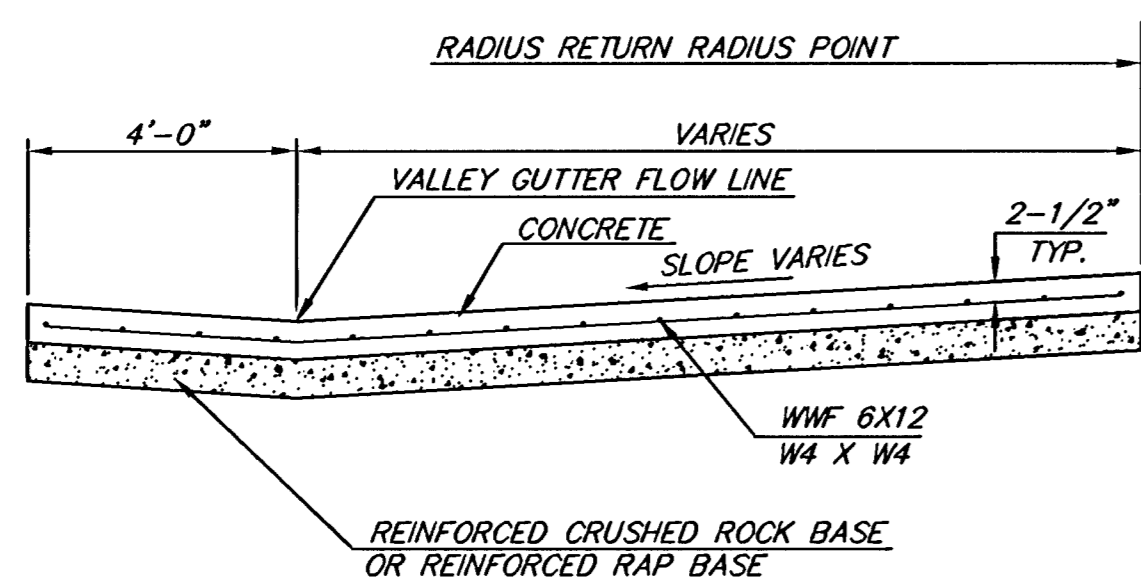
PLAN



OPTIONAL LONGITUDINAL JOINT DETAIL (L.J.)

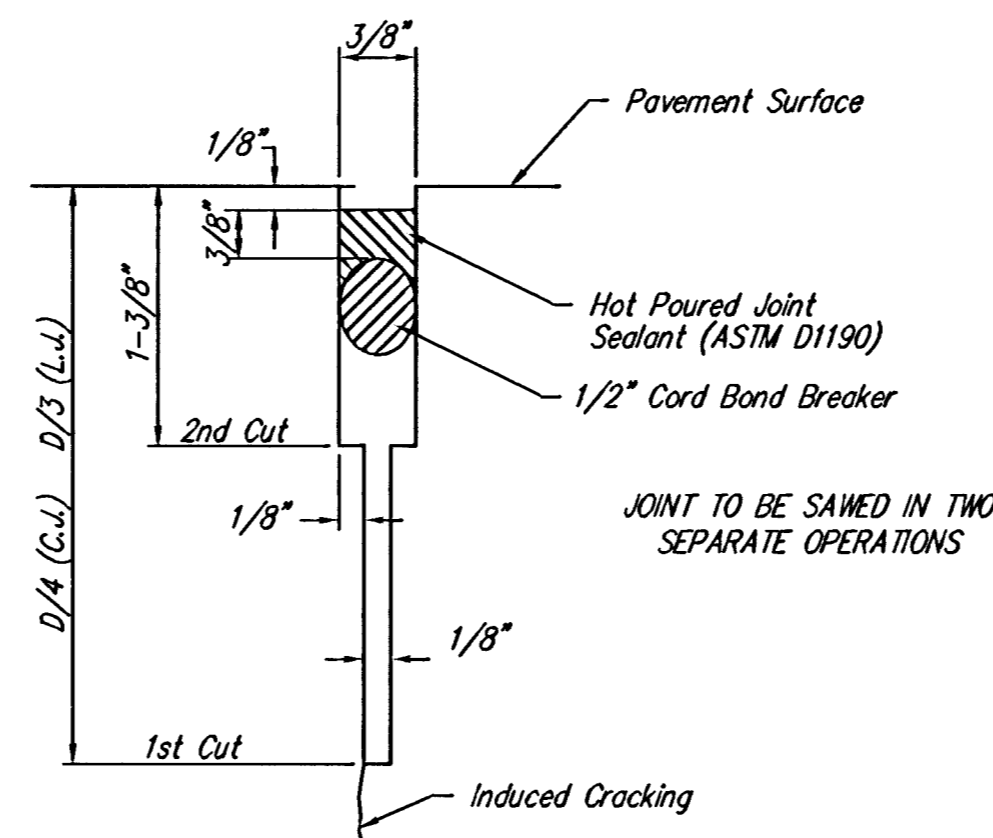


OPTIONAL CONTRACTION JOINT

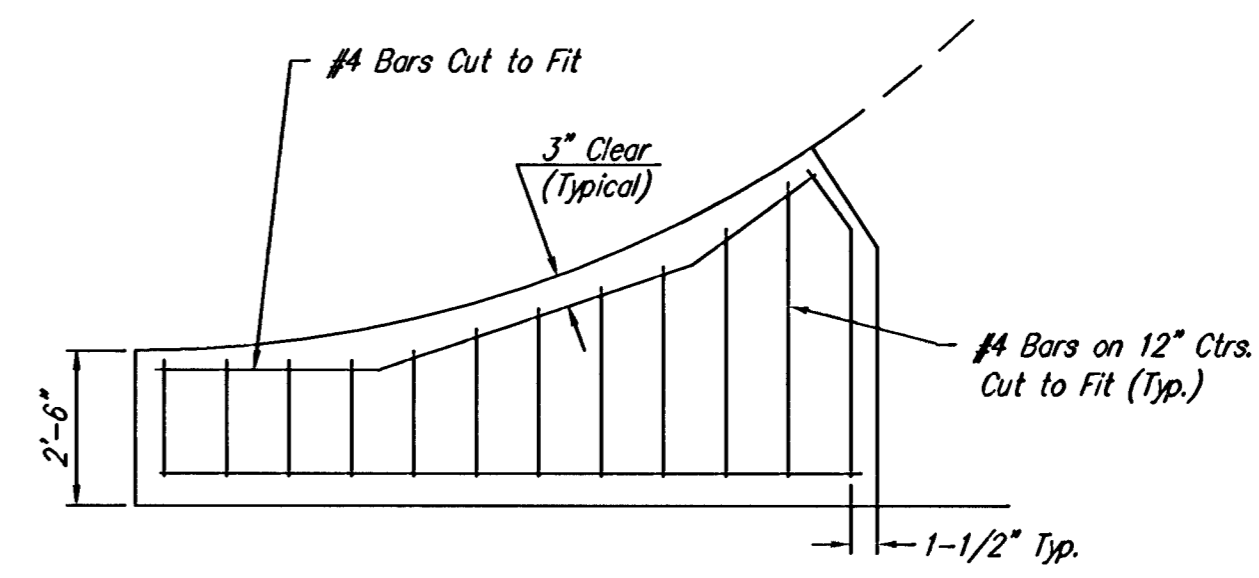


SECTION A-A

REINFORCED VALLEY GUTTER DETAIL



SAW JOINT DETAIL



WING REINFORCING DETAIL

H:\CIVIL\02280\DWG\PAV\PH2\02280ED4.DWG

<p>THE CITY OF WICHITA</p> <p>CITY ENGINEER'S OFFICE 455 NORTH MAIN STREET WICHITA, KANSAS 67202 (316) 268-4541 (316) 268-4114 FAX</p>	VALLEY GUTTER DETAILS	
	JIM ARMOUR, P.E. - CITY ENGINEER	
	PROJECT NUMBER 472-83817	OCA NUMBER 765997
	DATE JULY 2006	SHEET 5 OF 24