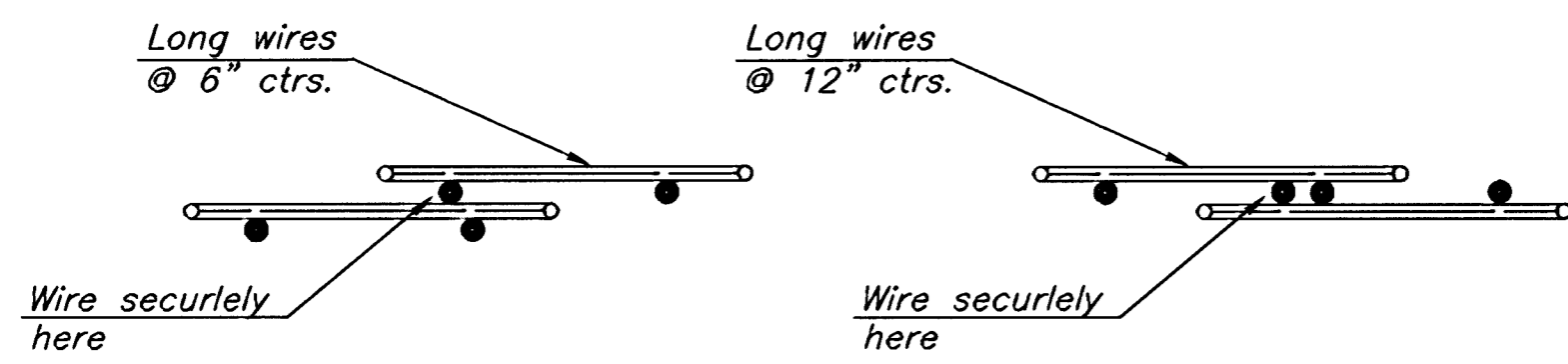
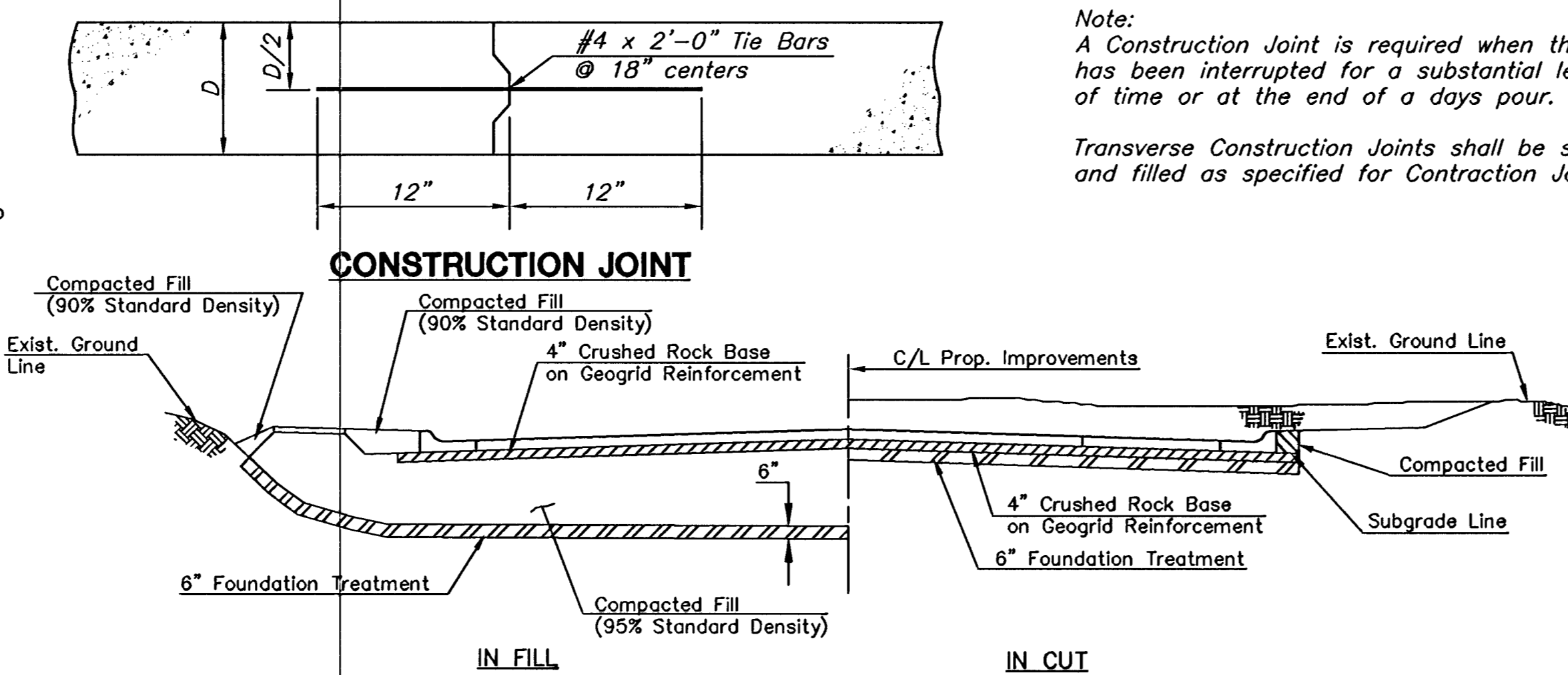


\* Note:  
The 3 1/2" as shown on standard sheet is a nominal dimension and may be subject to a normal unevenness due to placement operations.



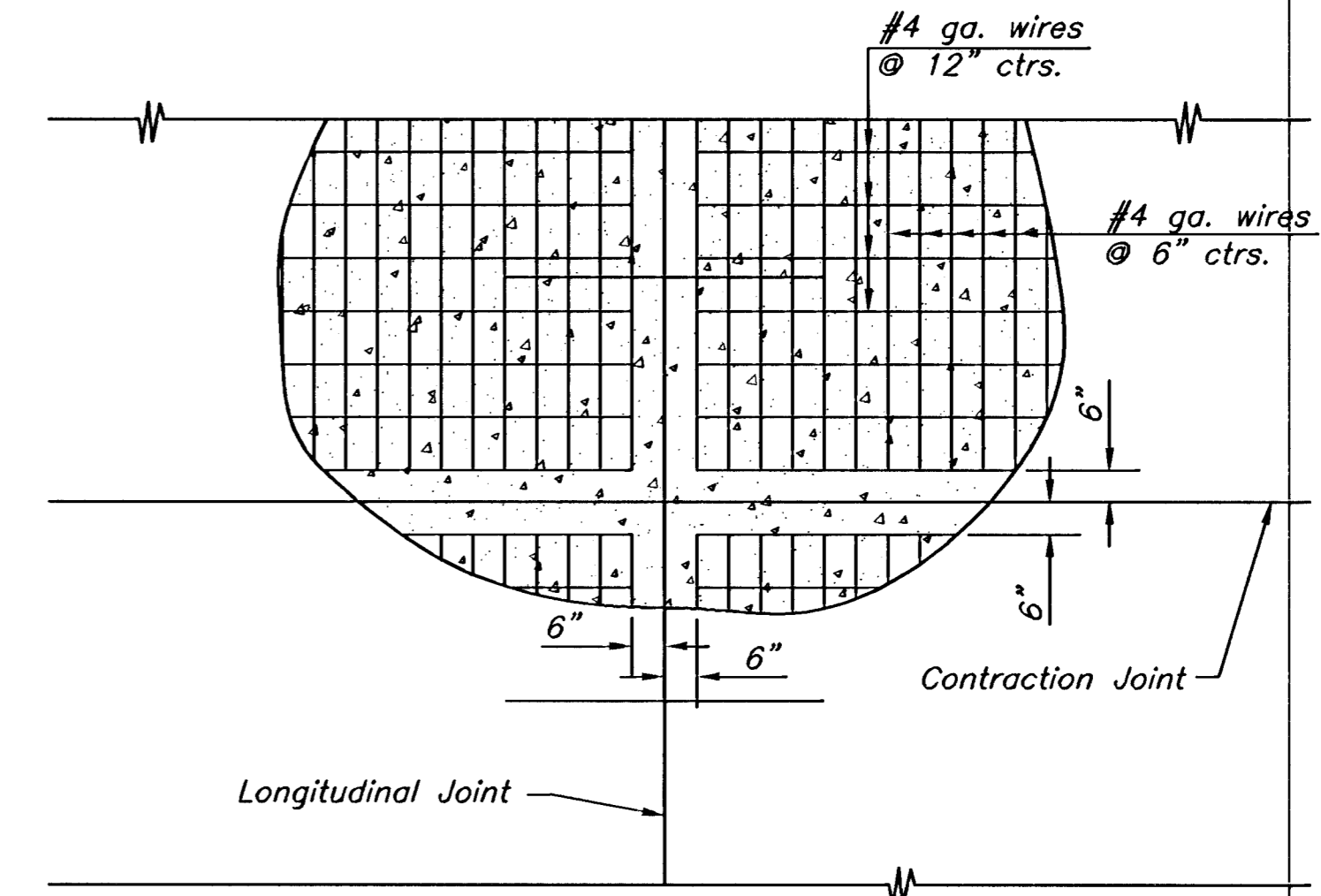
**DETAIL OF LAP FOR WIRE MESH**

Note:  
The lap shall extend beyond the first transverse wire of each sheet.  
The sheets shall be wired securely at the edges and at intervals not to exceed 2'-6" for the full width of the sheet. Approx. weight of wire mesh = 44 lbs. per 100 sq. ft.  
Other methods for fastening the sheets of wire mesh at the laps may be used with the approval of the Engineer.

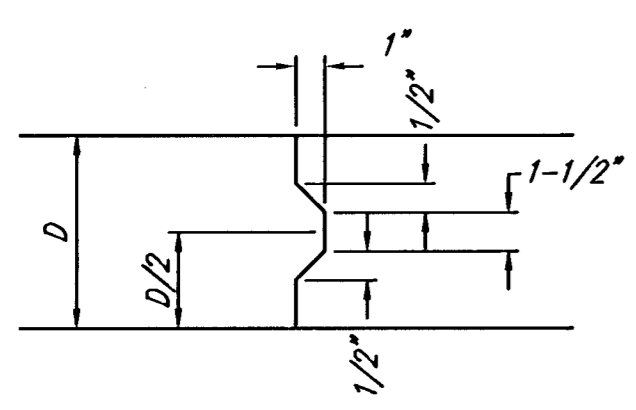


**FOUNDATION TREATMENT AND COMPACTION OF EARTHWORK**

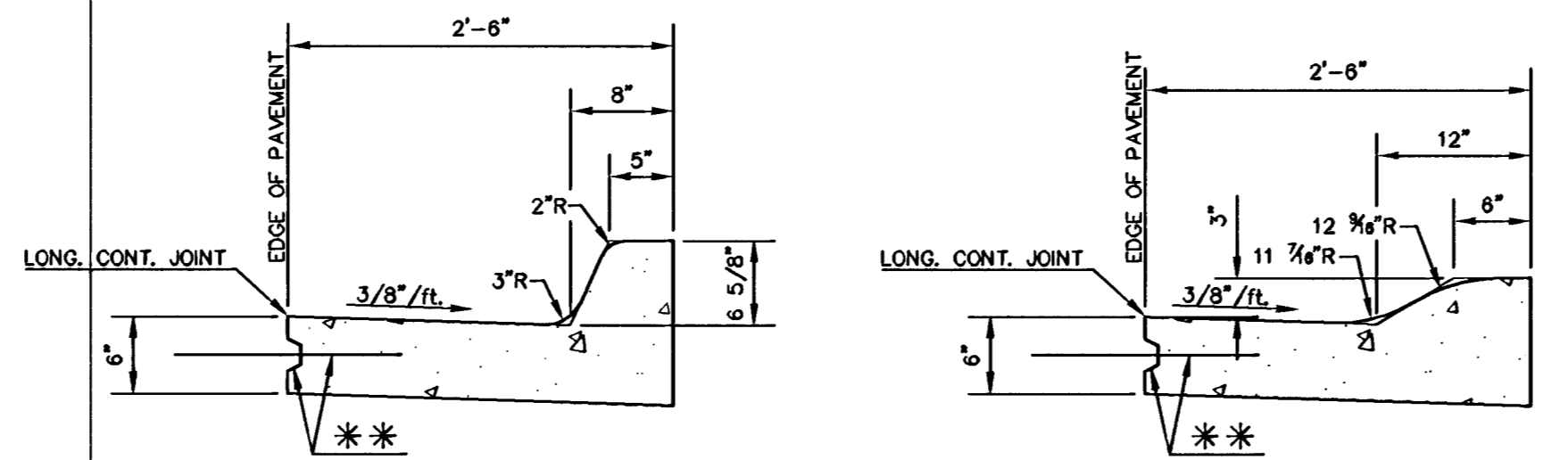
Note:  
A Construction Joint is required when the pour has been interrupted for a substantial length of time or at the end of a days pour.  
Transverse Construction Joints shall be sawed and filled as specified for Contraction Joints.



**PLAN**



**KEYWAY DETAIL**

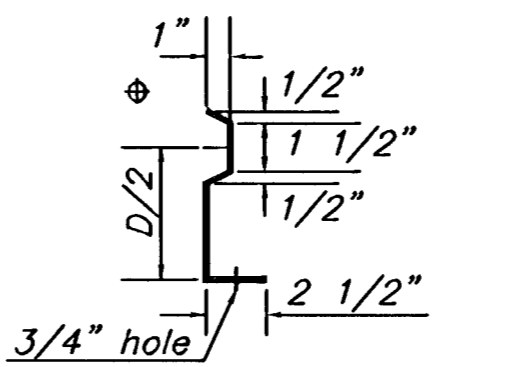


**COMBINED CURB & GUTTER**

**COMBINED ROLL TYPE CURB & GUTTER**

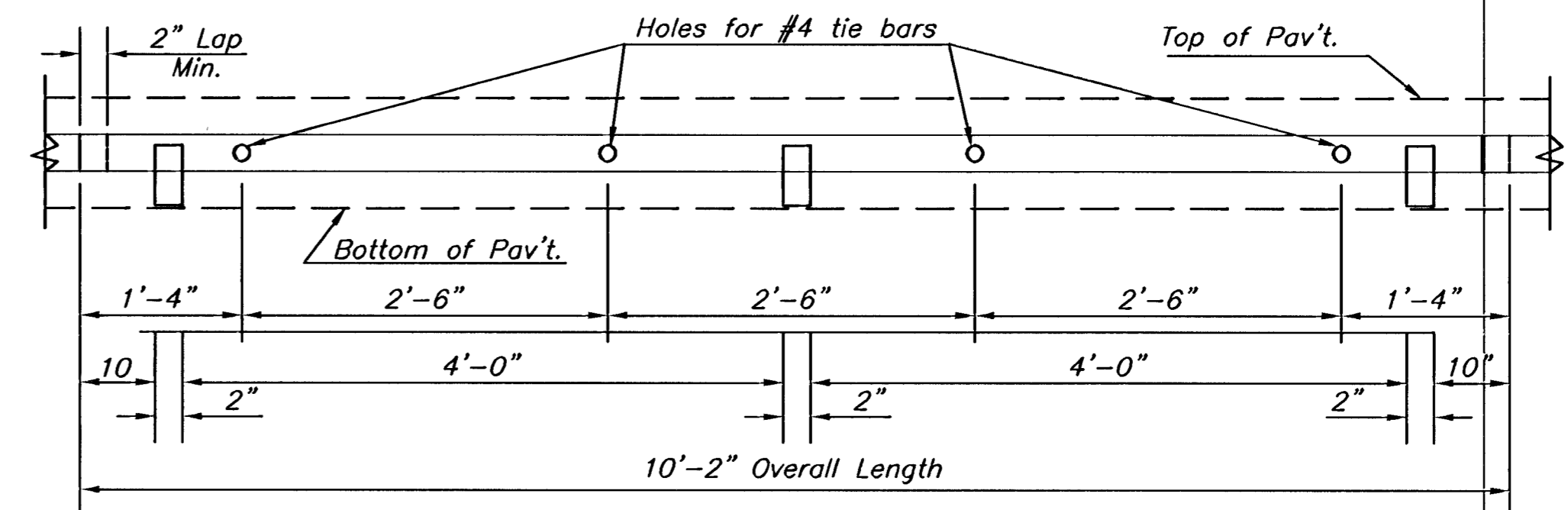
\*\* LONGITUDINAL CONSTRUCTION JOINT AND #4x1'-6" DEFORMED BARS AT 2'-6" CENTERS, WHERE CONCRETE PAVEMENT IS CONSTRUCTED.

\*\* LONGITUDINAL CONSTRUCTION JOINT AND #4x1'-6" DEFORMED BARS AT 2'-6" CENTERS, WHERE CONCRETE PAVEMENT IS CONSTRUCTED.



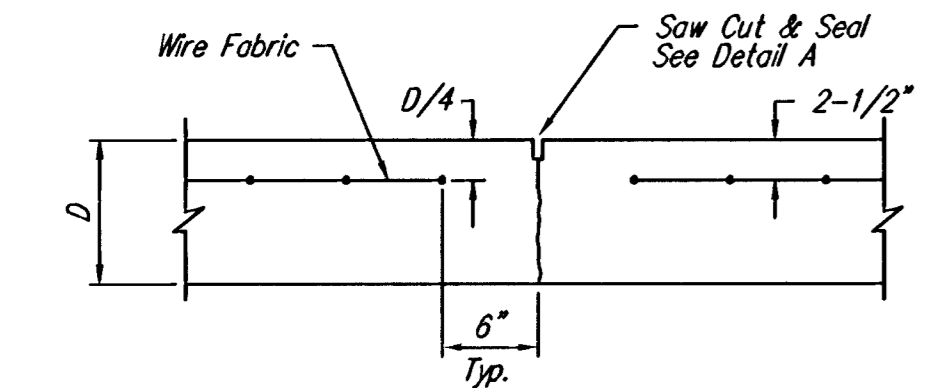
**SECTION OF RECESSED FORM LEG**

⊕ Snap-in leg or other approved designs may be used in lieu of welded leg.

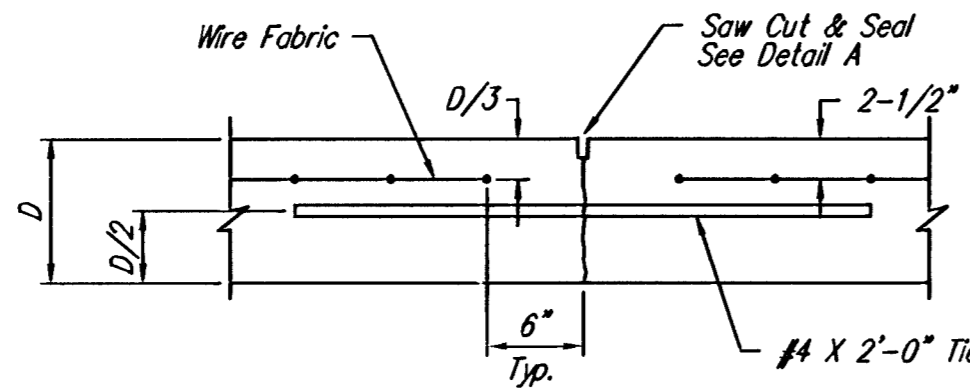


**METAL STRIP FOR LONGITUDINAL CONSTRUCTION JOINT**

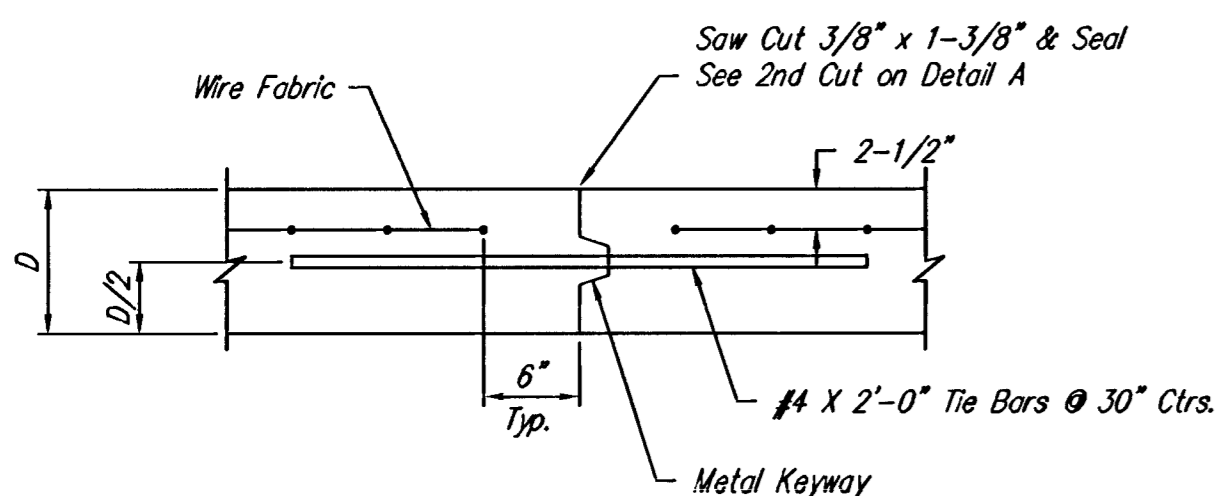
TO BE USED ONLY AGAINST FORMS. SHALL NOT EXTEND THROUGH CONTRACTION OR EXPANSION JOINTS. OTHER TYPES OF CONSTRUCTION SHALL BE PERMITTED WITH THE APPROVAL OF THE ENGINEER.



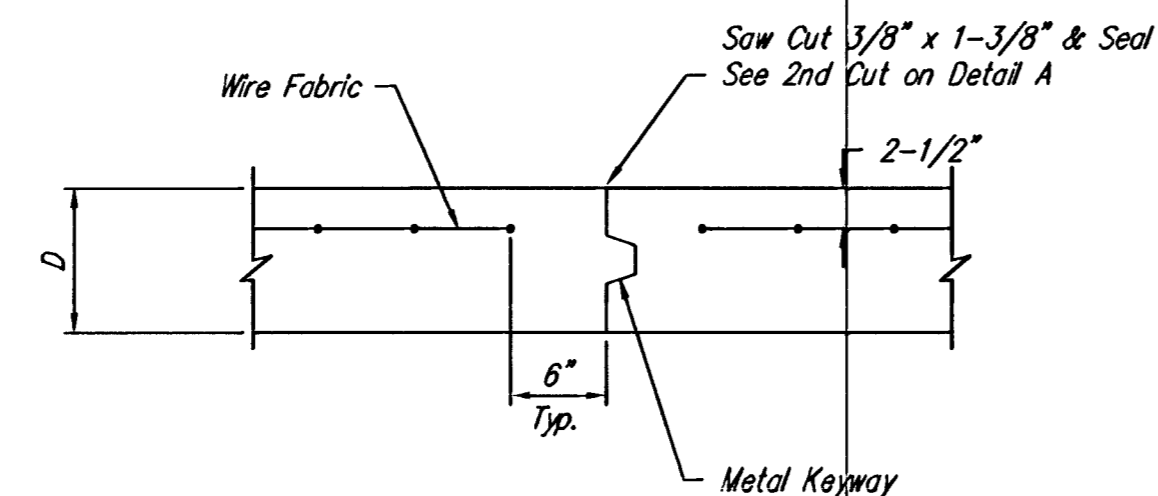
**CONTRACTION JOINT DETAIL (C.J.)**



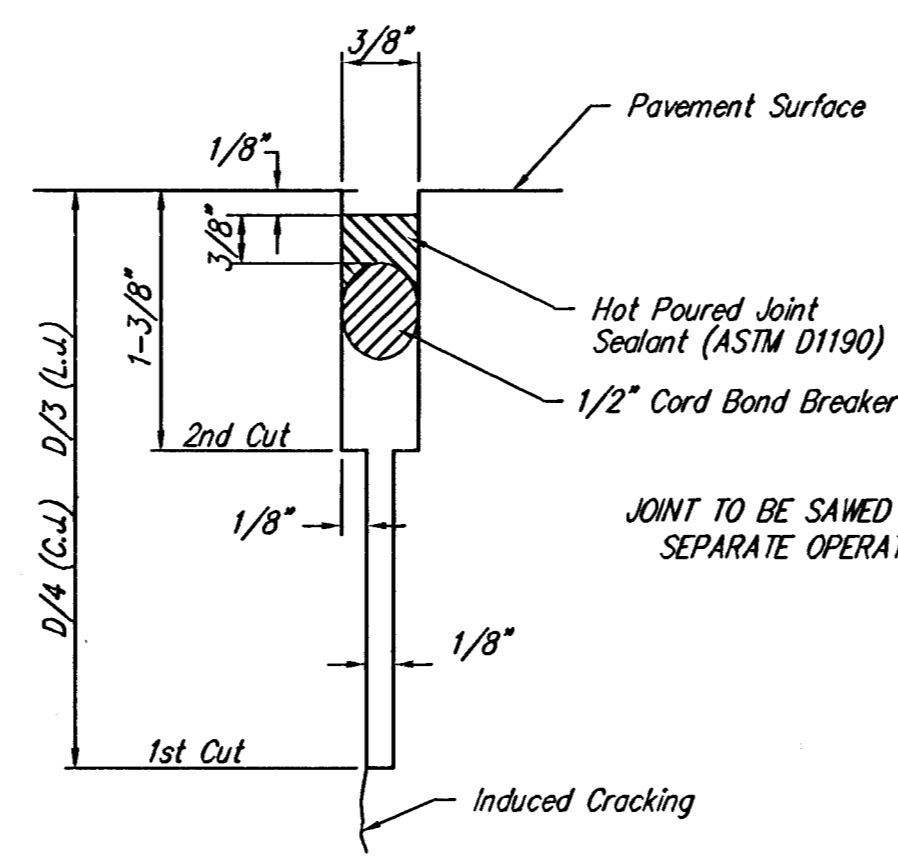
**LONGITUDINAL JOINT DETAIL (L.J.)**



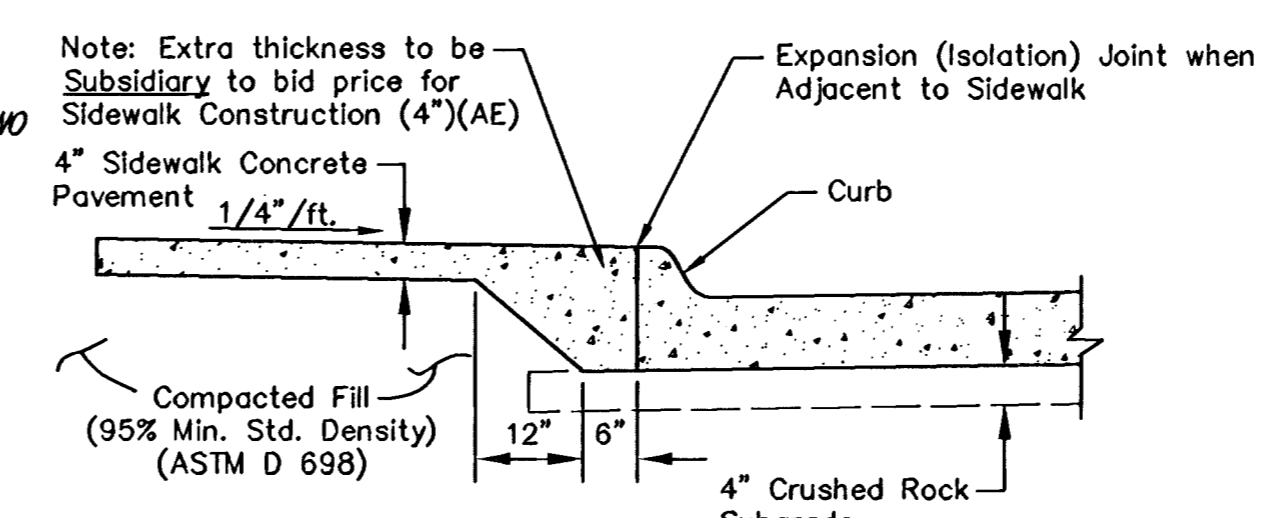
**OPTIONAL LONGITUDINAL JOINT DETAIL (L.J.)**



**OPTIONAL CONTRACTION JOINT DETAIL (C.J.)**



**SAW JOINT DETAIL**



**FULL SIDEWALK DETAIL**

<p><b>MKEC</b> ENGINEERING CONSULTANTS 411 N. WEBB ROAD WICHITA, KS. 67206 316-884-9600</p>	<p><b>MOSLEY CUL-DE-SAC</b> PROJECT NAME</p>		
	<p><b>TYPICAL SECTIONS &amp; MISC. DETAILS</b> SHEET TITLE</p>		
	<p>JRA DESIGN BY:</p>	<p>WNJ DRAWN BY:</p>	<p>JRA CHECKED BY:</p>
	<p>JULY 2007 DATE</p>	<p>04100 JOB NO.</p>	<p>2 / 7 SHEET/OF</p>